

PISTON RING SETS & CYLINDER LINERS

For Automotive Engines & Construction Machines

Vol. 35 ver. 1



NIPPON PISTON RING CO.,LTD.



▲Head Office 本社



▲Tochigi Plant 栃木工場



▲NPR Fukushima Works Co.,Ltd. (株)日ビス福島製造所



▲NPR Iwate Co.,Ltd./Ichinoseki Plant (株)日ビス岩手／一関工場



▲NPR Iwate Co.,Ltd./Senmaya Plant (株)日ビス岩手／千厩工場

Introducing **NPR**

Nippon Piston Ring Co., Ltd. was founded in 1931 as the first piston ring manufacturer in Japan. The company has been continuously engaged in the production of various engine components for over half a century.

Engines are constantly being developed and made more efficient. Manufacturers of engine parts, together with engine builders, have to meet the technical challenges modern designs present to them.

NPR has 18 engine test benches of its own, where its products are constantly tested and improved to ensure they are suitable for commercial use.

NPR's products are supplied to every manufacture of internal combustion engines in Japan. Many are also exported both as original equipment and after market parts to overseas market.

Abroad, NPR's international operation continues to expand with many agents and distributors in many countries.



CONTENTS

Short History of NPR	2	KIA	116
APPLICATION OF PISTON RING SETS	3	ASIA	119
DAIHATSU (ダイハツ)	8	CHRYSLER	120
SUBARU (スバル)	11	FORD	123
HINO (日野)	13	GM	126
HONDA (本田)	24	APPLICATION OF CYLINDER LINERS ...	131
ISUZU (いすゞ)	30	DAIHATSU (ダイハツ)	135
KOMATSU (小松)	44	HINO (日野)	136
MAZDA (マツダ)	47	ISUZU (いすゞ)	141
MITSUBISHI (三菱)	54	KOMATSU (小松)	147
NISSAN (日産)	69	MITSUBISHI (三菱)	148
UD TRUCKS (UDトラックス) (NISSAN DIESEL, 日産ディーゼル)	81	UD TRUCKS (UDトラックス) (NISSAN DIESEL, 日産ディーゼル)	152
SUZUKI (スズキ)	88	TOYOTA (トヨタ)	155
TOYOTA (トヨタ)	91	MAZDA (マツダ)	156
DAEWOO	109	KIA (キア)	157
HYUNDAI	111		

~1945

In order to commence local production of piston rings Tomonori Suzuki established in 1931 the Nippon Piston Ring Works in Kawaguchi, Saitama. Until that time all piston rings were imported into Japan. The new company was incorporated into Nippon Piston Ring Co., Ltd. in 1934 with a capital of ¥1 million. With the expanding demand for piston rings for use in trucks, aircrafts and ships NPR's production facilities were progressively enlarged and the Yono Plant was opened in 1939.

~1955

Production of piston rings was restarted in 1946 after the end of World War II. In 1950, NPR introduced for the first time in Japan, chrome plated piston rings for use in repaired automobile engines and in 1953 these were also adopted by original equipment engine manufacturers. In the same year, the company was authorized to use the Japan Industrial Standard notation for piston rings (JIS-8032).

~1965

Following on its success with chrome plating technology, NPR announced the development of Japan's first high strength cast irons, NIPPALLOY and UBALLOY. These were followed in 1968 with the boron cast iron TARKALLOY. All these alloys represented a major step forward in the development of wear resistance material and the technology was subsequently licensed to a number of companies, both Japanese and foreign. Today these materials are still specified as standard materials for engine components. In 1961, NPR introduced Japan's first steel rail three piece oil control ring known as NIFFLEX. This represented a major change in design of oil control rings which until this time had always been traditional cast iron type.

~1975

Emission control of automotive engines to reduce and limit air pollution became a major problem with all leading component manufactures called on to provide technical solution. NPR was in the forefront of development with piston rings for use in lead-free gasoline engines followed by new production of such valve train parts as valve seat inserts, camshafts and tappets. NPR's overseas activities were stepped up. Expanding its export marketing, NPR was commended in 1966 by the Ministry of International Trade and Industry (MITI) as a distinguished exporting enterprise.

~1985

Engine technology in Japan made remarkable progress during these years, leading to the achievement of unparalleled compactness, light weight and high performance, which won high reputation for Japanese built engines throughout the world. The production of

engines for construction machinery, forklifts and pumps, plus machinery for agriculture or horticulture also increased remarkably NPR products featured extensively in all these engines.

In 1982, production of cylinder liners, camshafts and sintered metal products was transferred to the new Fukushima Works. In 1984, NPR closed down its Kawaguchi Plant and opened its newly built Tochigi Plant in Nogi-machi, Tochigi, to give NPR a new production line-up comprising three factories—Yono, Tochigi and Fukushima.

~1995

This is a difficult and challenging era with an ever increasing range of requirements presenting themselves from international markets. As a dedicated and specialized manufacturer of functional components NPR continues in its efforts to meet these requirements from both domestic and overseas customers.

Production of narrow steel compression rings with special surface treatment, liners for aluminum cylinder blocks and composite sintered valve seat inserts has been increased to meet the requirement for fuel-efficient, high-performance and durable engine parts. In 1986, NPR commenced massive exports of P/M camshafts to U.S.A

In order to increase the production capacity of piston rings NPR established in 1990 the NPR Iwate/Senmaya. In 1992, NPR started series supply of big volume piston rings to Mercedes-Benz AG (present Daimler AG), Germany.

1996~

Aiming at a reliable global supplier, NPR is expanding the bases, both Japanese and foreign.

In Japan, NPR head office was moved from Tokyo to Saitama in 1998. In 2002, production of piston rings in Yono Plant (in Saitama) was transferred to the newly built NPR Iwate/Ichinoseki Plant, and in 2003, NPR closed down the Yono Plant.

NPR Head Office, Tochigi Plant, NPR Iwate, and NPR Fukushima Works, together were certified in ISO9001, QS9000, ISO14001, and ISO/TS16949:2002 with being recognized their excellence in quality control.

In 2004, NPR celebrated the 70th anniversary of foundation with thanks.

On the other hand, overseas production bases were expanded mainly for the business of piston rings/valve seat inserts, and NPR established production bases in ASEAN, China and North America, respectively.

Moreover, as for the overseas sales offices, NPR established NPR of Europe GmbH in Germany in 1999 as a sales base of OE supply to European automobile manufacturer, and established NPR Singapore Pte.Ltd in 2005. These resulted to give NPR a new overseas sales office line-up—U.S.A., Germany, Singapore, China, and South Korea.



You can check the latest version of NPR's catalog on the following website.

<http://www.npr-japan.com>



Click here!



NIPPON PISTON RING CO.,LTD.

5-12-10, Honmachi-Higashi, Chuo-ku Saitama-City, Saitama JAPAN

A496A-3-1501-400(TOP)

PISTON RING SETS



● EXPLANATION OF NPR PRODUCT CODE No. / セットコードNo.の解説

Example

SW T10 105 ZZ

Maker Code

Drawing No.

ZZ·ZY : STD.Spec

ZX : "SS999"Spec

● MAKER CODE

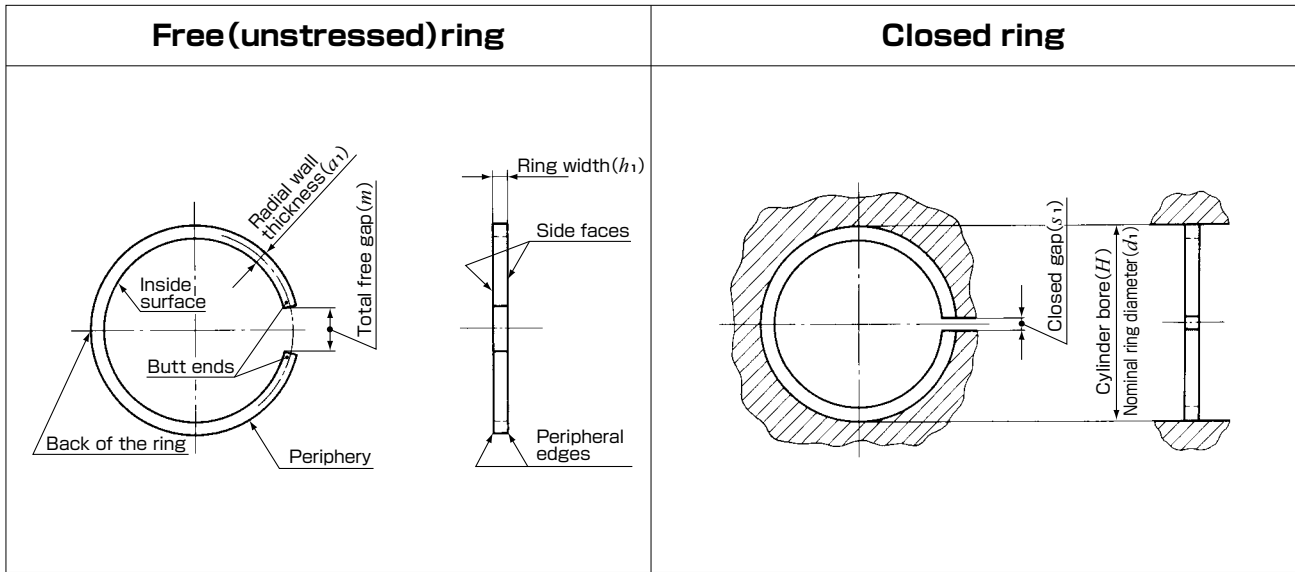
D10 : DAIHATSU	S20 : SUZUKI
F20 : SUBARU	T10 : TOYOTA
H20 : HINO	T20 : MAZDA
H30 : HONDA	A20 : ASIA
I10 : ISUZU	D20 : DAEWOO
K04 : KOMATSU	G30 : HYUNDAI
M30 : MITSUBISHI	K30 : KIA
M31 : MITSUBISHI	C10 : CHRYSLER
N30 : NISSAN	F30 : FORD
N31 : UD TRUCKS	G10 : GM

● Cross-section configuration · Material / 断面形状・材料

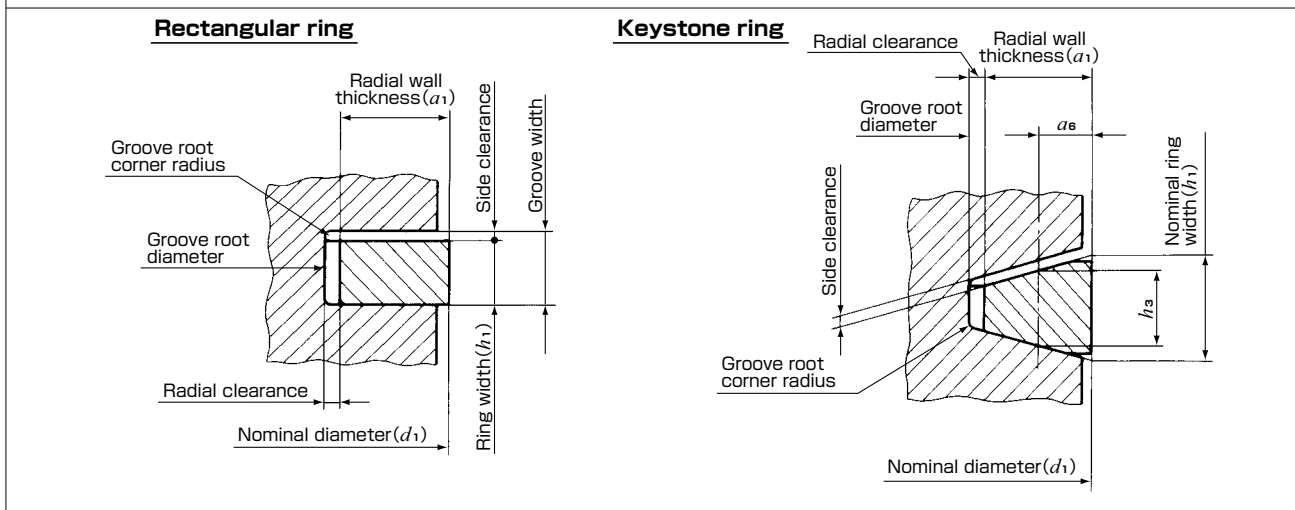
Cross-section configuration / Configuration Code		Material code : Material name
	P	CR : NPR cast iron
	BF	HB : NIPPALLOY (Spheroidal graphite cast iron)
	T1 B1-T1	SR : Steel
	IB	● Code : Surface treatment
	BF-IB · BF-IC	Fe : Phosphated
	T1-IB	Cr : Chromium plated
	IC	GN : Nitrided
	T1-IC	PC : PVD
	T1-RB	W : No coating
	B1-TUC B1-UC	C1 · BC1 · BC3 BC16 (Cutter oil control ring)
	TUC UC	E-C1 · E-C3 E-BC1 · E-BC3 · E-BC16 (2-Piece oil control ring)
	NIFF-S · NIFF-H	(3-Piece oil control ring)

Above figures show basic cross-section configuration but not in detail.

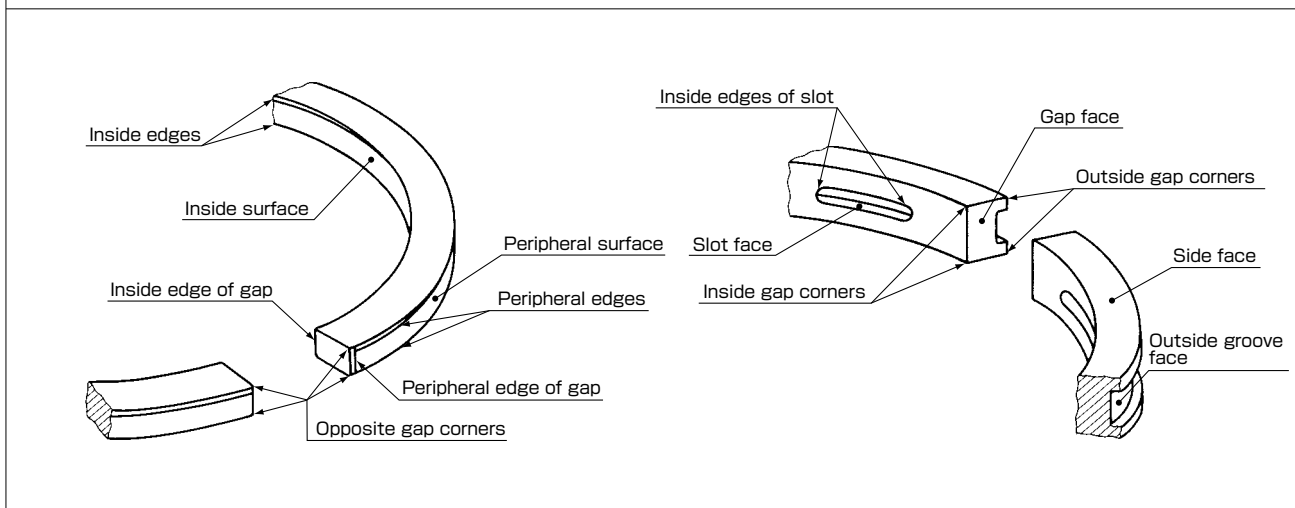
● Piston ring nomenclature and symbols / ピストンリング各部の名称と記号



Ring clearances / ピストン装着状態



Edges, surfaces and faces / エッジ部及び各面の名称



● Piston ring types / ピストンリングの形状

Compression ring			Oil control ring		
Cross-section configuration	Rectangular ring		Cross-section configuration	Slotted oil control ring	
	Keystone ring			Bevelled-edge oil control ring	
	Half Keystone ring			Double-bevelled oil control ring	
	Scraper ring (stepped)			Coil spring loaded slotted oil control ring	
	Napier ring (undercut step)			Coil spring loaded bevelled-edge oil control ring	
Face configuration	Straight-faced			Coil spring loaded double-bevelled oil control ring	
	Barrel-faced			Expander/Segment oil control ring	
	Taper-faced				

Edge configuration	
Internal bevel top (positive twist type)	
Internal step top (positive twist type)	
Internal bevel bottom (negative twist type)	
Internal step bottom (negative twist type)	
Inside edges chamfered	
Outside edges chamfered	
Inside and outside edges chamfered	

Joint configuration	
Joint with side notch	
Joint with internal notch	
Joint (straight)	
Oblique joint (angle)	
Stepped joint (angle)	

● Gasoline-engine Automobiles ● ガソリン車 ●

Engine Type	Exhaust quantity (c.c.)	Vehicle Model Chassis Type	NPR Catalog Code	Cyl No.	Position	Size (mm)			Shape	Material	Surface Treatment		Reference
						d 1 (D)	h 1 (B)	a 1 (T)			Outside	Upper/Lower	
EB	547	Mira	SWD10029ZZ	3	1st	62.0	1.2	2.5	BF-IB	SR	Cr	Fe	13011-87206
					2nd	62.0	1.5	2.5	T1	CR	Fe	Fe	13011-87222
					Oil	62.0	2.8	2.8	NIFF-S	SR	GN	GN	
KF-VE KF-VE3	658	Pixis	SWD10049ZZ	3	1st	63.0	1.0	2.27	BF-IB	SR	Cr	Fe	13011-B2020
					2nd	63.0	1.2	2.3	TUC	CR	Fe	Fe	13011-B2021
					Oil	63.0	2.0	2.35	NIFF-H	SR	Cr	Fe	13011-B2041
		Mira Move Esse	SWD10052ZZ	3	1st	63.0	1.0	2.25	BF-IB	SR	Cr	Fe	13011-B2091
					2nd	63.0	1.0	2.1	TUC	SR	Fe	Fe	
					Oil	63.0	1.5	2.2	NIFF-H	SR	Cr	Fe	
ED-10	847	Mira Cuore	SWD10045ZZ	3	1st	66.6	1.2	2.5	BF	SR	GN	GN	13011-87208
					2nd	66.6	1.5	2.8	TUC	CR	Fe	Fe	13011-87232
					Oil	66.6	2.8	2.55	NIFF-S	SR	GN	GN	
			SWD10051ZZ	3	1st	66.6	1.2	2.3	BF	SR	GN	GN	13011-97209
					2nd	66.6	1.2	2.6	TUC	CR	Fe	Fe	
					Oil	66.6	2.0	2.2	NIFF-H	SR	GN	GN	
FE051	958	Belrina	SWD10020ZZ	4	1st	68.0	2.0	3.0	T1	CR	Cr	Fe	13011-87103
					2nd	68.0	2.0	3.0	T1	CR	Fe	Fe	
					Oil	68.0	4.0	3.1	NIFF-S	SR	Cr	Fe	
EF	659	Mira Move Hijet Opti Atray	SWD10033ZZ	3	1st	68.0	1.2	2.67	BF-IB	SR	Cr	Fe	13011-87219
					2nd	68.0	1.5	2.8	TUC	CR	Fe	Fe	
					Oil	68.0	2.8	2.55	NIFF-S	SR	Cr	Fe	
		SWD10044ZZ	3	1st	68.0	1.2	2.67	BF-IB	SR	Cr	Fe	13011-97204-A	
				2nd	68.0	1.2	2.8	TUC	CR	Fe	Fe	13011-97203	
				Oil	68.0	2.5	2.5	NIFF-S	SR	Cr	Fe		
EF-VD	659	Mira	SWD10046ZZ	3	1st	68.0	1.0	2.1	BF-IB	SR	GN	GN	13011-97206
					2nd	68.0	1.2	2.2	TUC	CR	Cr	Fe	
					Oil	68.0	2.0	2.25	NIFF-H	SR	GN	GN	
CD	843	Charade	SWD10028ZZ	3	1st	70.0	1.5	2.65	BF	SR	Cr	Fe	13011-87712
					2nd	70.0	1.5	3.1	T1	CR	Fe	Fe	13013-87710(0.5)
					Oil	70.0	2.8	2.85	NIFF-S	SR	GN	GN	
1KR-VE	998	Siga	SWT10265ZZ	3	1st	71.0	1.0	2.3	BF-IB	SR	GN	GN	13011-BZ150
					2nd	71.0	1.0	2.3	TUC	SR	Fe	Fe	
					Oil	71.0	2.0	2.2	NIFF-H	SR	GN	GN	

Engine Type	Exhaust quantity (c.c.)	Vehicle Model Chassis Type	NPR Catalog Code	Cyl No.	Position	Size (mm)			Shape	Material	Surface Treatment		Reference	
						d 1 (D)	h 1 (B)	a 1 (T)			Outside	Upper/Lower		
AB AB10 AB20 AB30 AB40 AB50 AB55	547	Fellow Max	SWD10023ZZ	2	1st	71.6	1.5	3.0	BF	CR	Cr	Fe	13011-87710	
		Mira			2nd	71.6	1.5	3.0	TUC	CR	Fe	Fe	13011-87714	
		Wide Cab			Oil	71.6	2.8	3.35	NIFF-S	SR	Cr	Fe	13011-87701	
		Hijet												13011-87702
														13011-87705
												13011-87709		
950G	952	Vanguard	SWD10041ZZ	3	1st	72.0	1.5	3.0	BF	CR	Cr	Fe	13011-87803	
					2nd	72.0	1.5	2.9	T1	CR	Fe	Fe		
					Oil	72.0	2.8	2.55	NIFF-S	SR	Cr	Fe		
EJ-DE	989	Mira Gino Storia	SWD10047ZZ	3	1st	72.0	1.2	2.45	BF-IB	SR	Cr	Fe	13011-97201-000	
					2nd	72.0	1.2	2.9	TUC	CR	Fe	Fe	13011-97202	
					Oil	72.0	2.5	2.55	NIFF-S	SR	Cr	Fe		
K3-VE K3-DE K3-VE2 K3-VET	1,297	Storia Terios	SWD10050ZZ	4	1st	72.0	1.2	2.45	BF-IB	SR	Cr	Fe	13011-97401-000	
					2nd	72.0	1.2	2.6	TUC	CR	Fe	Fe		
					Oil	72.0	2.0	2.3	NIFF-H	SR	Cr	Fe		
EJ-VE	989	Cuore Mira Gino 1000 Storia Trevis Viva	SWD10053ZZ	3	1st	72.0	1.2	2.5	BF-IB	SR	GN	GN	13011-BZ020-B	
					2nd	72.0	1.2	2.3	TUC	HB	Fe	Fe		
					Oil	72.0	2.0	2.25	NIFF-H	SR	GN	GN		
1NR-VE	1,329	Avanza Xenia Sirion Bezza	SWD10054ZZ	4	1st	72.5	1.2	2.5	BF	SR	GN	GN	13011-0Y030	
					2nd	72.5	1.0	2.3	TUC	SR	Fe	Fe		
					Oil	72.5	2.0	2.25	NIFF-H	SR	GN	GN		
CB-10 CB-20	993	Charade	SWD10024ZZ	3	1st	76.0	1.5	3.1	T1	CR	Cr	Fe	13011-87704	
					2nd	76.0	1.5	3.1	T1	CR	Fe	Fe	13011-87708	
					Oil	76.0	2.8	3.15	NIFF-S	SR	Cr	Fe		
HD-E HD-E1 HD-EG HD-EP HD-F1	1,589	Feroza	SWD10034ZZ	4	1st	76.0	1.2	2.7	BF-IB	SR	Cr	Fe	13011-87110	
					2nd	76.0	1.5	3.2	TUC	CR	Fe	Fe		
					Oil	76.0	3.0	2.55	NIFF-S	SR	Cr	Fe		
HC-E HC-EH HC-F	1,295	Charade Feroza Rocky	SWD10031ZZ	4	1st	76.0	1.2	2.85	BF-IB	SR	Cr	Fe	13011-87104	
					2nd	76.0	1.5	3.2	T1	CR	Fe	Fe	13011-87105	
					Oil	76.0	3.0	2.85	NIFF-S	SR	GN	GN	13011-87106	
													13011-87107	
													13011-87108	
													13011-87109	
CB90	997	Charade	SWD10036ZZ	3	1st	76.0	1.5	2.9	BF	SR	GN	GN	13011-87727	
					2nd	76.0	1.5	3.1	T1	CR	Cr	Fe		
					Oil	76.0	2.8	2.55	NIFF-S	SR	GN	GN		

● Diesel-engine Automobiles ● ディーゼル車 ●

Engine Type	Exhaust quantity (c.c.)	Vehicle Model Chassis Type	NPR Catalog Code	Cyl No.	Position	Size (mm)			Shape	Material	Surface Treatment		Reference
						d 1 (D)	h 1 (B)	a 1 (T)			Outside	Upper/Lower	
CL-10	993	Charade	SJD10042ZZ	3	1st	76.0	2.0	3.3	BF-K3	HB	Cr	Cr	13011-87717
					2nd	76.0	1.5	3.1	T1	CR	Cr	Cr	13011-87723A
					Oil	76.0	3.0	3.4	E-BC3	HB	Cr	Fe	
DF	2,270	DV202	SJD10010ZZ	4	1st	85.0	2.0	3.5	T1	CR	Cr	Cr	922-4223-1410
					2nd	85.0	2.0	3.5	T1	CR	Fe	Fe	
					3rd	85.0	2.0	3.5	T1	CR	Fe	Fe	
					Oil	85.0	4.0	4.4	E-C1	CR	Cr	Fe	
DG	2,530	Truck D300 DV32L SV32	SJD10012ZZ	4	1st	88.0	2.0	3.8	T1	CR	Cr	Cr	992-5113-1410-00
					2nd	88.0	2.0	3.8	T1	CR	Fe	Fe	
					3rd	88.0	2.0	3.8	T1	CR	Fe	Fe	
					Oil 1	88.0	4.0	4.0	E-C1	CR	Cr	Fe	
					Oil 2	88.0	4.0	3.8	C1	CR	Cr	Fe	
	DV26T	SJD10021ZZ	4	1st	88.0	2.0	3.8	T1	CR	Cr	Cr	13011-87304	
				2nd	88.0	2.0	3.8	T1	CR	Fe	Fe		
				3rd	88.0	2.0	3.8	T1	CR	Fe	Fe		
				Oil	88.0	4.0	4.0	E-C1	CR	Cr	Fe		
	Delta (New) Taft Small Bus FSOV Truck (V23・24・25 ・26)	SJD10025ZZ	4	1st	88.0	2.5	3.8	BF-IB	CR	Cr	Cr	13011-87305	
				2nd	88.0	2.0	3.8	T1	CR	Cr	Fe	13011-87307	
Oil				88.0	4.0	4.1	E-BC3	CR	Cr	Fe	13011-87308		
											13011-87306		
DL(NEW)	2,765	Delta	SDD10026ZZ	4	1st	92.0	2.5	3.6	BF	HB	Cr	Fe	13011-87320A
					2nd	92.0	2.0	3.8	T1	CR	Cr	Fe	13011-87310
					Oil	92.0	4.0	3.7	E-BC16	CR	Cr	Fe	13011-87311 13011-87312 13011-87313
DL	2,765	Delta	SJD10026ZZ	4	1st	92.0	2.5	3.8	BF	CR	Cr	Cr	13011-87320A
					2nd	92.0	2.0	3.8	T1	CR	Cr	Fe	13011-87310
					Oil	92.0	4.0	4.1	E-BC3	CR	Cr	Fe	13011-87311 13011-87312 13011-87313
DL-T	2,765	Taft Delta	SDD10048ZZ	4	1st	92.0	2.5	3.45	BF-K2	SR	Cr	Fe	13011-87317-000
					2nd	92.0	2.0	3.8	T1	CR	Cr	Fe	
					Oil	92.0	4.0	4.35	E-BC16	SR	GN	GN	

● Gasoline-engine Automobiles ● ガソリン車 ●

Engine Type	Exhaust quantity (c.c.)	Vehicle Model Chassis Type	NPR Catalog Code	Cyl No.	Position	Size (mm)			Shape	Material	Surface Treatment		Reference
						d 1 (D)	h 1 (B)	a 1 (T)			Outside	Upper/Lower	
EN07	658	Pleo Rex Vivio	SWF20076ZZ	4	1st	56.0	1.2	2.25	BF-IB	SR	Cr	Fe	12033-KA790
					2nd	56.0	1.2	2.45	T1-IB	CR	Fe	Fe	
					Oil	56.0	2.0	2.25	NIFF-H	SR	Cr	Fe	
E42 EK42	665	Subaru Rex	SWF20052ZZ	2	1st	78.0	1.2	3.0	BF	SR	Cr	Fe	48003-5600
					2nd	78.0	1.5	3.3	T1	CR	Cr	Fe	48003-5610
					Oil	78.0	2.8	2.8	NIFF-S	SR	Cr	Fe	
EF10	997	Domingo Justy	SWF20054ZZ	3	1st	78.0	1.2	3.0	BF	SR	Cr	Fe	48003-5800
EF12					1,189	2nd	78.0	1.5	3.3	T1	CR	Cr	
	Oil	78.0				2.8	2.8	NIFF-S	SR	Cr	Fe		
FB16	1,599	Impreza sport 1.6i	SWF20074ZZ	4	1st	78.8	1.0	2.47	BF-IB	SR	Cr	Fe	12033-AC270
					2nd	78.8	1.0	2.5	TUC	SR	Fe	Fe	
					Oil	78.8	2.0	2.45	NIFF-H	SR	Cr	Fe	
E625 EA62	1,267	Subaru 1300G	SWF20010ZZ	4	1st	82.0	2.0	3.8	T1	CR	Cr	Fe	88003-8600
					2nd	82.0	2.0	3.6	T1	CR	Fe	Fe	
					Oil	82.0	4.0	3.8	NIFF-S	SR	Cr	Fe	
EA65	1,298	Subaru 1300G	SWF20032ZZ	4	1st	83.0	1.2	3.25	BF	SR	Cr	Fe	48003-7010
					2nd	83.0	1.5	3.6	T1	CR	Fe	Fe	
					Oil	83.0	4.0	3.6	NIFF-S	SR	Cr	Fe	
FB20	1,995	Forester Impreza VX	SWF20073ZZ	4	1st	84.0	1.0	2.67	BF-IB	SR	Cr	Fe	12033-AC210
					2nd	84.0	1.0	2.7	TUC	SR	Fe	Fe	12033-AC220
					Oil	84.0	2.0	2.45	NIFF-H	SR	Cr	Fe	12033-AC230
E63S EA63	1,361	Subaru Leone 1400	SWF20014ZZ	4	1st	85.0	2.0	3.9	T1	CR	Cr	Fe	38003-0110
					2nd	85.0	2.0	3.9	T1	CR	Fe	Fe	
					Oil	85.0	4.0	3.25	NIFF-S	SR	Cr	Fe	
FA20	1,998	BRZ Forester Impreza Legacy Levorg WRX	SWF20075ZZ (TCC-J-0071)	4	1st	86.0	1.2	2.7	BF	SR	GN	GN	12033-AC300
					2nd	86.0	1.0	2.7	TUC	SR	Fe	Fe	SU003-00145
					Oil	86.0	2.0	2.45	NIFF-H	SR	PC	W	
EJ18	1,820	Impreza Legacy	SWF20043ZZ	4	1st	87.9	1.2	3.1	BF-IB	SR	Cr	Fe	12033-AA090
					2nd	87.9	1.5	3.6	TUC	CR	Fe	Fe	
					Oil	87.9	3.0	3.1	NIFF-S	SR	Cr	Fe	
EZ30	2,999	Legacy B4 Outback Legacy Touring Wagon	SWF20070ZZ	6	1st	89.2	1.2	3.05	BF-IB	SR	Cr	Fe	12033-AB130
					2nd	89.2	1.2	3.6	TUC	CR	Fe	Fe	
					Oil	89.2	2.5	2.9	NIFF-H	SR	Cr	Fe	

Engine Type	Exhaust quantity (c.c.)	Vehicle Model Chassis Type	NPR Catalog Code	Cyl No.	Position	Size (mm)			Shape	Material	Surface Treatment		Reference	
						d 1 (D)	h 1 (B)	a 1 (T)			Outside	Upper / Lower		
EA71	1,595	Subaru Leone 1600 (SEECT)	SWF20017ZZ	4	1st	92.0	2.0	4.0	BF	CR	Cr	Fe	38003-4320	
					2nd	92.0	2.0	4.0	T1	CR	Fe	Fe	38003-4300	
					Oil	92.0	4.0	3.9	NIFF-S	SR	Cr	Fe		
EJ20	1,994	Legacy Forester	SWF20044ZZ	4	1st	92.0	1.5	3.3	BF-IB	SR	Cr	Fe	12033-AA610	
					2nd	92.0	1.5	3.7	TUC	CR	Fe	Fe		
					Oil	92.0	3.0	3.1	NIFF-S	SR	Cr	Fe		
		Legacy	SWF20060ZZ	4	1st	92.0	1.2	3.3	BF-IB	SR	Cr	Fe	12033-AB070	
					2nd	92.0	1.2	3.8	TUC	CR	Fe	Fe	12033-AB100	
					Oil	92.0	2.5	2.8	NIFF-S	SR	Cr	Fe	12033-AB160	
													12033-AB220	
Legacy	SWF20051ZZ	4	1st	92.0	1.2	3.3	BF-IB	SR	Cr	Fe	12033-AA640			
			2nd	92.0	1.5	3.7	TUC	CR	Fe	Fe				
			Oil	92.0	3.0	3.1	NIFF-S	SR	Cr	Fe				
EA71(NEW)	1,595	Alcyone Subaru Leone	SWF20057ZZ	4	1st	92.0	1.2	3.3	BF	SR	Cr	Fe	12033-AA000	
EA81	1,781				2nd	92.0	1.5	3.7	T1	CR	Fe	Fe	12033-AA320	
EA82	1,781				Oil	92.0	4.0	3.65	NIFF-S	SR	Cr	Fe	48003-7100	
EJ20	1,994	Legacy	SWF20063ZZ	4	1st	92.0	1.2	3.3	BF-IB	SR	Cr	Fe	12033-AB820	
					2nd	92.0	1.2	3.8	TUC	CR	Fe	Fe		
					Oil	92.0	2.0	2.7	NIFF-H	SR	Cr	Fe		
EZ36	3,629	Outback	SWF20069ZZ	6	1st	92.0	1.2	3.3	BF-IB	SR	Cr	Fe	12033-AC060	
					2nd	92.0	1.2	3.8	TUC	CR	Fe	Fe	12033-AC180	
					Oil	92.0	2.0	2.7	NIFF-H	SR	Cr	Fe		
FB25	2,498	Forester Legacy Wagon Legacy B4 Exiga	TCC-M-0181	4	1st	94.0	1.0		BF-IB	SR	GN	GN	12033-AC90A	
					2nd	94.0	1.0		TUC	SR	Fe	Fe	12033-AC240	
					Oil	94.0	2.0		NIFF-H	SR	Cr	Fe		
EJ22	2,212	Legacy	SWF20045ZZ	4	1st	96.9	1.2	3.25	BF-IB	SR	Cr	Fe	12033-AA210	
					2nd	96.9	1.5	3.9	TUC	CR	Fe	Fe		
					Oil	96.9	3.0	3.3	NIFF-S	SR	Cr	Fe		
			Legacy	SWF20067ZZ	4	1st	96.9	1.5	3.25	BF-IB	SR	Cr	Fe	12033-AA390
						2nd	96.9	1.5	3.9	TUC	CR	Fe	Fe	12033-AA450
						Oil	96.9	3.0	3.3	NIFF-S	SR	Cr	Fe	12033-AA570
EJ25D	2,457	Legacy Forester	SWF20064ZZ	4	1st	99.5	1.2	3.45	BF-IB	SR	Cr	Fe	12033-AA760	
					2nd	99.5	1.5	4.0	TUC	CR	Fe	Fe		
					Oil	99.5	2.8	3.1	NIFF-S	SR	Cr	Fe		
EJ251 EJ252 EJ259	2,457	Legacy Forester	SWF20066ZZ	4	1st	99.5	1.2	3.45	BF-IB	SR	Cr	Fe	12033-AB010	
					2nd	99.5	1.2	4.0	TUC	CR	Fe	Fe	12033-AB020	
					Oil	99.5	2.5	2.8	NIFF-S	SR	Cr	Fe		
EJ257 EJ255 EJ253	2,457	Subaru Impreza	SWF20068ZZ	4	1st	99.5	1.2	3.45	BF-IB	SR	Cr	Fe	12033-AB340	
					2nd	99.5	1.2	4.0	TUC	CR	Fe	Fe	12033-AB250	
					Oil	99.5	2.0	2.7	NIFF-H	SR	Cr	Fe		

● Diesel-engine Automobiles ● ディーゼル車 ●

Engine Type	Exhaust quantity (c.c.)	Vehicle Model Chassis Type	NPR Catalog Code	Cyl No.	Position	Size (mm)			Shape	Material	Surface Treatment		Reference
						d 1 (D)	h 1 (B)	a 1 (T)			Outside	Upper/Lower	
DM100	4,313	Truck KM300 KM320 KM330 KM340 KM350 KM410 KM450 KM320D Bus RM100 BM320 Tractor HM320 HM301	SCH20004ZZ	6	1st	90.0	2.5	3.7	T1	CR	Cr	Fe	13001-1350
					2nd	90.0	2.5	3.7	T1	CR	Fe	Fe	13011-1350A
					3rd	90.0	2.5	3.7	BL-TUC	CR	Fe	Fe	3352120507
					Oil 1	90.0	4.0	3.7	BC1	CR	Cr	Fe	3352193901
					Oil 2	90.0	4.0	3.7	BC1	CR	Fe	Fe	
DQ100	4,507	Ranger	SCH20032ZZ	6	1st	92.0	2.5	3.9	T1	CR	Cr	Fe	13011-1360A
					2nd	92.0	2.5	3.9	T1	CR	Fe	Fe	
					3rd	92.0	2.5	3.9	BL-TUC	CR	Fe	Fe	
					Oil 1	92.0	4.0	3.9	BC1	HB	Cr	Fe	
					Oil 2	92.0	4.0	3.9	BC1	CR	Fe	Fe	
EC100	5,010	Truck KL300 Bus RL100 Tractor HL300	SCH20005ZZ	6	1st	97.0	2.5	4.2	BF	HB	Cr	Fe	13011-1390
					2nd	97.0	2.5	4.3	T1-IC	CR	Fe	Fe	13019-1140A(cyl)
					3rd	97.0	2.5	4.3	BL-TUC	CR	Fe	Fe	
					Oil 1	97.0	4.0	4.3	C1	HB	Cr	Fe	
					Oil 2	97.0	4.0	4.3	BC3	CR	Fe	Fe	
W04D	4,009	Ranger 3.5ton Rainbow	SDH20038ZX	4	1st	104.0	2.5	3.85	BF	SR	Cr	Fe	13011-1973
					2nd	104.0	2.0	4.3	T1	CR	Fe	Fe	13011-2540
					Oil	104.0	5.0	4.85	E-BC16	SR	GN	GN	13019-1150A(cyl)
W04C-TI	3,839	Rainbow	SJH20068ZZ	4	1st	104.0	2.806	4.3	BF-K1	HB	Cr	Cr	13011-2891A
					2nd	104.0	2.5	4.3	T1-IC	CR	Cr	Cr	13019-1180A(cyl)
					Oil	104.0	4.0	4.35	E-BC16	SR	GN	GN	
W04D-J N04C-A	4,009	Dutro Ranger Liesse	SDH20099ZZ	4	1st	104.0	2.5	3.7	BF	SR	GN	GN	13011-3950A
					2nd	104.0	2.0	4.3	T1	CR	Fe	Fe	13019-1190A(cyl)
					Oil	104.0	4.0	4.35	E-BC16	SR	GN	GN	13011-E0110
W04C-T	3,839	Bus Rainbow RW RB145	SDH20047ZX	4	1st	104.0	2.806	3.7	BF-K1	SR	GN	GN	13011-2270A
					2nd	104.0	2.5	4.3	T1-IC	CR	Fe	Fe	13011-2270C
					Oil	104.0	5.0	4.85	E-BC3	CR	Cr	Fe	13011-2550B 13019-1160A(cyl)
N04C-T	4,009	Dutro Toyoace Dyna	SDH20101ZY	4	1st	104.0	2.5	3.7	BF	SR	GN	GN	13011-4020A
					2nd	104.0	2.0	3.7	T1	SR	GN	GN	
					Oil	104.0	4.0	4.35	E-BC16	SR	GN	GN	

Engine Type	Exhaust quantity (c.c.)	Vehicle Model Chassis Type	NPR Catalog Code	Cyl No.	Position	Size (mm)			Shape	Material	Surface Treatment		Reference
						d 1 (D)	h 1 (B)	a 1 (T)			Outside	Upper / Lower	
W06D	5,759	AC Rainbow	SDH20041ZX	6	1st	104.0	2.5	3.85	BF	SR	Cr	Fe	13011-1983
					2nd	104.0	2.0	4.3	T1	CR	Fe	Fe	13011-2440
					Oil	104.0	5.0	4.85	E-BC16	SR	GN	GN	13011-2550B
W06D-TI	6,014	Ranger	SJH20055ZZ	6	1st	104.0	2.806	4.3	BF-K1	HB	Cr	Cr	13011-2610A
					2nd	104.0	2.5	4.3	T1-IC	CR	Cr	Cr	13011-2680A
					Oil	104.0	5.0	4.7	E-BC3	CR	Cr	Fe	13011-2950A
W04D-TK	4,009	Ranger	SDH20103ZX	4	1st	104.0	2.806	3.7	BF-K1	SR	GN	GN	13011-4080B
		Dutro			2nd	104.0	2.0	4.3	T1	CR	Fe	Fe	13011-4080C
		Rainbow			Oil	104.0	4.0	4.35	E-BC16	SR	GN	GN	13011-E0200 13011-1170A (cyl) S1304-E0160 (cyl)
DS70 DS90	7,013	Truck	SCH20006ZZ	6	1st	105.0	3.0	4.2	T1	CR	Cr	Fe	13011-1210
		KC300 KC320			2nd	105.0	3.0	4.2	BI-TUC	CR	Fe	Fe	13011-1550
		TE11 TE61			3rd	105.0	3.0	4.2	BI-TUC	CR	Fe	Fe	13011-1550A
		TE61D			Oil 1	105.0	4.5	4.2	BC1	HB	Fe	Fe	13019-1220A(cyl)
		Bus			Oil 2	105.0	4.5	4.2	BC1	HB	Fe	Fe	
EH100	5,871	Truck	SCH20021ZX	6	1st	105.0	2.5	3.85	BF	SR	Cr	Fe	13011-1150
		BH15 KL500			2nd	105.0	2.5	4.3	T1-IC	CR	Fe	Fe	13019-1210A(cyl)
		HL100			3rd	105.0	2.5	4.3	BI-TUC	CR	Fe	Fe	
		Bus			Oil 1	105.0	4.0	4.3	C1	CR	Cr	Fe	
		BX320			Oil 2	105.0	4.0	4.3	BC3	CR	Fe	Fe	
		Tractor HL100											
H07B-TI	6,224	For Marine	SDH20089ZZ	6	1st	105.8	2.948	3.95	BF-K1	SR	GN	GN	13011-3630A
					2nd	105.8	2.0	4.40	T1-IC	HB	Cr	Fe	13019-1240A(cyl)
					Oil	105.8	4.0	4.35	E-BC16	SR	GN	GN	
H06B-TI	6,224	Ranger	SDH20097ZZ	6	1st	105.8	2.806	3.95	BF-K1	SR	Cr	Fe	13011-3850A
					2nd	105.8	2.5	4.4	T1-IC	HB	Cr	Fe	
					3rd	105.8	2.5	4.4	BI-TUC	HB	Cr	Fe	
					Oil	105.8	4.0	4.15	E-BC16	SR	Cr	Fe	
			SDH20064ZZ	6	1st	105.8	2.806	3.95	BF-K1	SR	Cr	Fe	13011-E0440
					2nd	105.8	2.5	4.4	T1-IC	HB	Cr	Fe	
					3rd	105.8	2.5	4.4	BI-TUC	HB	Cr	Fe	
					Oil	105.8	5.0	4.7	E-BC3	HB	Cr	Fe	
EH300	6,211	Truck	SDH20022ZX	6	1st	108.0	3.0	4.05	BF	SR	Cr	Fe	13011-1032
		KR301			2nd	108.0	2.5	4.5	T1-IC	CR	Cr	Fe	13011-1032A
		KL501			Oil 1	108.0	5.0	4.95	E-BC16	SR	GN	GN	13011-1062
		Bus			Oil 2	108.0	4.0	4.5	BC3	CR	Fe	Fe	
RL300													
RD300													

Engine Type	Exhaust quantity (c.c.)	Vehicle Model Chassis Type	NPR Catalog Code	Cyl No.	Position	Size (mm)			Shape	Material	Surface Treatment		Reference
						d 1 (D)	h 1 (B)	a 1 (T)			Outside	Upper/Lower	
H06C-TA	6,485	Ranger 4.25ton FD	SDH20037ZX	6	1st	108.0	2.806	4.05	BF-K1	SR	Cr	Fe	13011-1961
					2nd	108.0	2.5	4.5	T1-IC	CR	Fe	Fe	13011-2450B
					3rd	108.0	2.5	4.5	Bl-TUC	CR	Cr	Fe	13011-3200A
					Oil	108.0	5.0	4.95	E-BC16	SR	GN	GN	13019-1260A(cyl)
H06C EH500	6,485	Ranger 4E	SDH20042ZX	6	1st	108.0	3.0	4.05	BF	SR	Cr	Fe	13011-2080
					2nd	108.0	2.5	4.5	T1-IC	CR	Fe	Fe	13011-2081B
					3rd	108.0	2.5	4.5	Bl-TUC	CR	Cr	Fe	13019-1750A(cyl)
					Oil	108.0	5.0	4.95	E-BC16	SR	GN	GN	
H06C-TI	6,485	Ranger Selega	SDH20075ZZ	6	1st	108.0	2.806	4.5	BF-K1-IC	HB	Cr	Fe	13011-3281A
					2nd	108.0	2.5	4.5	T1-IC	CR	Fe	Fe	13019-1270A(cyl)
					3rd	108.0	2.5	4.5	Bl-TUC	CR	Cr	Fe	
					Oil	108.0	4.0	4.15	E-BC16	SR	Cr	Fe	
			SJH20084ZZ	6	1st	108.0	2.806	4.5	BF-K1-IC	HB	Cr	Fe	13011-3520A
					2nd	108.0	2.0	4.5	T1-IC	HB	Cr	Cr	13019-1280A(cyl)
					3rd	108.0	2.0	4.5	Bl-TUC	HB	Cr	Fe	
					Oil	108.0	4.0	4.15	E-BC16	SR	Cr	Fe	
DS50 DS60 DS80	7,982	Truck TA14 TA14D TC51 TH17 TH61 TH80 TH320 TH340D 2C440 2C340D 2H11D 2H12D 2K11 2L100 Bus BD15 BD15F BD35 BD35P BG13 BH15 BT51 BT51S BT71 RB10 RB10P RB120 RB120P	SCH20007ZZ	6	1st	110.0	3.0	4.5	T1	CR	Cr	Fe	13011-1230
					2nd	110.0	3.0	4.5	T1	CR	Fe	Fe	13011-1250
					3rd	110.0	3.0	4.5	TUC	CR	Fe	Fe	13011-1261
					Oil 1	110.0	4.5	4.5	BC1	CR	Cr	Fe	13011-1650
			SJH20007ZZ	6	Oil 2	110.0	4.5	4.5	BC1	CR	Fe	Fe	13011-1830
					1st	110.0	3.0	4.5	T1	CR	Cr	Cr	13011-1680
					2nd	110.0	3.0	4.5	T1	CR	Fe	Fe	
					3rd	110.0	3.0	4.5	TUC	CR	Fe	Fe	
					Oil 1	110.0	4.5	4.4	E-BC3	CR	Cr	Fe	
					Oil 2	110.0	4.5	4.5	BC1	CR	Fe	Fe	
EH700 H07C	6,443	Ranger 4D Ranger 5 Ranger 7D Truck KLSD KP6D	SDH20043ZX	6	1st	110.0	3.0	4.1	BF	SR	GN	GN	13011-1610B
					2nd	110.0	2.5	4.5	T1-IC	CR	Fe	Fe	13011-1620
					3rd	110.0	2.5	4.5	Bl-TUC	CR	Cr	Fe	13011-1620A
					Oil	110.0	5.0	4.95	E-BC16	SR	GN	GN	13011-1620B
													13011-2070A
													13011-2090
								13011-3010A					
								13011-3020A					
								13011-3120A					
								13019-1310A(cyl)					

Engine Type	Exhaust quantity (c.c.)	Vehicle Model Chassis Type	NPR Catalog Code	Cyl No.	Position	Size (mm)			Shape	Material	Surface Treatment		Reference
						d 1 (D)	h 1 (B)	a 1 (T)			Outside	Upper / Lower	
H07D	7,412	Ranger	SDH20056ZX	6	1st	110.0	3.0	4.1	BF	SR	GN	GN	13011-2650A
					2nd	110.0	2.0	4.5	T1-IC	CR	Cr	Fe	13011-2651A
					Oil	110.0	4.0	4.35	E-BC16	SR	GN	GN	13019-1300A(cyl)
H07CT	6,728	Ranger SD	SDH20057ZX	6	1st	110.0	2.806	4.05	BF-K1	SR	Cr	Fe	13011-2672A
					2nd	110.0	2.0	4.5	T1-IC	CR	Cr	Fe	13019-3270A
					3rd	110.0	2.5	4.5	BI-TUC	CR	Cr	Fe	13019-1330A(cyl)
					Oil	110.0	4.0	4.35	E-BC16	SR	GN	GN	
			SJH20079ZZ	6	1st	110.0	2.806	4.5	BF-K1-IC	HB	Cr	Fe	13011-3470A
					2nd	110.0	2.0	4.5	T1-IC	HB	Cr	Cr	13011-3510A
					3rd	110.0	2.0	4.5	BI-TUC	HB	Cr	Fe	13019-1340A(cyl)
					Oil	110.0	4.0	4.35	E-BC16	SR	GN	GN	
J08B-TI			SDH20098ZY	6	1st	110.9	2.948	3.9	BF-K1	SR	GN	GN	13011-3860A
					2nd	110.9	2.0	4.6	TUC	HB	Cr	Fe	13011-3930A
					Oil	110.9	4.0	4.45	E-BC16	SR	GN	GN	13019-1360A(cyl)
A09C	8,866	Truck Profia FH FR FS FN GN FQ	SDH20107ZZ	6	1st	112.0	2.948	4.1	BF-K1	SR	GN	GN	13011-E0060
					2nd	112.0	2.0	4.3	T1	SR	GN	GN	
					Oil	112.0	4.0	4.35	E-BC16	SR	GN	GN	
J05E	5,123	Truck Ranger hybrid	SDH20108ZY	4	1st	112.0	2.5	4.1	BF	SR	GN	GN	13011-E0350
					2nd	112.0	2.0	4.3	T1	SR	GN	GN	13019-1120A(cyl)
					Oil	112.0	4.0	4.35	E-BC16	SR	GN	GN	
J08E	7,684	Ranger	SDH20102ZY	6	1st	112.0	2.5	4.1	BF	SR	GN	GN	13011-4040A
					2nd	112.0	2.0	4.3	T1	SR	GN	GN	13019-1120A(cyl)
					Oil	112.0	4.0	4.35	E-BC16	SR	GN	GN	
J07E	6,403	Ranger Melpha	SDH20104ZY	5	1st	112.0	2.5	4.1	BF	SR	GN	GN	13011-4050A
					2nd	112.0	2.0	4.3	T1	SR	GN	GN	13019-1120A(cyl)
					Oil	112.0	4.0	4.35	E-BC16	SR	GN	GN	
			SDH20109ZZ	5	1st	112.0	2.948	4.1	BF-K1	SR	GN	GN	13011-E0370
					2nd	112.0	2.0	4.3	T1	SR	GN	GN	
					Oil	112.0	4.0	4.35	E-BC16	SR	GN	GN	

Engine Type	Exhaust quantity (c.c.)	Vehicle Model Chassis Type	NPR Catalog Code	Cyl No.	Position	Size (mm)			Shape	Material	Surface Treatment		Reference
						d 1 (D)	h 1 (B)	a 1 (T)			Outside	Upper/Lower	
J05C	5,307	Ranger Dutro Melpha Liesse	SDH20081ZX	4	1st	114.0	3.0	4.1	BF	SR	GN	GN	13011-3391B
					2nd	114.0	2.0	4.3	T1-IB	SR	GN	GN	13019-1380A(cyl)
					Oil	114.0	4.0	4.35	E-BC16	SR	GN	GN	
			SDH20086ZY	4	1st	114.0	2.5	4.3	BF	SR	GN	GN	13011-3880A
					2nd	114.0	2.0	4.3	T1	SR	GN	GN	13011-3940A
					Oil	114.0	4.0	4.35	E-BC16	SR	GN	GN	13019-1010B(cyl) 13011-3221A 13019-1370A(cyl) S1304-E0210
J07C	6,634	Ranger	SDH20087ZY	5	1st	114.0	2.5	4.3	BF	SR	GN	GN	13011-3660A
					2nd	114.0	2.0	4.3	T1	SR	GN	GN	13011-3900A
					Oil	114.0	4.0	4.35	E-BC16	SR	GN	GN	13019-1010B(cyl)
			SDH20082ZX	5	1st	114.0	3.0	4.1	BF	SR	GN	GN	13011-3371B
					2nd	114.0	2.0	4.3	T1	SR	GN	GN	13011-3771A
					Oil	114.0	4.0	4.35	E-BC16	SR	GN	GN	13019-1380A(cyl)
J08C	7,961	Selega Ranger Rainbow	SDH20067ZX	6	1st	114.0	3.0	4.1	BF	SR	GN	GN	13011-2960A
					2nd	114.0	2.0	4.3	T1	SR	GN	GN	13011-2961A
					Oil	114.0	4.0	4.35	E-BC16	SR	GN	GN	13011-2962A 13019-1380A(cyl)
			SDH20088ZY	6	1st	114.0	2.5	4.3	BF	SR	GN	GN	13011-3570A
					2nd	114.0	2.0	4.3	T1	SR	GN	GN	13011-3820A
					Oil	114.0	4.0	4.35	E-BC16	SR	GN	GN	13011-3890B 13019-1010B(cyl)
			SWH20090ZX	6	1st	114.0	3.0	4.1	BF	SR	GN	GN	13011-3060A
					2nd	114.0	2.0	4.3	T1	SR	GN	GN	13019-1390A(cyl)
					Oil	114.0	4.0	3.40	NIFF-S	SR	GN	GN	
EL100	7,862	Truck Ranger 7E FG185 LB760	SDH20029ZX	6	1st	116.0	3.0	4.25	BF	SR	Cr	Fe	13011-1700
					2nd	116.0	2.5	4.8	T1-IC	CR	Fe	Fe	13011-1700B
					3rd	116.0	2.5	4.8	BI-TUC	CR	Cr	Fe	13011-1710
					Oil	116.0	5.0	4.95	E-BC16	SR	GN	GN	
P09B-TI	8,501	For Marine	SJH20046ZZ	6	1st	117.8	3.306	4.1	BF-K1	SR	GN	GN	13011-2280A
					2nd	117.8	2.806	4.8	T1-K1-IC	HB	Cr	Cr	13011-2830A
					3rd	117.8	2.5	4.8	BI-TUC	CR	Cr	Fe	(Stationary Engine)
					Oil	117.8	5.0	4.7	E-BC3	HB	Cr	Fe	13019-1440A(cyl)
P10C-TI	9,880		SDH20083ZZ	6	1st	117.8	3.306	4.1	BF-K1	SR	GN	GN	13011-3420A
					2nd	117.8	2.306	4.8	T1-K1-IC	HB	Cr	Fe	13019-1450A(cyl)
					3rd	117.8	2.0	4.8	BI-TUC	HB	Cr	Fe	
					Oil	117.8	4.0	4.65	E-BC16	SR	Cr	Fe	

Engine Type	Exhaust quantity (c.c.)	Vehicle Model Chassis Type	NPR Catalog Code	Cyl No.	Position	Size (mm)			Shape	Material	Surface Treatment		Reference			
						d 1 (D)	h 1 (B)	a 1 (T)			Outside	Upper / Lower				
DK10 DK20	10,178	Truck KA300 KF700 KF720 TC30 TC320 Bus RC10-P RC100 RC120 RC120P RC140P RC300 RC300-P RC320 Tractor HE100 HF300 HF301 HH700 HH720	SJH20012ZZ	6	1st	120.0	3.5	4.6	BF	HB	Cr	Cr	13011-1200			
					2nd	120.0	3.5	4.6	T1-IC	CR	Fe	Fe	13011-1270			
					3rd	120.0	3.5	4.6	BI-TUC	CR	Fe	Fe	13011-1280			
					Oil 1	120.0	5.0	4.5	E-BC3	CR	Cr	Fe	13011-1280A			
					Oil 2	120.0	5.0	4.6	BC1	HB	Cr	Fe	13011-1290			
																3311-1205-05
EB300	9,838	Dump Truck KB112D	SDH20017ZZ	6	1st	120.0	3.5	4.6	BF	HB	Cr	Fe	12011-1330			
					2nd	120.0	3.5	4.6	T1-IC	CR	Fe	Fe	13011-1720			
					3rd	120.0	3.5	4.6	BI-TUC	CR	Fe	Fe	12011-1730A			
					Oil	120.0	6.0	5.5	E-BC3	CR	Cr	Fe	3334-1205-09			
EB400	9,838	RE	SDH20027ZY	6	1st	120.0	3.306	4.8	BF-K1	HB	Cr	Fe	13011-1630			
					2nd	120.0	3.0	4.6	T1-IC	CR	Fe	Fe	13011-1640			
					3rd	120.0	3.0	4.6	BI-TUC	CR	Cr	Fe	13011-1640A			
					Oil	120.0	6.0	5.5	E-BC3	CR	Cr	Fe	13011-2330B 13019-1470A(cyl) 13019-1500A(cyl)			
EP100 P09C-TA	8,821	Super Dolphin FN288 11.5ton	SDH20034ZX	6	1st	120.0	3.306	4.45	BF-K1	SR	Cr	Fe	13011-1952			
					2nd	120.0	2.806	4.8	T1-K1-IC	CR	Cr	Fe	13019-1480A(cyl)			
					3rd	120.0	2.5	4.8	BI-TUC	CR	Cr	Fe				
					Oil	120.0	5.0	4.95	E-BC16	SR	GN	GN				
			SDH20050ZZ	6	1st	120.0	3.306	4.45	BF-K1	SR	Cr	Fe	13011-2370A			
					2nd	120.0	3.0	4.6	T1-IC	CR	Cr	Fe	13011-2760A			
					3rd	120.0	2.5	4.8	BI-TUC	CR	Cr	Fe	13011-2760B			
					Oil	120.0	5.0	4.95	E-BC16	SR	GN	GN	13019-1490A(cyl) 13011-E0540 S1304-E0480(cyl)			

Engine Type	Exhaust quantity (c.c.)	Vehicle Model Chassis Type	NPR Catalog Code	Cyl No.	Position	Size (mm)			Shape	Material	Surface Treatment		Reference
						d 1 (D)	h 1 (B)	a 1 (T)			Outside	Upper/Lower	
P11C P11B-TI	10,520	Blue Ribbon Super Dolphin Profia	SDH20073ZZ	6	1st	122.0	3.306	4.1	BF-K1	SR	GN	GN	13011-3110A
					2nd	122.0	2.306	4.8	T1-K1-IC	HB	Cr	Fe	13011-3111A
					3rd	122.0	2.0	4.8	BL-TUC	HB	Cr	Fe	13011-3112A
					Oil	122.0	4.0	4.65	E-BC16	SR	Cr	Fe	13011-3114A 13011-3114B 13011-3114C 13011-3800A 13011-3830A 13011-3870A 13019-1030B(cyl) 13019-1520A(cyl) 13011-3810A 13011-3811A 13019-1510A
EM100	9,419	Super Dolphin FH228 8ton	SDH20033ZX	6	1st	124.0	2.806	4.45	BF-K1	SR	Cr	Fe	13011-1921A
					2nd	124.0	2.5	5.0	T1-IC	CR	Cr	Fe	13019-1540A(cyl)
					3rd	124.0	3.0	5.0	BL-TUC	CR	Cr	Fe	
					Oil	124.0	5.0	4.95	E-BC16	SR	GN	GN	
M10-U	9,880	Bus Blue Ribbon HU	SDH20049ZY	6	1st	127.0	3.306	5.2	BF-K1	HB	Cr	Fe	13011-2250A
					2nd	127.0	3.0	5.0	T1-IC	HB	Cr	Fe	13011-2860A
					3rd	127.0	3.0	5.2	BL-TUC	CR	Cr	Fe	13019-1550A(cyl)
					Oil	127.0	5.0	5.0	E-BC3	CR	Cr	Fe	
ED100	11,581	Truck (Export spec) HE35 HH130	SDH20020ZZ	6	1st	128.0	3.5	4.8	BF	HB	Cr	Fe	13011-1470
					2nd	128.0	3.5	4.8	T1-IC	HB	Cr	Fe	13011-1480
					3rd	128.0	3.5	4.8	BL-TUC	CR	Fe	Fe	13011-1660
					Oil	128.0	6.0	5.5	E-BC3	CR	Cr	Fe	13011-1670 13011-1670A
			SDH20048ZZ	6	1st	128.0	4.0	4.8	BF	HB	Cr	Fe	13011-2230A
					2nd	128.0	4.0	4.8	T1-IC	HB	Cr	Fe	
					3rd	128.0	3.5	4.8	BL-TUC	CR	Fe	Fe	
					Oil	128.0	6.0	5.5	E-BC3	CR	Cr	Fe	
ER200	11,581	RC	SDH20045ZZ	6	1st	128.0	3.5	4.8	BF	HB	Cr	Fe	13011-1770
					2nd	128.0	3.0	4.8	T1-IC	CR	Fe	Fe	13011-1770B
					3rd	128.0	3.0	4.8	BL-TUC	CR	Cr	Fe	
					Oil	128.0	6.0	5.5	E-BC3	CR	Cr	Fe	

Engine Type	Exhaust quantity (c.c.)	Vehicle Model Chassis Type	NPR Catalog Code	Cyl No.	Position	Size (mm)			Shape	Material	Surface Treatment		Reference
						d 1 (D)	h 1 (B)	a 1 (T)			Outside	Upper / Lower	
EF100 EF100T	13,804	Truck HE345 TC701 Bus HE345 TC701	SDH20018ZZ	V8	1st	130.0	3.306	5.2	BF-K1	HB	Cr	Fe	13011-1180
					2nd	130.0	3.5	5.4	T1-IC	CR	Fe	Fe	13011-1180A
					3rd	130.0	3.5	5.4	BI-TUC	CR	Fe	Fe	13011-1570
					Oil	130.0	6.0	5.5	E-BC3	CR	Cr	Fe	13011-1570A 13011-1580 13011-1590 13011-1590A 3391-1205-04 13019-1460A(cyl)
EF300 EF350	14,332	Truck TC702D KF703D ZM704D	SDH20024ZZ	V8	1st	132.0	3.306	5.2	BF-K1	HB	Cr	Fe	13011-1100
					2nd	132.0	3.5	5.4	T1-IC	CR	Fe	Fe	13011-1101
					3rd	132.0	3.5	5.4	BI-TUC	CR	Cr	Fe	13011-1091A
					Oil	132.0	6.0	5.5	E-BC3	CR	Cr	Fe	13011-1091B 13019-1560A(cyl)
K13B-TI			SJH20074ZZ	6	1st	132.9	3.306	4.5	BF-K1	SR	GN	GN	13011-3210A
					2nd	132.9	3.5	5.4	T1-IC	HB	Cr	Cr	13019-1570A (cyl)
					3rd	132.9	3.5	5.4	BI-TUC	CR	Cr	Fe	
					Oil	132.9	5.0	5.5	E-BC3	HB	Cr	Fe	
EG100 EF550	14,886 16,260	Truck KB500D KS320 ZM102 TC541 Bus RV530P 550P Tractor WG300 HF350	SDH20019ZX	V8	1st	135.0	3.306	4.7	BF-K1	SR	GN	GN	13011-1131
					2nd	135.0	3.5	5.4	T1-IC	CR	Fe	Fe	13011-1131B
					3rd	135.0	3.5	5.4	BI-TUC	CR	Cr	Fe	13011-1460
					Oil	135.0	6.0	5.5	E-BC3	CR	Cr	Fe	
EF550	16,260	Super Dolphin	SDH20039ZX	V8	1st	135.0	2.806	5.4	BF-K1	HB	Cr	Fe	13011-2010A
					2nd	135.0	3.5	5.4	T1-IC	CR	Fe	Fe	13019-1590A(cyl)
					3rd	135.0	3.0	5.4	BI-TUC	CR	Cr	Fe	
					Oil	135.0	5.0	4.95	E-BC16	SR	Cr	Fe	
			SDH20058ZX	V8	1st	135.0	3.306	4.7	BF-K1	SR	GN	GN	13011-2700
					2nd	135.0	3.5	5.4	T1-IC	CR	Fe	Fe	
					3rd	135.0	3.5	5.4	BI-TUC	CR	Cr	Fe	
					Oil	135.0	5.0	4.95	E-BC16	SR	Cr	Fe	

Engine Type	Exhaust quantity (c.c.)	Vehicle Model Chassis Type	NPR Catalog Code	Cyl No.	Position	Size (mm)			Shape	Material	Surface Treatment		Reference		
						d 1 (D)	h 1 (B)	a 1 (T)			Outside	Upper/Lower			
K13C	12,882	Truck Ranger Super Dolphin Profia	SJH20051ZZ	6	1st	135.0	3.306	5.4	BF-K1	HB	Cr	Fe	13011-2410A		
					2nd	135.0	3.5	5.4	T1-IC	HB	Cr	Cr	13019-1580A(cyl)		
					3rd	135.0	3.5	5.4	Bl-TUC	CR	Cr	Fe			
					Oil	135.0	6.0	5.5	E-BC3	HB	Cr	Fe			
				FS FR FN	SJH20071ZX	6	1st	135.0	3.306	4.7	BF-K1	SR	GN	GN	13011-3090A
							2nd	135.0	3.5	5.4	T1-IC	HB	Cr	Cr	13011-2841A
							3rd	135.0	3.5	5.4	Bl-TUC	CR	Cr	Fe	
							Oil	135.0	5.0	4.95	E-BC16	SR	Cr	Fe	
					SJH20085ZZ	6	1st	135.0	3.306	5.4	BF-K1	HB	Cr	Fe	13011-3540A
							2nd	135.0	3.5	5.4	T1-IC	HB	Cr	Cr	
							3rd	135.0	3.5	5.4	Bl-TUC	CR	Cr	Fe	
							Oil	135.0	4.0	4.65	E-BC16	SR	Cr	Fe	
K13C	12,882	Truck Ranger Super Profia	SDH20092ZY	6	1st	135.0	3.306	4.7	BF-K1	SR	GN	GN	13011-3790A		
					2nd	135.0	3.5	5.4	T1-IC	CR	Fe	Fe			
					3rd	135.0	3.5	5.4	Bl-TUC	CR	Cr	Fe			
					Oil	135.0	5.0	4.95	E-BC16	SR	Cr	Fe			
F17D	17,238	FS FR FN FW SH RU	SDH20095ZY	V8	1st	137.0	3.306	4.7	BF-K1	SR	GN	GN	13011-3770A		
					2nd	137.0	3.5	5.4	T1-IC	CR	Fe	Fe	13019-1090B(cyl)		
					3rd	137.0	3.5	5.4	Bl-TUC	CR	Cr	Fe			
					Oil	137.0	4.0	4.15	E-BC16	SR	GN	GN			
EK100 EK200 EK130T	13,267	Truck TC303D KF301D ZM103D KB501D KS321	SDH20023ZX	6	1st	137.0	3.306	4.7	BF-K1	SR	GN	GN	13011-1010		
					2nd	137.0	3.5	5.4	T1-IC	CR	Fe	Fe	13011-1011		
					3rd	137.0	3.5	5.4	Bl-TUC	CR	Cr	Fe	13011-1021		
					Oil	137.0	6.0	5.5	E-BC3	CR	Cr	Fe	13011-1021B		
														13011-2210	
														13011-3750B	
										13019-1610A(cyl)					
EF700 EF750	15,920	Tractor HE HH TC	SDH20025ZX	V8	1st	137.0	3.306	4.7	BF-K1	SR	GN	GN	13011-1111		
					2nd	137.0	3.5	5.4	T1-IC	CR	Fe	Fe	13011-1112		
					3rd	137.0	3.5	5.4	Bl-TUC	CR	Cr	Fe	13011-1121		
	16,745					Oil	137.0	6.0	5.5	E-BC3	CR	Cr	Fe	13011-1121B	
														13011-1122	
														13011-2170B	
										13011-2180					
										13019-1610A(cyl)					

Engine Type	Exhaust quantity (c.c.)	Vehicle Model Chassis Type	NPR Catalog Code	Cyl No.	Position	Size (mm)			Shape	Material	Surface Treatment		Reference
						d 1 (D)	h 1 (B)	a 1 (T)			Outside	Upper / Lower	
EV700	19,900	Truck SH HE526 SS TC562	SDH20028ZZ	V10	1st	137.0	3.306	5.4	BF-K1	HB	Cr	Fe	13011-1741
					2nd	137.0	3.5	5.4	T1-IC	CR	Fe	13011-1741B	
					3rd	137.0	3.5	5.4	BI-TUC	CR	Cr	13011-1751	
					Oil	137.0	6.0	5.5	E-BC3	CR	Cr	13011-2200A 13019-1610A(cyl)	
EF700T EF750T	15,920	Bus RU60/63	SDH20031ZX	V8	1st	137.0	3.306	4.7	BF-K1	SR	GN	GN	13011-1890
	16,745				2nd	137.0	3.306	5.4	T1-K1-IC	CR	Cr	Fe	13011-1891
					3rd	137.0	3.5	5.4	BI-TUC	CR	Cr	Fe	13011-3100B
					Oil	137.0	6.0	5.5	E-BC3	CR	Cr	Fe	13019-1640A(cyl) 13019-1680A(cyl)
EF750	16,745	FN SS SH FS	SDH20040ZZ	V8	1st	137.0	2.806	5.4	BF-K1	HB	Cr	Fe	13011-1990A
					2nd	137.0	3.5	5.4	T1-IC	CR	Fe	13019-1670A(cyl)	
					3rd	137.0	3.0	5.4	BI-TUC	CR	Cr	Fe	
					Oil	137.0	5.0	5.0	E-BC3	CR	Cr	Fe	
F17D EF750	17,238	Selega Super Dolphin	SDH20059ZX	V8	1st	137.0	3.306	4.7	BF-K1	SR	GN	GN	13011-2710A
	16,745				2nd	137.0	3.5	5.4	T1-IC	HB	Cr	Fe	
					3rd	137.0	3.5	5.4	BI-TUC	CR	Cr	Fe	
					Oil	137.0	5.0	4.95	E-BC16	SR	Cr	Fe	
K13D	13,267	Super Dolphin	SDH20061ZX	6	1st	137.0	3.306	4.7	BF-K1	SR	GN	GN	13011-2770
					2nd	137.0	3.5	5.4	T1-IC	HB	Cr	Fe	13011-2771B
					3rd	137.0	3.5	5.4	BI-TUC	CR	Cr	Fe	13019-1620A(cyl)
					Oil	137.0	5.0	4.95	E-BC16	SR	Cr	Fe	
F17D-TI	17,238	Selega Super Dolphin	SJH20065ZZ	V8	1st	137.0	3.306	5.4	BF-K1	HB	Cr	Fe	13011-2910A
					2nd	137.0	3.306	5.4	T1-K1-IC	HB	Cr	Cr	13019-1660A(cyl)
					3rd	137.0	3.5	5.4	BI-TUC	CR	Cr	Fe	
					Oil	137.0	5.0	4.95	E-BC16	SR	Cr	Fe	
			SJH20078ZZ	V8	1st	137.0	3.306	5.4	BF-K1	HB	Cr	Fe	13011-3480A
					2nd	137.0	3.5	5.4	T1-IC	HB	Cr	Cr	13019-1650A(cyl)
					3rd	137.0	3.5	5.4	BI-TUC	CR	Cr	Fe	
					Oil	137.0	4.0	4.15	E-BC16	SR	Cr	Fe	
E13C	12,913	Profia	SDH20100ZY	6	1st	137.0	3.306	4.1	BF-K1	SR	GN	GN	13011-4010A
					2nd	137.0	2.806	4.9	T1-K1-IB	SR	GN	GN	
					3rd	137.0	2.5	4.5	T1	SR	GN	GN	
					Oil	137.0	4.0	4.4	E-BC16	SR	GN	GN	
V22C	21,548	Super Dolphin	SDH20052ZZ	V10	1st	139.0	3.306	5.4	BF-K1	HB	Cr	Fe	13011-2470A
					2nd	139.0	3.5	5.5	T1-IC	CR	Fe	13011-2471B	
					3rd	139.0	3.5	5.5	BI-TUC	CR	Cr	13011-2472A	
					Oil	139.0	6.0	5.5	E-BC3	CR	Cr	13019-1690A(cyl)	

Engine Type	Exhaust quantity (c.c.)	Vehicle Model Chassis Type	NPR Catalog Code	Cyl No.	Position	Size (mm)			Shape	Material	Surface Treatment		Reference
						d 1 (D)	h 1 (B)	a 1 (T)			Outside	Upper/Lower	
F17C F17E	17,238	Super Dolphin Selega	SDH20053ZX	V8	1st	139.0	3.306	4.7	BF-K1	SR	GN	GN	13011-2810A
					2nd	139.0	3.5	5.5	T1-IC	CR	Fe	Fe	13011-3150A
					3rd	139.0	3.5	5.5	Bl-TUC	CR	Cr	Fe	13019-1700A
					Oil	139.0	5.0	4.95	E-BC16	SR	GN	GN	
V22D	21,548	Super Dolphin	SDH20072ZY	V10	1st	139.0	3.306	5.4	BF-K1	HB	Cr	Fe	13011-3170A
					2nd	139.0	3.5	5.5	T1-IC	HB	Cr	Fe	13011-3180
					3rd	139.0	3.5	5.5	Bl-TUC	CR	Cr	Fe	13019-1700A(cyl)
					Oil	139.0	5.0	4.95	E-BC16	SR	GN	GN	
F20C	19,688	Ranger Truck Super Dolphin Profia FS	SJH20062ZX	V8	1st	146.0	3.306	4.7	BF-K1	SR	GN	GN	13011-2792A
					2nd	146.0	3.5	5.6	T1-IC	HB	Cr	Cr	13011-3250A
					3rd	146.0	3.5	5.7	Bl-TUC	CR	Cr	Fe	13019-1710A(cyl)
					Oil	146.0	5.0	4.95	E-BC16	SR	GN	GN	
			SDH20077ZX	V8	1st	146.0	3.306	4.7	BF-K1	SR	GN	GN	13011-3320A
					2nd	146.0	3.0	5.1	T1	SR	GN	GN	13019-1720A(cyl)
					3rd	146.0	3.0	5.1	T1	SR	GN	GN	
					Oil	146.0	4.0	4.4	E-BC16	SR	GN	GN	
V25C	24,610	Super Dolphin Profia SS	SJH20069ZX	V10	1st	146.0	3.306	4.7	BF-K1	SR	GN	GN	13011-2980A
					2nd	146.0	3.5	5.6	T1-IC	HB	Cr	Cr	13011-2981A
					3rd	146.0	3.5	5.7	Bl-TUC	CR	Cr	Fe	13019-1710A(cyl)
					Oil	146.0	5.0	4.95	E-BC16	SR	GN	GN	
V26C	25,977	Super Dolphin	SJH20080ZY	V10	1st	150.0	3.306	5.5	BF-K1	SR	GN	GN	13011-3450A
					2nd	150.0	3.0	5.8	T1-IC	HB	Cr	Cr	13019-1730A(cyl)
					3rd	150.0	3.0	5.8	Bl-TUC	HB	Cr	Fe	
					Oil	150.0	4.0	4.65	E-BC16	SR	Cr	Fe	
F21C	20,781	Selega Super Dolphin	SJH20076ZY	V8	1st	150.0	3.306	5.5	BF-K1	SR	GN	GN	13011-3310A
					2nd	150.0	3.0	5.8	T1-IC	HB	Cr	Cr	13019-1730A(cyl)
					3rd	150.0	3.0	5.8	Bl-TUC	HB	Cr	Fe	
					Oil	150.0	4.0	4.65	E-BC16	SR	Cr	Fe	

● Gasoline-engine Automobiles ● ガソリン車 ●

Engine Type	Exhaust quantity (c.c.)	Vehicle Model Chassis Type	NPR Catalog Code	Cyl No.	Position	Size (mm)			Shape	Material	Surface Treatment		Reference
						d 1 (D)	h 1 (B)	a 1 (T)			Outside	Upper/Lower	
E07Z	658	Z Z turbo Life	SWH30495ZZ (TCC-G-0081)	3	1st	66.0	1.2	2.25	BF	SR	Cr	Fe	13011-PDF-004
					2nd	66.0	1.2	2.85	T1	CR	Fe	Fe	
					Oil	66.0	2.8	2.5	NIFF-S	SR	Cr	Fe	
EB1	1,169	Civic 1200	SWH30107ZZ	4	1st	70.0	1.5	2.8	T1	CR	Cr	Fe	13011-634-004
					2nd	70.0	1.5	2.8	T1	CR	Fe	Fe	13011-634-305
					Oil	70.0	2.8	2.75	NIFF-S	SR	Cr	Fe	13011-643-015
RGB(T/C)			YWH30442ZY	1	1st	71.0	1.2	2.45	BF-IB	SR	Cr	Fe	13011-RGB-0060(cyl)
					2nd	71.0	1.2	2.8	T1	CR	Fe	Fe	
					Oil	71.0	2.5	2.5	NIFF-H	SR	Cr	Fe	
P07A	658	Life Turbo Life NA	SWH30473ZZ	3	1st	71.0	1.0	2.3	BF-IB	SR	GN	GN	13011-RS9-006
					2nd	71.0	1.2	2.8	T1	CR	Fe	Fe	13011-RS8-006
					Oil	71.0	2.0	2.2	NIFF-H	SR	GN	GN	
EB2	1,237	Civic 1200	SWH30184ZY	4	1st	72.0	1.5	2.85	BF	SR	Cr	Fe	13011-642-003
					2nd	72.0	1.5	3.4	T1	CR	Fe	Fe	13011-642-004
					Oil	72.0	2.8	3.0	NIFF-S	SR	Cr	Fe	13011-642-305
E12 EJ1	1,335	Civic 1300 Ballade	SWH30219ZZ	4	1st	72.0	1.0	2.85	BF	SR	Cr	Fe	13011-PA5-034
					2nd	72.0	1.2	3.2	T1	CR	Fe	Fe	13011-PA5-014
					Oil	72.0	2.8	3.0	NIFF-S	SR	Cr	Fe	13011-PA5-024
EN EJ	1,335	Ballade Civic 1300 Civic Van SV	SWH30162ZZ	4	1st	72.0	1.5	3.1	BF	HB	Cr	Fe	13011-PA0-004
					2nd	72.0	1.5	3.4	T1	CR	Fe	Fe	13011-PA1-004
					Oil	72.0	4.0	3.05	NIFF-S	SR	Cr	Fe	13011-PA5-004 13011-673-000 13011-679-621 13011-695-004
L12B	1,198	Jazz Brio Brio Amaze	SWH30465ZZ	4	1st	73.0	1.0	2.3	BF-IB	SR	GN	GN	13011-RB0-006(cyl)
					2nd	73.0	1.0	2.3	TUC	SR	Fe	Fe	13011-RW0-006
					Oil	73.0	2.0	2.2	NIFF-H	SR	GN	GN	13011-RB0-004 13011-RB1-004
L13A	1,339	Fit 1.3L											
L15A7 LEA	1,497	Fit 1.5L Civic Hybrid											
LDA-MF3	1,339	Civic Hybrid	SWH30474ZZ	4	1st	73.0	1.0	2.25	BF-IB	SR	Cr	Fe	13011-PWA-G01
					2nd	73.0	1.2	3.0	TUC	CR	Fe	Fe	13011-REA-Z01
					Oil	73.0	2.0	2.2	NIFF-H	SR	Cr	Fe	
L15B	1,497	Fit Vezel Shuttle Grace Freed	TCC-P-0721	4	1st	73.0	1.2		BF-IB	SR	GN	GN	13011-59B-014
					2nd	73.0	1.0		TUC	SR	Fe	Fe	
					Oil	73.0	2.0		NIFF-H	SR	GN	GN	

Engine Type	Exhaust quantity (c.c.)	Vehicle Model Chassis Type	NPR Catalog Code	Cyl No.	Position	Size (mm)			Shape	Material	Surface Treatment		Reference	
						d 1 (D)	h 1 (B)	a 1 (T)			Outside	Upper/Lower		
EC	1,488	Civic 1500SE Civic Van VB	SWH30091ZZ	4	1st	74.0	1.5	3.4	BF	CR	Cr	Fe	13011-657-003	
					2nd	74.0	1.5	3.2	T1	CR	Fe	Fe	13011-657-315	
					Oil	74.0	2.8	2.8	NIFF-S	SR	Cr	Fe	13011-657-604	
ED3	1,488	Civic 1500	SWH30114ZZ	4	1st	74.0	1.5	3.4	BF	CR	Cr	Fe	13011-657-670	
ED4	1,488	Ballade 1500 SG,SH,ST			2nd	74.0	1.5	3.2	T1	CR	Fe	Fe	13011-657-671	
					Oil	74.0	4.0	3.05	NIFF-S	SR	Cr	Fe	13011-657-675 13011-671-004 13011-PA6-004	
EM1	1,599	Accord 1600SJ												
D15A3	1,488	Civic CVCC Hatch Back												
D13A2 EV1	1,342	CRX Civic	SWH30252ZZ	4	1st	74.0	1.2	2.8	BF	SR	Cr	Fe	13011-PE0-662	
					Oil	74.0	2.8	2.8	NIFF-S	SR	Cr	Fe		
D15A2	1,488	Civic CVCC Civic 1500 Ballade 1500	SWH30253ZZ	4	1st	74.0	1.2	2.8	BF	SR	Cr	Fe	13011-PA6-014	
					2nd	74.0	1.2	3.2	T1	CR	Fe	Fe	13011-PE1-004	
					Oil	74.0	2.8	2.8	NIFF-S	SR	Cr	Fe	13011-PE7-014	
EW	1,488	Civic Ballade	SWH30326ZZ	4	1st	74.0	1.5	2.9	BF	SR	GN	GN	13011-PE3-004	
EV	1,342				2nd	74.0	1.5	3.2	T1	CR	Cr	Fe		
D15A	1,488	Civic 1500 CRX	SWH30374ZZ	4	1st	74.0	1.0	2.7	BF	SR	Cr	Fe	13011-PE0-004	
					2nd	74.0	1.2	3.2	T1	CR	Fe	Fe		
					Oil	74.0	2.8	2.8	NIFF-S	SR	Cr	Fe		
D15B7 D16A1 D16A8	1,493	Civic 1500	SWH30362ZZ	4	1st	75.0	1.2	2.7	BF	SR	GN	GN	13011-PM6-G02	
	1,590	Civic 1600			2nd	75.0	1.5	3.2	TUC	CR	Cr	Fe		
					Oil	75.0	2.8	2.55	NIFF-S	SR	GN	GN		
D15B6	1,493	CRX	SWH30363ZZ	4	1st	75.0	1.0	2.65	BF	SR	Cr	Fe	13011-PM8-A02	
					2nd	75.0	1.2	3.2	T1	CR	Fe	Fe		
					Oil	75.0	2.8	3.0	NIFF-S	SR	Cr	Fe		
D15B1 D15B2 D15B8	1,493	Civic 1500 Civic 1600 CRX	SWH30365ZZ	4	1st	75.0	1.2	2.7	BF	SR	Cr	Fe	13011-PM5-A02 13011-PJ1-752	
					2nd	75.0	1.5	3.2	T1	CR	Fe	Fe		
					Oil	75.0	2.8	2.8	NIFF-S	SR	Cr	Fe		
D16A1 D16A8	1,590	Integra Partner												
SH4 PM0	1,488	Civic 1500 CRX Domani	SWH30382ZZ	4	1st	75.0	1.2	2.7	BF	SR	GN	GN	13011-PM0-B02	
					2nd	75.0	1.5	3.2	TUC	CR	Cr	Fe	13011-PM0-B03	
					Oil	75.0	4.0	3.05	NIFF-S	SR	Cr	Fe		

Engine Type	Exhaust quantity (c.c.)	Vehicle Model Chassis Type	NPR Catalog Code	Cyl No.	Position	Size (mm)			Shape	Material	Surface Treatment		Reference
						d 1 (D)	h 1 (B)	a 1 (T)			Outside	Upper/Lower	
D15Z1 D16Y5 D16Y7 D16Y8	1,493	Civic 1500	SWH30423ZZ	4	1st	75.0	1.0	2.65	BF-IB	SR	Cr	Fe	13011-P07-004
	1,590	Civic 1600			2nd	75.0	1.2	2.8	TUC	CR	Fe	Fe	13011-P08-004
					Oil	75.0	2.8	2.55	NIFF-S	SR	Cr	Fe	
D17A1 D17A7 D17A8	1,668	Civic Stream	SWH30440ZZ	4	1st	75.0	1.0	2.65	BF-IB	SR	Cr	Fe	13011-PLM-A00
					2nd	75.0	1.2	3.0	T1	CR	Fe	Fe	13011-PLR-A00
					Oil	75.0	2.0	2.45	NIFF-S	SR	Cr	Fe	
D15B7 P04	1,493	Partner Domani	SWH30445ZZ	4	1st	75.0	1.2	2.7	BF	SR	Cr	Fe	13011-P04-G02
					2nd	75.0	1.5	3.3	T1	CR	Fe	Fe	
					Oil	75.0	2.8	2.8	NIFF-S	SR	Cr	Fe	
EK1	1,751	Accord Prelude Vigor	SWH30158ZZ	4	1st	77.0	1.5	2.85	BF	SR	Cr	Fe	13011-676-602
					2nd	77.0	1.5	3.3	TUC	CR	Fe	Fe	13011-676-604
					Oil	77.0	4.0	3.05	NIFF-S	SR	Cr	Fe	13011-676-642 13011-689-003 13011-689-015 13011-689-005
EP	1,601												
A18A1	1,829	Accord Prelude	SWH30251ZZ	4	1st	80.0	1.5	3.05	BF	SR	Cr	Fe	13011-PC6-004
					2nd	80.0	1.5	3.4	TUC	CR	Fe	Fe	13011-PC6-013
					Oil	80.0	4.0	3.3	NIFF-S	SR	Cr	Fe	13011-PC7-023 13011-PD6-003 13011-PH1-003 13011-PH2-003
EY ET2	1,598												
A18A	1,829	Accord Prelude	SWH30409ZZ	4	1st	80.0	1.2	3.05	BF-IB	SR	Cr	Fe	13011-PH2-902
					2nd	80.0	1.2	3.3	T1	CR	Fe	Fe	13011-PH2-901
					Oil	80.0	2.8	2.85	NIFF-S	SR	Cr	Fe	13011-PD4-003
B16A1 B17A1	1,595	Integra	SWH30373ZZ	4	1st	81.0	1.0	3.1	BF-IB	SR	Cr	Fe	13011-PR3-003
	1,678	Civic			2nd	81.0	1.2	3.3	TUC	CR	Fe	Fe	13011-PR3-004
					Oil	81.0	2.8	2.7	NIFF-S	SR	Cr	Fe	13011-PR4-A02
B18A1 B18B1	1,835												
B18A	1,835	Prelude Accord	SWH30375ZZ	4	1st	81.0	1.2	3.1	BF	SR	GN	GN	13011-PK1-751
					2nd	81.0	1.5	3.2	TUC	HB	Fe	Fe	13011-PK1-752
					Oil	81.0	2.8	2.8	NIFF-S	SR	GN	GN	13011-PH3-004 13011-PH3-901 13011-PH5-003 13011-PJ5-601 13011-PK1-003
B20A3	1,958												

Engine Type	Exhaust quantity (c.c.)	Vehicle Model Chassis Type	NPR Catalog Code	Cyl No.	Position	Size (mm)			Shape	Material	Surface Treatment		Reference
						d 1 (D)	h 1 (B)	a 1 (T)			Outside	Upper/Lower	
R18A1	1,799	Cross Road Civic Stream	SWH30484ZY	4	1st	81.0	1.2	2.5	BF-IB	SR	GN	GN	13011-RNB-A02
					2nd	81.0	1.2	3.3	TUC	CR	Fe	Fe	13011-RNA-A02
					Oil	81.0	2.0	2.5	NIFF-H	SR	GN	GN	13011-RZP-004
R20A	1,997	Accord Step Wagon Stream CR-V											
C20A	1,996	Legend 2000	SWH30449ZZ	V6	1st	82.0	1.2	3.05	BF-IB	SR	Cr	Fe	13011-PH6-003
					2nd	82.0	1.2	3.3	T1	CR	Fe	Fe	
					Oil	82.0	2.8	2.85	NIFF-S	SR	Cr	Fe	
G20A	1,996	Inspire Rafaga Vigor	SWH33001ZZ (TCC-G-0068)	5	1st	82.0	1.2	3.05	BF-IB	SR	Cr	Fe	13011-PV0-003
					2nd	82.0	1.2	3.3	T1	CR	Fe	Fe	13011-PV0-004
					Oil	82.0	2.8	2.85	NIFF-S	SR	Cr	Fe	13011-PV0-013 13011-PV0-014
A20A BT	1,995	Accord 2000 Vigor Prelude	SWH30366ZZ	4	1st	82.7	1.5	3.1	BF	SR	GN	GN	13011-PH4-751
					2nd	82.7	1.5	3.2	T1	CR	Cr	Fe	
					Oil	82.7	4.0	3.25	NIFF-S	SR	GN	GN	
			SWH30386ZZ	4	1st	82.7	1.5	3.1	BF	SR	Cr	Fe	13011-PH4-602
					2nd	82.7	1.5	3.5	TUC	CR	Fe	Fe	
					Oil	82.7	4.0	3.2	NIFF-S	SR	Cr	Fe	
B21A1	2,056	Prelude	SWH30448ZZ	4	1st	83.0	1.2	3.05	BF-IB	SR	Cr	Fe	13011-PK3-A04
					2nd	83.0	1.2	3.1	T1	CR	Cr	Fe	
					Oil	83.0	2.8	2.8	NIFF-S	SR	GN	GN	
C25A1	2,494	Legend 2500	SWH30369ZZ	V6	1st	84.0	1.2	3.1	BF-IB	SR	Cr	Fe	13011-PH7-003
					2nd	84.0	1.2	3.6	T1-IB	CR	Fe	Fe	
					Oil	84.0	4.0	3.25	NIFF-S	SR	Cr	Fe	
B20B4 B20Z2	1,972	CR-V Orthia	SWH30437ZZ	4	1st	84.0	1.2	2.9	BF-IB	SR	GN	GN	13011-P3F-003
					2nd	84.0	1.2	3.4	T1	CR	Fe	Fe	
					Oil	84.0	2.8	2.6	NIFF-S	SR	Cr	Fe	
F22A1 F22A4 F22A6 F22B1 F22B2 F22B6	2,156	Accord Prelude Odyssey	SWH30383ZY	4	1st	85.0	1.2	3.05	BF	SR	Cr	Fe	13011-PT0-B03
					2nd	85.0	1.2	3.4	T1	CR	Fe	Fe	13011-P0A-004
					Oil	85.0	2.8	2.85	NIFF-S	SR	Cr	Fe	13011-PT2-004
F20A	1,997	Ascot Accord	SDH30444ZZ	4	1st	85.0	1.2	3.05	BF	SR	Cr	Fe	13011-PT1-M02
					2nd	85.0	1.2	3.4	T1	CR	Cr	Fe	13011-PT1-506
					Oil	85.0	3.0	3.25	E-BC16	SR	GN	GN	

Engine Type	Exhaust quantity (c.c.)	Vehicle Model Chassis Type	NPR Catalog Code	Cyl No.	Position	Size (mm)			Shape	Material	Surface Treatment		Reference
						d 1 (D)	h 1 (B)	a 1 (T)			Outside	Upper/Lower	
F20A F22A	2,156	Accord Prelude Odyssey	SWH30476ZZ	4	1st	85.0	1.2	3.05	BF	SR	Cr	Fe	13011-PT4-X01
					2nd	85.0	1.2	3.4	T1	CR	Fe	Fe	13011-PT4-X02
					Oil	85.0	2.8	2.55	NIFF-S	SR	GN	GN	13011-PT4-X03
F23A1 F23A4 F23A5 F23A7	2,254	Avancier Odyssey	SWH30443ZZ	4	1st	86.0	1.2	2.9	BF	SR	Cr	Fe	13011-PEA-004
					2nd	86.0	1.2	3.4	T1	CR	Fe	Fe	13011-PAA-Y01
					Oil	86.0	2.8	2.85	NIFF-S	SR	Cr	Fe	
J30A1 J30A4 J30A5 JNA1	2,997	Accord	SWH30432ZZ	V6	1st	86.0	1.2	2.9	BF	SR	Cr	Fe	13011-P8A-A01
					2nd	86.0	1.2	3.4	T1	CR	Fe	Fe	
					Oil	86.0	2.8	2.85	NIFF-S	SR	Cr	Fe	
K20A1 K20A2 K20A3 K20Z1 K20Z2 K20Z3	1,998	Civic	SWH30454ZZ	4	1st	86.0	1.2	2.9	BF	SR	Cr	Fe	13011-PNE-G02
					2nd	86.0	1.2	3.4	T1	CR	Fe	Fe	13011-PNF-G01
					Oil	86.0	2.0	2.5	NIFF-H	SR	GN	GN	
K20C K20C1 K20C4	1,996	Avancier Accord Acura RDX	TCC-Q-0743	4	1st	86.0	1.5		BF-IB	SR	GN	GN	13011-6B2-A01
					2nd	86.0	1.0		TUC	SR	Cr	Fe	
					Oil	86.0	2.0		NIFF-H	SR	GN	GN	
C27A1 C27A4	2,675	Accord Legend	SWH30370ZZ	V6	1st	87.0	1.2	3.1	BF-IB	SR	Cr	Fe	13011-PL2-003
					2nd	87.0	1.2	3.5	T1-IB	CR	Fe	Fe	13011-P0G-A01
					Oil	87.0	4.0	3.15	NIFF-S	SR	Cr	Fe	
H22A1 H22A4	2,157	Accord Prelude	SWH30433ZZ	4	1st	87.0	1.2	3.1	BF-IB	SR	GN	GN	13011-P5M-003
					2nd	87.0	1.2	3.2	TUC	CR	Cr	Fe	13011-PI3-004
					Oil	87.0	2.8	2.55	NIFF-S	SR	GN	GN	
K24A2	2,354	TSX Accord	SWH30435ZZ	4	1st	87.0	1.2	3.1	BF-IB	SR	GN	GN	13011-RBB-006
					2nd	87.0	1.2	3.4	TUC	HB	Cr	Fe	
					Oil	87.0	2.5	2.45	NIFF-H	SR	GN	GN	
K24A3 K24A4 K24A8 K24Z1	2,354	CR-V	SWH30466ZZ	4	1st	87.0	1.2	3.1	BF-IB	SR	Cr	Fe	13011-RAA-A01
					2nd	87.0	1.2	3.4	TUC	CR	Fe	Fe	13011-RAD-004
					Oil	87.0	2.0	2.5	NIFF-H	SR	Cr	Fe	13011-PPA-004
K24Z3	2,354	TSX	SWH30467ZZ	4	1st	87.0	1.2	2.7	BF-IB	SR	GN	GN	13011-RL5-A02(cyl)
					2nd	87.0	1.2	3.4	TUC	HB	Cr	Fe	
					Oil	87.0	2.0	2.45	NIFF-H	SR	GN	GN	

Engine Type	Exhaust quantity (c.c.)	Vehicle Model Chassis Type	NPR Catalog Code	Cyl No.	Position	Size (mm)			Shape	Material	Surface Treatment		Reference					
						d 1 (D)	h 1 (B)	a 1 (T)			Outside	Upper/Lower						
K24Z3 K24Z6 K24Z7 K24W1 K24W2 K24W3 K24W7 K24W9	2,354	ILX	SWH30488ZZ	4	1st	87.0	1.2	2.65	BF-IB	SR	Cr	Fe	13011-R40-A01					
		TLX			2nd	87.0	1.2	3.4	TUC	HB	Cr	Fe						
		TSX			Oil	87.0	2.0	2.5	NIFF-H	SR	Cr	Fe						
		Civic Si	SWH33003ZZ (TCC-K-0069)	4	1st	87.0	1.2	2.7	BF-IB	SR	GN	GN		13011-R40-A12				
		CR-V			2nd	87.0	1.0	2.5	TUC	SR	Fe	Fe						
		Accord			Oil	87.0	2.0	2.45	NIFF-H	SR	GN	GN						
		Odyssey			1st	87.0	1.2	2.7	BF-IB	SR	GN	GN			13011-5A2-A11 13011-RDF-A11			
					2nd	87.0	1.0	2.5	TUC	SR	Fe	Fe						
					Oil	87.0	2.0	2.2	NIFF-H	SR	GN	GN						
J32A2 J35A1 J35A3 J35A4 J34A6 J35A7 J35A8 J35A9 J35Z1 J35Z2 J35Z3 J35Z4 J35Z6	3,210 3,471	Odyssey	SWH30438ZZ	V6	1st	89.0	1.2	3.05	BF	SR	Cr	Fe	13011-P8F-A01					
					2nd	89.0	1.2	3.4	T1	CR	Fe	Fe						
					Oil	89.0	2.8	2.85	NIFF-S	SR	Cr	Fe						
		C32A1			3,206	Legend	SWH30371ZZ	V6	1st	90.0	1.2	3.3		BF-IB	SR	Cr	Fe	13011-PY3-003 13011-PY3-004
						Acura TL			2nd	90.0	1.2	3.7		T1	CR	Fe	Fe	
									Oil	90.0	2.8	2.85		NIFF-S	SR	GN	GN	
		C30A			2,977	NSX	SDH30469ZZ	V6	1st	90.0	1.2	3.1		BF-IB	SR	GN	GN	13011-RKG-E020-M4
									2nd	90.0	1.2	3.4		TUC	HB	Cr	Fe	
									Oil	90.0	2.0	2.75		E-BC16	SR	GN	GN	

● Gasoline-engine Automobiles ● ガソリン車 ●

Engine Type	Exhaust quantity (c.c.)	Vehicle Model Chassis Type	NPR Catalog Code	Cyl No.	Position	Size (mm)			Shape	Material	Surface Treatment		Reference
						d 1 (D)	h 1 (B)	a 1 (T)			Outside	Upper/Lower	
4XC-1	1,471	Gemini	SWI10151ZZ	4	1st	77.0	1.5	3.3	T1-IB	HB	Cr	Fe	8-94141-947-0
					Oil	77.0	2.8	3.1	NIFF-S	SR	GN	GN	
4XC-1	1,471	Gemini	SWI10153ZZ	4	1st	77.0	1.2	2.9	BF	SR	GN	GN	8-94109-650-0
					2nd	77.0	1.2	3.5	T1-IB	CR	Cr	Fe	8-94162-769
					Oil	77.0	2.8	3.1	NIFF-S	SR	GN	GN	8-94162-770 8-94162-771
4XE1 4XE1W	1,588	Panero Gemini	SWI10149ZZ	4	1st	80.0	1.2	3.1	BF	SR	Cr	Fe	8-94370-434-0
2nd	80.0	1.2	3.3	T1	CR	Fe	Fe						
Oil	80.0	3.0	2.5	NIFF-S	SR	Cr	Fe						
G161AB G161B G161Z	1,584	Florian Elf	SWI10012ZX	4	1st	82.0	2.0	3.05	BF	SR	Cr	Fe	8-94206-294-0
2nd	82.0	2.0	3.8	T1	CR	Fe	Fe	12121-099					
Oil	82.0	4.0	3.8	NIFF-S	SR	Cr	Fe	12181-133 12181-141 8-94126-639-0(cyl)					
G161Z	1,584	LUV	SWI10097ZZ	4	1st	82.0	1.5	3.45	BF	SR	Cr	Fe	8-94244-403-0(cyl)
2nd	82.0	1.5	3.8	T1	CR	Cr	Fe						
Oil	82.0	4.0	3.25	NIFF-S	SR	Cr	Fe						
G180	1,817	LUV	SWI10056ZZ	4	1st	84.0	2.0	3.8	BF	CR	Cr	Fe	8-94208-205-0
2nd	84.0	2.0	4.0	T1	CR	Fe	Fe	8-94216-640-0(cyl)					
Oil	84.0	4.0	3.8	NIFF-S	SR	Cr	Fe						
G180W	1,817	Gemini 1800 sports	SWI10087ZZ	4	1st	84.0	2.0	3.8	BF	CR	Cr	Fe	8-94224-555-0
2nd	84.0	2.0	3.8	T1	CR	Cr	Fe						
Oil	84.0	4.0	3.8	NIFF-S	SR	Cr	Fe						
G180Z 4ZB	1,817	Aska Florian	SWI10098ZZ	4	1st	84.0	1.5	3.5	BF	SR	Cr	Fe	8-94141-443-0
2nd	84.0	1.5	3.8	T1	CR	Cr	Fe	8-94249-218-0					
Oil	84.0	4.0	3.25	NIFF-S	SR	Cr	Fe	8-94244-404-0(cyl)					
X22SE 22LE C22NE C22SE	2,198	Amigo Rodeo Elf 2.2	SWI10205ZX	4	1st	86.0	1.5	3.45	BF	SR	Cr	Fe	8-92062-027-0
2nd	86.0	1.5	3.5	TUC	CR	Fe	Fe	8-92064-589-0					
Oil	86.0	3.0	2.85	NIFF-S	SR	Cr	Fe						
X22SE 22LE C22NE C22SE	2,198	Amigo Rodeo Elf 2.2	SWI10206ZZ	4	1st	86.0	1.2	2.7	BF	SR	GN	GN	8-92065-115-0
					2nd	86.0	1.5	3.5	TUC	CR	Fe	Fe	
					Oil	86.0	2.5	2.85	NIFF-S	SR	Cr	Fe	
G200	1,949	Piazza 117Coupe	SWI10084ZZ	4	1st	87.0	2.0	3.8	BF	CR	Cr	Fe	8-94216-641-0(cyl)
2nd	87.0	2.0	3.8	T1	CR	Cr	Fe						
Oil	87.0	4.0	3.3	NIFF-S	SR	Cr	Fe						
G200ZN	1,949	LUV Trooper	SWI10096ZZ	4	1st	87.0	1.5	3.5	BF	SR	Cr	Fe	8-94231-817-0(cyl)
2nd	87.0	1.5	3.8	T1	CR	Cr	Fe						
Oil	87.0	4.0	3.3	NIFF-S	SR	Cr	Fe						

Engine Type	Exhaust quantity (c.c.)	Vehicle Model Chassis Type	NPR Catalog Code	Cyl No.	Position	Size (mm)			Shape	Material	Surface Treatment		Reference
						d 1 (D)	h 1 (B)	a 1 (T)			Outside	Upper/Lower	
C24SE	2,405	D-MAX 2.4	SWI10220ZZ	4	1st	87.5	1.2	3.1	BF	SR	GN	GN	8-93359-241-0
					2nd	87.5	1.5	3.7	TUC	CR	Fe	Fe	
					Oil	87.5	2.5	2.7	NIFF-H	SR	Cr	Fe	
4ZC1	1,944	Fargo Aska	SWI10133ZZ	4	1st	88.0	1.5	3.45	BF	SR	Cr	Fe	8-94119-545-0
					2nd	88.0	1.5	3.8	T1	CR	Fe	Fe	8-94235-878-0
					Oil	88.0	4.0	3.3	NIFF-S	SR	Cr	Fe	8-94409-555-0
LL2	2,827	Trooper	SWI10154ZZ	6	1st	89.0	1.5	4.05	BF	CR	Cr	Fe	8-14089-059-0
					2nd	89.0	2.0	4.05	T1-RC	CR	Fe	Fe	
					Oil	89.0	4.76	3.9	NIFF-S	SR	Cr	Fe	
LN2	2,197	Hombre GM Truck	SWI10195ZZ	4	1st	89.0	1.5	4.05	BF	CR	Cr	Fe	8-12363-179-0
					2nd	89.0	1.5	3.6	TUC	CR	Fe	Fe	
					Oil	89.0	3.0	2.95	NIFF-S	SR	Cr	Fe	
4ZD1	2,254	Trooper	SWI10123ZZ	4	1st	89.3	1.5	3.3	BF	SR	GN	GN	8-94153-966-0 8-94136-778-1
					2nd	89.3	1.5	3.8	T1	HB	Cr	Fe	
					Oil	89.3	4.0	3.05	NIFF-S	SR	GN	GN	
4ZE1	2,559	Mu Bighorn	SWI10144ZZ	4	1st	92.6	1.5	3.3	BF	SR	GN	GN	8-94405-614-0 8-94446-957-1
					2nd	92.6	1.5	4.0	T1	CR	Cr	Fe	
					Oil	92.6	4.0	3.05	NIFF-S	SR	GN	GN	
6VD1	3,165	Trooper Bighorn	SWI10185ZZ	6	1st	93.4	1.5	3.45	BF	SR	Cr	Fe	8-97162-198-0
					2nd	93.4	1.5	4.0	TUC	CR	Fe	Fe	
					Oil	93.4	4.0	3.15	NIFF-S	SR	Cr	Fe	
6VE1	3,494	Rodeo Sport	SWI10191ZZ	6	1st	93.4	1.5	3.25	BF	SR	Cr	Fe	8-97136-135-0
					2nd	93.4	1.5	4.0	T1	CR	Fe	Fe	
					Oil	93.4	3.0	2.85	NIFF-S	SR	Cr	Fe	
	Axiom (SUV)	SDI10217ZZ	6	1st	93.4	1.2	3.5	BF-IB	SR	GN	GN	8-97371-553-0	
				2nd	93.4	1.2	3.8	TUC	HB	Cr	Fe		
				Oil	93.4	2.0	2.75	E-BC16	SR	GN	GN		
6VD1-2	3,165	Wizard Bighorn Mu	SWI10230ZZ (TCC-G-0077)	6	1st	93.4	1.5	3.3	BF	SR	GN	GN	8-97170-113-0
					2nd	93.4	1.5	4.0	T1	CR	Cr	Fe	
					Oil	93.4	3.0	2.85	NIFF-S	SR	GN	GN	
LF6	4,293	Hombre	SWI10196ZZ	V6	1st	101.6	1.5	3.65	BF	SR	Cr	Fe	8-12522-848-0 (cyl)
					2nd	101.6	1.5	4.2	TUC	CR	Fe	Fe	
					Oil	101.6	3.0	3.35	NIFF-S	SR	Cr	Fe	
LF8	5,735	Hombre	SWI10197ZZ	V8	1st	101.6	1.5	3.65	BF	SR	Cr	Fe	8-12522-848-0 (cyl)
					2nd	101.6	1.5	4.2	TUC	CR	Fe	Fe	
					Oil	101.6	3.0	3.35	NIFF-S	SR	Cr	Fe	

● Diesel-engine Automobiles ● ディーゼル車 ●

Engine Type	Exhaust quantity (c.c.)	Vehicle Model Chassis Type	NPR Catalog Code	Cyl No.	Position	Size (mm)			Shape	Material	Surface Treatment		Reference
						d 1 (D)	h 1 (B)	a 1 (T)			Outside	Upper/Lower	
3KA1 3KB1	877	For Industrial Machine	SDI10105ZZ	3	1st	70.0	2.0	2.9	BF	HB	Cr	Fe	8-94131-493-0 (cyl)
					2nd	70.0	1.5	3.1	T1	CR	Fe	Fe	
					Oil	70.0	3.5	3.25	E-BC3	CR	Cr	Fe	
3KC1	877	For Industrial Machine	SDI10102ZZ	3	1st	74.0	2.0	2.9	BF	HB	Cr	Fe	5-12121-031-0 (cyl)
					2nd	74.0	1.5	3.1	T1	CR	Fe	Fe	
					Oil	74.0	3.5	3.25	E-BC3	CR	Cr	Fe	
4EC1	1,487	Gemini	SDI10143ZZ	4	1st	76.0	2.0	3.1	BF	HB	Cr	Fe	8-94144-187-0 8-94332-767-1
					2nd	76.0	1.5	3.1	T1	CR	Cr	Fe	
					Oil	76.0	3.0	3.25	E-BC16	SR	GN	GN	
4FE1	1,487	Fork Lift	SDI10212ZZ	4	1st	76.3	2.0	3.5	BF	CR	Cr	Fe	8-94169-748-0
					2nd	76.3	2.0	3.5	T1	CR	Cr	Fe	
					Oil	76.3	4.0	3.7	E-BC16	CR	Cr	Fe	
4LC1	1,731	For Industrial Machine	SJI10213ZZ	4	1st	77.4	2.0	3.1	BF	HB	Cr	Cr	8-97034-609-0
					2nd	77.4	1.5	3.2	T1	CR	Fe	Fe	
					Oil	77.4	3.5	3.25	E-BC16	HB	Cr	Fe	
4EE2	1,686	Gemini	SDI10202ZZ	4	1st	79.0	2.0	2.7	BF	SR	GN	GN	8-94381-709-1
					2nd	79.0	1.5	3.3	TUC	CR	Fe	Fe	
					Oil	79.0	3.0	3.25	E-BC16	SR	GN	GN	
RZ4E-TC	1,897	D-MAX	SDI10234ZZ (TCC-J-0080)	4	1st	80.0	2.0	2.7	BF-K2	SR	PC	GN	8-98333-347-0
					2nd	80.0	1.5	2.7	TUC	SR	GN	GN	
					Oil	80.0	2.0	2.74	E-BC16	SR	GN	GN	
3KR1	1,422	For Industrial Machine	SDI10113ZZ	3	1st	81.0	2.0	3.4	BF	HB	Cr	Fe	5-12121-029-0 (cyl)
					2nd	81.0	1.75	3.4	T1	CR	Fe	Fe	
					Oil	81.0	4.0	3.9	E-BC3	CR	Cr	Fe	
C220	2,207	Truck	SDI10013ZZ	4	1st	83.0	2.0	3.4	T1	CR	Fe	Fe	9-12181-100-0 9-12181-057-0
		Elf			2nd	83.0	2.0	3.4	T1	CR	Fe	Fe	
		TLD11 TLD60			3rd	83.0	2.0	3.4	TUC	CR	Fe	Fe	
		TKD11 TLD30			Oil 1	83.0	4.0	3.8	E-C1	CR	Fe	Fe	
		TLD30V			Oil 2	83.0	4.0	3.4	BC1	CR	Fe	Fe	
		Bus											
BLD11 TLD21B													
For Chromard Liner													
C221	2,207	Truck	SDI10017ZZ	4	1st	83.0	2.0	3.4	T1	CR	Fe	Fe	5-12181-122-0
		Elf			2nd	83.0	2.0	3.4	T1	CR	Fe	Fe	
		For Chromard			3rd	83.0	2.0	3.4	TUC	CR	Fe	Fe	
		Liner			Oil 1	83.0	5.0	3.8	E-BC3	CR	Fe	Fe	
					Oil 2	83.0	5.0	3.4	BC1	CR	Fe	Fe	

Engine Type	Exhaust quantity (c.c.)	Vehicle Model Chassis Type	NPR Catalog Code	Cyl No.	Position	Size (mm)			Shape	Material	Surface Treatment		Reference
						d 1 (D)	h 1 (B)	a 1 (T)			Outside	Upper / Lower	
C201PT	2,207	Truck Elf	SDI10018ZX	4	1st	83.0	2.0	3.1	BF	SR	GN	GN	5-12181-005-0
					2nd	83.0	2.0	3.4	T1	CR	Cr	Fe	5-12121-013-0 (cyl)
					3rd	83.0	2.0	3.4	TUC	CR	Fe	Fe	
					Oil 1	83.0	5.0	3.8	E-BC16	HB	Cr	Fe	
					Oil 2	83.0	5.0	3.4	BC1	CR	Fe	Fe	
3LD1	1,496	For Industrial Machine	SDI10229ZZ	3	1st	83.1	2.0	3.1	BF	SR	GN	GN	8-97113-503
					2nd	83.1	1.75	3.6	TUC	CR	Fe	Fe	
					Oil	83.1	4.0	4.35	E-BC16	SR	GN	GN	
4FB1	1,817	Gemini	SDI10086ZX	4	1st	84.0	2.5	3.25	BF	SR	Cr	Fe	8-94224-221-0(cyl)
					2nd	84.0	2.0	3.5	T1	CR	Cr	Fe	
					Oil	84.0	4.0	4.35	E-BC16	SR	GN	GN	
4FC1(T)	1,995	Aska Fargo	SJI10109ZZ	4	1st	84.0	2.5	3.5	BF-K2	HB	Cr	Fe	8-94139-973-0 (cyl)
					2nd	84.0	2.0	3.5	T1	CR	Cr	Cr	
					Oil	84.0	4.0	4.2	E-BC3	CR	Cr	Fe	
4JD1	2,800	Mu	SDI10121ZX	4	1st	84.0	2.0	3.1	BF	SR	GN	GN	8-94318-702-0 (cyl)
					2nd	84.0	2.0	3.5	T1	CR	Cr	Fe	
					Oil	84.0	4.0	4.35	E-BC16	SR	GN	GN	
4LE1	2,179	For Industrial Machine	SJI10216ZZ	4	1st	85.0	2.0	3.35	BF	HB	Cr	Cr	8-97141-208-0
					2nd	85.0	1.75	3.7	T1-IB	CR	Fe	Fe	
					Oil	85.0	4.0	4.1	E-BC16	SR	Cr	Fe	
C240	2,369	Truck Elf Florian Journey For Chromard Liner	SDI10047ZZ	4	1st	86.0	2.0	3.5	T1	CR	Fe	Fe	9-12181-138-0
					2nd	86.0	2.0	3.5	T1	CR	Fe	Fe	
					3rd	86.0	2.0	3.5	TUC	CR	Fe	Fe	
					Oil 1	86.0	5.0	3.9	E-BC3	CR	Fe	Fe	
					Oil 2	86.0	5.0	3.5	BC1	CR	Fe	Fe	
C190	1,951	Truck Elf For Chromard Liner	SDI10051ZZ	4	1st	86.0	2.0	3.5	T1	CR	Fe	Fe	9-12181-603-0
					2nd	86.0	2.0	3.5	T1	CR	Fe	Fe	5-12181-027-0
					3rd	86.0	2.0	3.5	TUC	CR	Fe	Fe	9-12181-603-0
C240	2,369				Oil	86.0	5.0	4.2	E-BC3	CR	Fe	Fe	9-12181-605-0
2AB1	1,184	For Industrial Machine	SJI10068ZZ	2	1st	86.0	2.0	3.5	BF	HB	Cr	Cr	5-12181-010-2
					2nd	86.0	2.0	3.5	T1	CR	Cr	Fe	5-12121-010-0
					3rd	86.0	2.0	3.5	TUC	CR	Fe	Fe	
					Oil	86.0	5.0	4.3	E-BC3	CR	Cr	Fe	
3AB1	1,777	For Industrial Machine	SJI10069ZZ	3	1st	86.0	2.0	3.5	BF	HB	Cr	Cr	5-12181-011-2
					2nd	86.0	2.0	3.5	T1	CR	Cr	Fe	5-12121-010-0 (cyl)
					3rd	86.0	2.0	3.5	TUC	CR	Fe	Fe	
					Oil	86.0	5.0	4.3	E-BC3	CR	Cr	Fe	
C190G	1,951	Florian Van	SDI10083ZX	4	1st	86.0	2.0	3.25	BF	SR	Cr	Fe	5-12121-008-0 (cyl)
					2nd	86.0	2.0	3.5	T1	CR	Cr	Fe	
					3rd	86.0	2.0	3.5	TUC	CR	Cr	Fe	
					Oil	86.0	5.0	4.3	E-BC3	CR	Cr	Fe	

Engine Type	Exhaust quantity (c.c.)	Vehicle Model Chassis Type	NPR Catalog Code	Cyl No.	Position	Size (mm)			Shape	Material	Surface Treatment		Reference	
						d 1 (D)	h 1 (B)	a 1 (T)			Outside	Upper/Lower		
C190	1,951	Truck Elf 150	SDI10093ZZ	4	1st	86.0	2.5	4.0	BF	HB	Cr	Fe	8-94104-954-0 (cyl)	
					2nd	86.0	2.0	3.5	T1-IC	CR	Cr	Fe	5-12121-022-0 (cyl)	
					Oil	86.0	5.0	4.3	E-BC3	CR	Cr	Fe	5-12121-022-01 (cyl)	
C240	2,369	Truck Elf 150 For Chromard Liner	SDI10095ZZ	4	1st	86.0	2.5	3.8	T1	CR	Fe	Fe	8-94104-949-0 (cyl)	
					2nd	86.0	2.0	3.5	TUC	CR	Fe	Fe	5-12121-021-0 (cyl)	
					Oil	86.0	5.0	4.2	E-BC3	CR	Fe	Fe		
C240PKG	2,369	Truck Elf For Chromard Liner	SDI10122ZZ	4	1st	86.0	2.5	3.8	BF	CR	Fe	Fe	8-94471-442-0	
					2nd	86.0	2.0	3.5	TUC	CR	Fe	Fe		
					Oil	86.0	5.0	4.2	E-BC3	CR	Fe	Fe		
C223	2,238	117 Coupe	SJI10089ZZ	4	1st	88.0	2.5	4.0	BF	HB	Cr	Cr	5-12121-017-0(cyl)	
					2nd	88.0	2.0	4.0	TUC	CR	Cr	Cr	8-94100-355-0 (cyl)	
					Oil	88.0	4.5	4.7	E-BC3	CR	Cr	Fe		
		Rodeo Bighorn For Chromard Liner		4	1st	88.0	2.5	4.0	BF	CR	Fe	Cr	5-12121-024-0(cyl)	
					2nd	88.0	2.0	4.0	TUC	CR	Fe	Cr		
					Oil	88.0	4.5	4.7	E-BC3	CR	Fe	Fe		
C223 4FD1	2,238	Rodeo Bighorn	SDI10101ZX	4	1st	88.0	2.0	3.25	BF	SR	Cr	Fe	8-94250-730-0 (cyl)	
					2nd	88.0	2.0	3.55	TUC	CR	Cr	Fe		
					Oil	88.0	4.0	4.35	E-BC16	SR	GN	GN		
C223	2,238	Rodeo Bighorn For Chromard Liner		SDI10103ZZ	4	1st	88.0	2.0	3.5	BF	CR	Fe	Fe	8-94253-736-0 (cyl)
						2nd	88.0	2.0	3.55	TUC	CR	Fe	Fe	8-94408-207-0 (cyl)
						Oil	88.0	4.0	4.0	E-BC3	CR	Fe	Fe	
C223T	2,238	Truck Faster Hi Pack Van	SJI10111ZZ		4	1st	88.0	2.5	4.0	BF	HB	Cr	Cr	8-94158-084-0(cyl)
						2nd	88.0	2.0	3.55	TUC	CR	Cr	Fe	
						Oil	88.0	4.0	4.0	E-BC3	CR	Cr	Fe	
				4	1st	88.0	2.5	3.5	BF-K2	HB	Cr	Fe	8-94468-521-0	
						2nd	88.0	2.0	3.4	T1	HB	Cr	Fe	
						Oil	88.0	4.0	4.0	E-BC3	HB	Cr	Fe	
D201	2,229	For Industrial Machine	SDI10124ZX	4	1st	88.0	2.0	3.1	BF	SR	GN	GN	8-94417-175-0	
					2nd	88.0	2.0	3.7	T1-IC	CR	Cr	Fe		
					3rd	88.0	2.0	3.7	BI-TUC	CR	Fe	Fe		
					Oil	88.0	4.0	4.15	E-BC16	SR	GN	GN		
4FG1-1	2,771	Fargo		SDI10272ZZ	4	1st	89.3	2.0	3.1	BF	SR	GN	GN	8-94469-634-0
						2nd	89.3	2.0	3.7	T1	CR	Cr	Fe	
			Oil			89.3	4.0	4.15	E-BC16	SR	Cr	Fe		

Engine Type	Exhaust quantity (c.c.)	Vehicle Model Chassis Type	NPR Catalog Code	Cyl No.	Position	Size (mm)			Shape	Material	Surface Treatment		Reference	
						d 1 (D)	h 1 (B)	a 1 (T)			Outside	Upper / Lower		
4JB1	2,771	Truck Elf 150 For Chromard Liner	SDI10110ZX	4	1st	93.0	2.0	3.5	BF	SR	GN	GN	8-94247-867-0(cyl) 5-87311082-0(cyl) 97710771(cyl)	
					2nd	93.0	2.0	4.0	TUC	CR	Fe	Fe		
					Oil	93.0	4.0	4.35	E-BC16	SR	GN	GN		
4JK1-TC	2,499	Truck Elf Mu Rodeo D-MAX For Chromard Liner	SDI10211ZZ	4	1st	93.0	2.0	4.0	BF	CR	Fe	Fe	8-97319-087-0 5-87310-519-0	
					2nd	93.0	2.0	4.0	TUC	CR	Fe	Fe		
					Oil	93.0	4.0	4.35	E-BC16	SR	GN	GN		
4JG1	3,059	Truck Elf Bighorn For Chromard Liner	SDI10129ZZ	4	1st	95.4	2.0	4.0	BF	CR	Fe	Fe	8-94379-486-0	
					2nd	95.4	2.0	4.0	T1	CR	Fe	Fe		
					Oil	95.4	4.0	4.1	E-BC3	CR	Fe	Fe		
4JG2	3,059	Bighorn Truck Elf For Chromard Liner	SDI10130ZZ	4	1st	95.4	2.296	4.0	BF-K1	CR	Fe	Fe	8-94370-449-0	
					2nd	95.4	2.0	4.0	T1	CR	Fe	Fe		
					Oil	95.4	4.0	4.1	E-BC3	CR	Fe	Fe		
			SDI10141ZZ	4	1st	95.4	2.5	4.0	BF-IB	CR	Fe	Fe		8-97080-215-0
					2nd	95.4	2.0	4.0	T1-IB	CR	Fe	Fe		
					Oil	95.4	4.0	4.45	E-BC16	SR	GN	GN		
4JH1	3,059	D-MAX For Chromard Liner	SDI10193ZZ	4	1st	95.4	2.5	4.0	BF	CR	Fe	Fe	8-97941-122-0 8-97259-941-0	
					2nd	95.4	2.0	3.8	TUC	CR	Fe	Fe		
					Oil	95.4	3.0	3.25	E-BC16	SR	GN	GN		
4JJ1-TC	2,999	Truck Elf	SDI10215ZZ	4	1st	95.4	2.0	3.45	BF-K2	SR	GN	GN	8-98053-579-0	
					2nd	95.4	2.0	4.4	T1-IC	CR	Cr	Fe		
					Oil	95.4	3.0	3.0	E-BC16	SR	GN	GN		
			SDI10210ZY	4	1st	95.4	2.0	3.45	BF-K2	SR	GN	GN		8-97388-734-0 8-98096-676-0 8-98173-004-0
					2nd	95.4	1.5	4.0	T1	CR	Fe	Fe		
					Oil	95.4	3.0	3.0	E-BC16	SR	GN	GN		
			SDI10209ZZ	4	1st	95.4	2.0	3.45	BF-K2	SR	GN	GN		8-98057-222-0 8-98171-040-0 8-98249-715-0
					2nd	95.4	1.5	3.5	T1	SR	GN	GN		
					Oil	95.4	3.0	3.0	E-BC16	SR	GN	GN		
4JX1	2,999	Mu Bighorn Wizard	SDI10171ZZ	4	1st	95.4	2.448	4.0	BF-K1	HB	Cr	Fe	8-97184-533-0	
					2nd	95.4	2.0	4.0	T1-IC	CR	Cr	Fe		
					Oil	95.4	4.0	4.35	E-BC16	SR	GN	GN		
4KH1	2,999	Sweeper Truck	SDI10224ZZ	4	1st	95.4	2.5	3.5	BF	SR	GN	GN	8-98188-644-0	
					2nd	95.4	2.0	3.5	TUC	SR	GN	GN		
					Oil	95.4	3.0	3.0	E-BC16	SR	GN	GN		

Engine Type	Exhaust quantity (c.c.)	Vehicle Model Chassis Type	NPR Catalog Code	Cyl No.	Position	Size (mm)			Shape	Material	Surface Treatment		Reference
						d 1 (D)	h 1 (B)	a 1 (T)			Outside	Upper/Lower	
C330	3,318	Elf 250 For Chromard Liner	SJ110049ZZ	4	1st	98.0	3.0	3.9	BF	CR	Fe	Cr	9-12181-801-0
					2nd	98.0	2.5	3.9	TUC	CR	Fe	Fe	9-12181-619-0
					Oil	98.0	5.0	4.7	E-BC3	CR	Fe	Fe	
4BA1	2,775	Truck Elf TLD34・44・54 TLD26・64 For Chromard Liner	SJ110071ZZ	4	1st	98.0	3.0	3.9	BF	CR	Fe	Cr	5-12181-025-0
					2nd	98.0	2.5	3.9	TUC	CR	Fe	Fe	5-12121-019-0 (cyl)
					Oil	98.0	5.0	4.7	E-BC3	CR	Fe	Fe	5-12121-001-0
													9-12181-601-0
												9-12181-801-0	
												9-12181-619-0	
DA120	6,126	TX TS TW TXD	SJ110028ZZ	6	1st	100.0	2.5	4.0	P	CR	Cr	Cr	12181-063
					2nd	100.0	2.5	4.0	T1	CR	Fe	Fe	12181-091
					3rd	100.0	2.5	4.0	T1	CR	Fe	Fe	
					Oil 1	100.0	4.0	4.1	E-C1	CR	Cr	Fe	
					Oil 2	100.0	4.0	4.0	BC1	CR	Fe	Fe	
	Bus BA4341P・343 BA351・BA541 BA543 BA551 BB341・BA351 BA551・BB351 BX352・531 BX552 For Industrial Machine	SD110061ZX	6	1st	100.0	2.5	3.85	BF	SR	Cr	Fe	1-12181-036-0	
				2nd	100.0	2.5	4.4	T1-IC	CR	Fe	Fe	1-12181-087-0	
				3rd	100.0	2.5	4.4	BI-TUC	CR	Fe	Fe	1-12181-109-0	
				Oil	100.0	5.0	4.95	E-BC16	SR	GN	GN	1-12181-128-0	
												1-12121-001-0 (cyl)	
											1-12181-005-0 (cyl)		
For Industrial Machine	SD110076ZZ	6	1st	100.0	3.0	4.4	BF	CR	Cr	Fe	1-12181-040-0		
			2nd	100.0	2.5	4.4	T1-IC	CR	Fe	Fe	1-12121-007-0 (cyl)		
			3rd	100.0	2.5	4.4	BI-TUC	CR	Fe	Fe			
			Oil	100.0	5.0	4.8	E-BC3	CR	Cr	Fe			
DA220	4,084	For Industrial Machine	SJ110029ZZ	4	1st	100.0	2.5	4.0	P	CR	Cr	Cr	9-12181-093-0
					2nd	100.0	2.5	4.0	T1	CR	Fe	Fe	
					3rd	100.0	2.5	4.0	T1	CR	Fe	Fe	
					Oil 1	100.0	4.0	4.1	E-C1	CR	Cr	Fe	
					Oil 2	100.0	4.0	4.0	BC1	CR	Fe	Fe	
For Industrial Machine	SJ110062ZZ	4	1st	100.0	2.5	4.2	BF	HB	Cr	Cr	1-12181-006-0		
			2nd	100.0	2.5	4.4	T1-IC	CR	Fe	Fe	1-12181-038-0		
			3rd	100.0	2.5	4.4	BI-TUC	CR	Fe	Fe	1-12181-111-0		
			Oil	100.0	5.0	4.8	E-BC3	CR	Cr	Fe	1-12121-001-0 (yl)		

Engine Type	Exhaust quantity (c.c.)	Vehicle Model Chassis Type	NPR Catalog Code	Cyl No.	Position	Size (mm)			Shape	Material	Surface Treatment		Reference	
						d 1 (D)	h 1 (B)	a 1 (T)			Outside	Upper/Lower		
DA640S(T)	6,373	Fork Lift	SDI10057ZZ	6	1st	102.0	3.5	4.4	BF-K1	CR	Cr	Fe	1-12181-014-0	
					2nd	102.0	2.5	4.4	T1-IC	CR	Fe	Fe	1-12121-035-0	
					3rd	102.0	2.5	4.4	BI-TUC	CR	Fe	Fe	1-12181-011-0 (cyl)	
					Oil	102.0	5.0	4.8	E-BC3	CR	Cr	Fe		
DA640PP		For Industrial Machine	SDI10066ZY	6	1st	102.0	3.0	4.4	BF	CR	Cr	Fe	1-12181-034-0	
					2nd	102.0	2.5	4.4	T1-IC	CR	Fe	Fe	1-12121-010-0 (cyl)	
					3rd	102.0	2.5	4.4	BI-TUC	CR	Fe	Fe		
					Oil	102.0	5.0	4.8	E-BC3	CR	Cr	Fe		
DA640	6,373	Truck BA BF BS TXD	SJI10036ZZ	6	1st	102.0	2.5	4.0	P	CR	Cr	Cr	1-12161-064-0	
					2nd	102.0	2.5	4.0	T1	CR	Fe	Fe	1-12181-092-0	
					3rd	102.0	2.5	4.0	T1	CR	Fe	Fe		
					Oil 1	102.0	4.0	4.1	E-C1	CR	Cr	Fe		
					Oil 2	102.0	4.0	4.0	BC1	CR	Fe	Fe		
			Bus BA741 BA741P BA743 BB751 BR10 BR10P BR20 BR20P BR351 BR351P BX721E BX731 BX752	SDI10063ZX	6	1st	102.0	2.5	4.1	BF	SR	Cr	Fe	1-12181-033-0
						2nd	102.0	2.5	4.4	T1	CR	Fe	Fe	1-12181-074-0
						3rd	102.0	2.5	4.4	TUC	CR	Fe	Fe	1-12181-088-0
						Oil	102.0	5.0	4.8	E-BC3	CR	Cr	Fe	1-12181-110-0
6BD1MT	5,393	For Marine Engine For Chromard Liner	SDI10085ZZ	6	1st	102.0	3.5	4.4	BF-K1	CR	Fe	Fe	5-12121-015-0 (cyl)	
					2nd	102.0	2.5	4.4	T1	CR	Fe	Fe		
					Oil	102.0	5.0	4.8	E-BC3	CR	Fe	Fe		
4BD2	3,856	For Chromard Liner	SDI10147ZX	4	1st	102.0	3.0	3.9	BF	SR	GN	GN	8-97117-686-0	
					2nd	102.0	2.0	3.7	T1	SR	GN	GN		
					Oil	102.0	4.0	4.45	E-BC16	SR	GN	GN		
6BD1 6BB1	5,393	Truck SBR320 · 380 400 · 450 · 500 JBR FBR370 YBR360 310 Tractor VBR320 VBR322 For Chromard Liner	SDI10065ZX	6	1st	102.0	3.0	3.9	BF	SR	GN	GN	5-12181-023-2	
					2nd	102.0	2.5	4.4	TUC	CR	Fe	Fe	5-12121-055-0 (cyl)	
					Oil	102.0	5.0	4.95	E-BC16	SR	GN	GN		

Engine Type	Exhaust quantity (c.c.)	Vehicle Model Chassis Type	NPR Catalog Code	Cyl No.	Position	Size (mm)			Shape	Material	Surface Treatment		Reference
						d 1 (D)	h 1 (B)	a 1 (T)			Outside	Upper/Lower	
4BB1	3,595	Elf Journey For Chromard Liner	SDI10070ZX	4	1st	102.0	3.0	3.9	BF	SR	GN	GN	5-12181-024-1
					2nd	102.0	2.5	4.4	TUC	CR	Fe	Fe	5-12121-005-0 (cyl)
					Oil	102.0	5.0	4.95	E-BC16	SR	GN	GN	5-12181-003-0
4BC1 4BD1 4BD1-T	3,268	Truck Elf Journey For Chromard Liner	SDI10090ZX	4	1st	102.0	3.0	3.9	BF	SR	GN	GN	5-12121-004-0 (cyl)
					2nd	102.0	2.5	4.4	TUC	CR	Fe	Fe	
					Oil	102.0	5.0	4.95	E-BC16	SR	GN	GN	
4BD1L	3,856	Journey For Chromard Liner	SDI10125ZX	4	1st	102.0	3.0	3.9	BF	SR	GN	GN	8-94326-650-0
2nd	102.0	2.5	4.4	TUC	CR	Fe	Fe						
Oil	102.0	4.0	4.45	E-BC16	SR	GN	GN						
8GF1	6,599	Pick up Truck SUV	SDI10183ZY	V8	1st	103.0	2.948	3.9	BF-K1	SR	GN	GN	8-97250-331-2
					2nd	103.0	2.0	4.4	T1-IC	CR	Cr	Fe	
					Oil	103.0	3.0	3.0	E-BC16	SR	GN	GN	
6BF1	6,130	Truck Forward For Chromard Liner	SDI10082ZX	6	1st	105.0	3.0	3.7	BF	SR	GN	GN	1-12121-052-0 5-12121-006-0 (cyl)
					2nd	105.0	2.5	4.7	TUC	CR	Fe	Fe	
					Oil	105.0	5.0	4.9	E-BC3	CR	Fe	Fe	
6BG1	6,494	Truck Forward (FRS12) For Chromard Liner	SDI10104ZX	6	1st	105.0	3.0	3.7	BF	SR	GN	GN	1-12121-065-0 1-12121-101-1 (cyl)
					2nd	105.0	2.5	4.7	TUC	CR	Fe	Fe	
					Oil	105.0	4.0	4.35	E-BC16	SR	GN	GN	
6BG1MTC	6,494	For Marine Engine For Chromard Liner	SDI10148ZX	6	1st	105.0	3.306	3.9	BF-K1	SR	GN	GN	1-12121-121-0
					2nd	105.0	2.5	4.7	TUC	CR	Fe	Fe	
					Oil	105.0	4.0	4.35	E-BC16	SR	GN	GN	
4BE1	3,636	Truck Elf 2ton For Chromard Liner	SDI10118ZX	4	1st	105.0	3.0	3.7	BF	SR	GN	GN	8-94418-918-0
					2nd	105.0	2.5	4.5	TUC	CR	Fe	Fe	
					Oil	105.0	5.0	4.9	E-BC3	CR	Fe	Fe	
6BG1-TC	6,494	Truck Forward For Chromard Liner	SJI10128ZZ	6	1st	105.0	3.5	4.4	BF	CR	Fe	Cr	1-12121-115-0
					2nd	105.0	2.5	4.7	TUC	CR	Fe	Fe	
			SDI10223ZZ	6	1st	105.0	3.306	3.9	BF-K1	SR	GN	GN	1-12121-146-0 (cyl)
					2nd	105.0	2.5	4.4	T1-IC	CR	Fe	Fe	
3rd	105.0	2.5	4.4	BI-TUC	CR	Fe	Fe						
Oil	105.0	4.0	4.35	E-BC16	SR	GN	GN						

Engine Type	Exhaust quantity (c.c.)	Vehicle Model Chassis Type	NPR Catalog Code	Cyl No.	Position	Size (mm)			Shape	Material	Surface Treatment		Reference	
						d 1 (D)	h 1 (B)	a 1 (T)			Outside	Upper/Lower		
4BG1	4,329	Truck Elf For Chromard Liner	SDI10168ZX	4	1st	105.0	3.0	3.7	BF	SR	GN	GN	8-97123-833-0	
					2nd	105.0	2.5	4.7	TUC	CR	Fe	Fe		
					Oil	105.0	4.0	4.35	E-BC16	SR	GN	GN		
			SDI10131ZX	4	1st	105.0	3.306	3.9	BF-K1	SR	GN	GN		8-97032-075-0
					2nd	105.0	2.5	4.4	T1-IC	CR	Fe	Fe		
					Oil	105.0	4.0	4.35	E-BC16	SR	GN	GN		
6HE1	7,127	Truck Forward	SJI10126ZZ	6	1st	110.0	3.0	4.5	BF	HB	Cr	Cr	8-94396-840-0	
					2nd	110.0	2.5	4.7	TUC	CR	Cr	Fe		
					Oil	110.0	4.0	4.35	E-BC16	SR	GN	GN		
6HE1-TC	7,172	Truck Forward	SDI10146ZY	6	1st	110.0	3.836	4.5	BF-K1	HB	Cr	Fe		8-94390-529-1
					2nd	110.0	3.0	4.4	T1-IC	CR	Cr	Fe		
					3rd	110.0	2.5	4.7	TUC	CR	Cr	Fe		
			Oil	110.0	3.0	3.25	E-BC16	SR	GN	GN				
			SJI10138ZZ	6	1st	110.0	3.836	4.5	BF-K1	HB	Cr	Fe	8-94394-418-1	
					2nd	110.0	3.0	4.5	BF-IC	HB	Cr	Cr		
3rd	110.0	2.5			4.7	TUC	CR	Cr	Fe					
Oil	110.0	4.0	4.35	E-BC16	SR	GN	GN							
4HE1	4,751	Truck Elf	SDI10140ZZ	4	1st	110.04	3.0	4.1	BF-K2	SR	GN	GN		8-97078-779-0
					2nd	110.04	2.5	4.7	T1-IC	CR	Cr	Fe		
					Oil	110.04	4.0	4.35	E-BC16	SR	GN	GN		
4HE1-TC	4,751	Truck Elf	SDI10177ZZ	4	1st	110.04	3.0	4.1	BF-K2	SR	GN	GN	8-97166-992-0	
					2nd	110.04	2.0	4.1	T1	SR	GN	GN		
					3rd	110.04	1.2	3.9	T1	SR	GN	GN		
Oil	110.04	3.0	3.25	E-BC16	SR	GN	GN							
4HF1	4,334	Truck Elf	SJI10127ZZ	4	1st	112.0	3.0	4.5	BF	HB	Cr	Cr		8-97028-691-0
					2nd	112.0	2.5	4.7	TUC	CR	Cr	Fe		
					Oil	112.0	4.0	4.35	E-BC16	SR	GN	GN		
			SDI10139ZZ	4	1st	112.0	3.0	4.05	BF-K2	SR	Cr	Fe	8-97109-462-0	
					2nd	112.0	2.5	4.7	TUC	CR	Cr	Fe		
					Oil	112.0	4.0	4.35	E-BC16	SR	GN	GN		
8PA1	9,971	Truck SKS390 SKW520	YDI10080ZX (1cyl)	V8	1st	115.0	3.0	4.05	BF	SR	Cr	Fe		1-12181-016-0 1-12121-042-0 1-12181-060-0 (cyl)
					2nd	115.0	2.5	4.8	TUC	CR	Cr	Fe		
					Oil	115.0	6.0	5.7	E-BC3	CR	Cr	Fe		
10PA1	12,464	Truck Bus SRZ440 CRA650	YDI10080ZX (1cyl)	V10	1st	115.0	3.0	4.05	BF	SR	Cr	Fe		
					2nd	115.0	2.5	4.8	TUC	CR	Cr	Fe		
					Oil	115.0	6.0	5.7	E-BC3	CR	Cr	Fe		
12PA1	14,957	Truck VTR300 VRZ440 VTR290	YDI10080ZX (1cyl)	V12	1st	115.0	3.0	4.05	BF	SR	Cr	Fe		
					2nd	115.0	2.5	4.8	TUC	CR	Cr	Fe		
					Oil	115.0	6.0	5.7	E-BC3	CR	Cr	Fe		

Engine Type	Exhaust quantity (c.c.)	Vehicle Model Chassis Type	NPR Catalog Code	Cyl No.	Position	Size (mm)			Shape	Material	Surface Treatment		Reference
						d 1 (D)	h 1 (B)	a 1 (T)			Outside	Upper/Lower	
8PB1	11,217	New Power Tractor Dump	YDI10081ZX (1cyl)	V8	1st	115.0	3.0	4.05	BF	SR	Cr	Fe	1-12181-043-0 (cyl)
10PB1	14,022				2nd	115.0	2.5	4.8	T1	CR	Cr	Fe	1-12181-058-0 (cyl)
12PB1	16,826			Oil	V10	115.0	4.0	4.35	E-BC16	SR	GN	GN	1-12181-061-0 (cyl)
4HG1 4HJ1 4HK1	4,751	Truck Elf	SDI10160ZZ	4	1st	115.0	3.0	4.1	BF-K2	SR	GN	GN	8-97105-867-0 (cyl)
2nd					115.0	2.5	4.8	TUC	CR	Cr	Fe	8-97219-054-0 (cyl)	
Oil					115.0	4.0	4.35	E-BC16	SR	GN	GN	8-97603-423-1 (cyl) 8-98040-125-0 (cyl) 8-98054-495-0 (cyl) 8-98054-995-0 (cyl)	
6HK1	7,790	Forward Truck	SDI10228ZZ	6	1st	115.0	3.0	4.1	BF-K2	SR	GN	GN	8-98040-125-0 (cyl)
2nd					115.0	2.5	4.8	TUC	CR	Cr	Fe		
Oil					115.0	4.0	4.35	E-BC16	SR	GN	GN		
4HK1X	5,193	Truck Elf	SDI10207ZZ	4	1st	115.0	2.948	4.15	BF-K1	SR	GN	GN	8-98017-166-0
2nd					115.0	2.0	4.3	T1-IB	SR	GN	GN		
3rd					115.0	2.5	4.8	TUC	CR	Cr	Fe		
Oil					115.0	3.0	3.1	E-BC16	SR	GN	GN		
6HH1	8,226	Truck Forward Journey Erga	SJI10163ZZ	6	1st	115.0	3.5	4.6	BF	HB	Cr	Cr	8-94390-799-0 (cyl)
2nd					115.0	2.5	4.8	TUC	CR	Cr	Fe	8-94390-799-2 (cyl)	
Oil		115.0	4.0	4.35	E-BC16	SR	GN	GN	8-94392-128-1				
1st		115.0	3.5	4.6	BF	HB	Cr	Cr					
2nd		115.0	2.5	4.8	TUC	CR	Cr	Fe					
Oil		115.0	3.0	3.1	E-BC16	SR	GN	GN					
6HK1-TC	7,790	Truck Erga	SDI10178ZZ	6	1st	115.0	2.948	4.1	BF-K1	SR	GN	GN	8-94391-502-4 (cyl)
2nd					115.0	2.0	4.3	T1-IB	SR	GN	GN		
3rd					115.0	2.5	4.8	TUC	CR	Cr	Fe		
Oil					115.0	3.0	3.1	E-BC16	SR	GN	GN		
4HL1	4,777	Elf Forward	SDI10192ZZ	4	1st	115.0	3.0	4.1	BF	SR	GN	GN	8-97331-641-0
2nd					115.0	2.0	4.25	T1	SR	Cr	Fe		
Oil					115.0	3.0	3.1	E-BC16	SR	GN	GN		
6HL1-TC	7,166	Truck Forward	SDI10186ZZ	6	1st	115.0	2.948	4.25	BF-K1	SR	Cr	Fe	8-97601-318-1
2nd					115.0	2.5	4.8	T1-IC	CR	Fe	Fe		
Oil					115.0	3.0	3.1	E-BC16	SR	GN	GN		
6HF1-CNG	7,790	CNG Truck	SDI10214ZZ	6	1st	115.0	3.5	4.1	BF	SR	GN	GN	8-98141-535-0
2nd					115.0	2.5	4.8	TUC	CR	Cr	Fe		
Oil					115.0	4.0	4.35	E-BC16	SR	GN	GN		
6SA1	8,413	Truck Forward 200PS	SJI10112ZZ	6	1st	115.0	3.0	4.6	BF	HB	Cr	Cr	1-12121-070-0
2nd					115.0	2.5	4.8	TUC	HB	Cr	Fe	1-12121-113-0	
Oil					115.0	4.0	4.2	E-BC3	HB	Cr	Fe	1-12121-075-0 (cyl)	

Engine Type	Exhaust quantity (c.c.)	Vehicle Model Chassis Type	NPR Catalog Code	Cyl No.	Position	Size (mm)			Shape	Material	Surface Treatment		Reference
						d 1 (D)	h 1 (B)	a 1 (T)			Outside	Upper / Lower	
4HF1-LPG	4,334	Truck Elf	SDI10190ZZ	4	1st	115.0	3.0	4.1	BF	SR	GN	GN	8-97258-337-0
					2nd	115.0	2.5	4.8	TUC	CR	Cr	Fe	8-98144-475
					Oil	115.0	3.0	3.1	E-BC16	SR	GN	GN	
10PC1	15,014	Truck CXR 10.75ton	SJI10106ZZ	V10	1st	119.0	3.0	4.6	BF	HB	Cr	Cr	1-12121-047-0 (cyl)
					2nd	119.0	2.5	4.8	T1	CR	Cr	Fe	
					Oil	119.0	4.0	5.0	E-C2	HB	Cr	Fe	
10PC1-T	15,014	Truck Bus Hi-Decker	SJI10115ZX	V10	1st	119.0	4.0	4.6	BF	HB	Cr	Cr	1-12121-062-0 (cyl)
					2nd	119.0	2.5	4.8	TUC	HB	Cr	Fe	
					Oil	119.0	4.0	4.35	E-BC16	SR	GN	GN	
8PC1-T	12,011	Bus Hi-Decker LV217H	SJI10107ZZ	V8	1st	119.0	3.0	4.6	BF	HB	Cr	Cr	1-12121-049-0
					2nd	119.0	2.5	4.8	TUC	HB	Cr	Fe	
					Oil	119.0	4.0	5.0	E-C2	HB	Cr	Fe	
DH100	10,179	Truck TD70E TD80E TD90E TD141 TP70E TP81 TP81E TP91E Bus BC30 BC141 BC151 BC151P BC161 BU05 BU10 BU15 BU20	SDI10040ZX	6	1st	120.0	3.0	4.45	BF	SR	Cr	Fe	1-12181-001-0
					2nd	120.0	3.0	5.0	T1	CR	Fe	Fe	1-12181-083-0
					3rd	120.0	3.0	5.0	TUC	CR	Fe	Fe	1-12181-086-0
					Oil	120.0	6.0	5.6	E-BC3	CR	Cr	Fe	1-12181-114-0
6SD1	9,839	Truck Forward CXG23	SJI10179ZZ	6	1st	120.0	3.5	5.0	BF	HB	Cr	Cr	1-12121-094-1
					2nd	120.0	2.5	5.0	TUC	HB	Cr	Fe	
					Oil	120.0	5.0	4.95	E-BC16	SR	Cr	Fe	
6SD1-TC	9,839	Truck Giga CXM CXK CXG	SDI10194ZZ	6	1st	120.0	4.0	4.9	BF-K1	HB	Cr	Fe	1-12121-119-2
					2nd	120.0	3.0	4.6	T1-IC	CR	Cr	Fe	
					3rd	120.0	3.0	4.9	B1-TUC	CR	Cr	Fe	
			Oil	120.0	4.0	4.4	E-BC16	SR	GN	GN			
			SDI10218ZZ	6	1st	120.0	3.0	4.1	BF-K1	SR	GN	GN	1-12121-149-0
					2nd	120.0	2.0	4.25	T1-IB	SR	Cr	Fe	
3rd	120.0	3.0			4.9	B1-TUC	HB	Cr	Fe				
Oil	120.0	3.0	3.25	E-BC16	SR	GN	GN						
6UZ1-TCC	9,839	Giga Truck	SDI10225ZZ	6	1st	120.0	2.5	4.3	BF-K1	SR	GN	GN	8-98056-464-1
					2nd	120.0	2.0	4.25	T1-IB	SR	Cr	Fe	
					3rd	120.0	3.0	4.9	B1-TUC	HB	Cr	Fe	
					Oil	120.0	3.0	3.25	E-BC16	SR	GN	GN	
6QA1 D920	11,044 9,203	Bus TDJ DVR 25DP 35DP	SJI10088ZZ	6	1st	125.0	3.0	5.1	BF	HB	Cr	Cr	1-12121-028-0(cyl)
					2nd	125.0	2.5	5.1	TUC	CR	Cr	Fe	1-12121-046-0(cyl)
					Oil	125.0	6.0	5.5	E-BC3	CR	Cr	Fe	1-12121-013-0(cyl)

Engine Type	Exhaust quantity (c.c.)	Vehicle Model Chassis Type	NPR Catalog Code	Cyl No.	Position	Size (mm)			Shape	Material	Surface Treatment		Reference
						d 1 (D)	h 1 (B)	a 1 (T)			Outside	Upper/Lower	
6QB2	11,044	Bus	SJ110208ZZ	6	1st	125.0	4.0	4.8	BF	HB	Cr	Cr	1-12121-096-0
					2nd	125.0	2.5	5.0	BI-TUC	CR	Cr	Fe	
					Oil	125.0	6.0	5.1	E-BC3	CR	Cr	Fe	
PE1		Truck Erga Giga	YDI10164ZZ (1cyl)	1	1st	127.0	3.806	4.7	BF-K1	SR	GN	GN	1-12121-129-1
					2nd	127.0	3.0	5.0	T1-IC	HB	Cr	Fe	
					3rd	127.0	3.0	5.2	BI-TUC	CR	Cr	Fe	
					Oil	127.0	4.0	4.35	E-BC16	SR	GN	GN	
			YJ110165ZZ (1cyl)	1	1st	127.0	4.0	5.2	BF	HB	Cr	Cr	1-12121-131-1
					2nd	127.0	3.0	5.0	T1-IC	HB	Cr	Fe	
					3rd	127.0	3.0	5.2	BI-TUC	CR	Cr	Fe	
					Oil	127.0	4.0	4.35	E-BC16	SR	GN	GN	
			YDI10180ZY (1cyl)	1	1st	127.0	2.917	4.7	BF-K1	SR	GN	GN	1-12121-145-0
					2nd	127.0	2.0	4.7	T1-IB	SR	GN	GN	
					3rd	127.0	3.0	5.2	BI-TUC	CR	Cr	Fe	
					Oil	127.0	4.0	4.35	E-BC16	SR	GN	GN	
10PE1	19,001	Erga Giga	SDI10164ZZ	V10	1st	127.0	3.806	4.7	BF-K1	SR	GN	GN	1-12121-129-0
					2nd	127.0	3.0	5.0	T1-IC	HB	Cr	Fe	
					3rd	127.0	3.0	5.2	BI-TUC	CR	Cr	Fe	
					Oil	127.0	4.0	4.35	E-BC16	SR	GN	GN	
6RB1-MTC	13,741	Dump CXM 10.5ton L275PS	SDI10116ZZ	6	1st	132.9	4.0	5.5	BF	HB	Cr	Fe	1-12121-076-0
					2nd	132.9	2.5	5.5	TUC	HB	Cr	Fe	
					Oil	132.9	4.0	4.3	E-BC3	HB	Cr	Fe	
6WA1-TC	12,068	Truck Giga	SDI10132ZZ	6	1st	132.9	4.306	5.2	BF-K1	HB	Cr	Fe	1-12121-117-0
					2nd	132.9	3.0	5.2	T1-IC	HB	Cr	Fe	
					3rd	132.9	3.0	5.5	BI-TUC	CR	Cr	Fe	
					Oil	132.9	5.0	5.7	E-BC3	CR	Cr	Fe	
			SDI10158ZZ	6	1st	132.9	4.306	5.2	BF-K1	HB	Cr	Fe	1-12121-127-1 (cyl)
					2nd	132.9	3.0	5.2	T1-IC	HB	Cr	Fe	1-12121-136-0 (cyl)
					3rd	132.9	3.0	5.5	BI-TUC	CR	Cr	Fe	1-12121-142-0 (cyl)
					Oil	132.9	4.0	4.4	E-BC16	SR	GN	GN	
			SDI10173ZZ	6	1st	132.9	3.806	4.9	BF-K1	SR	GN	GN	
					2nd	132.9	3.0	5.2	T1-IC	HB	Cr	Fe	
					3rd	132.9	3.0	5.5	BI-TUC	CR	Cr	Fe	
					Oil	132.9	5.0	5.7	E-BC3	CR	Cr	Fe	
			SDI10174ZZ	6	1st	132.9	3.806	4.9	BF-K1	SR	GN	GN	1-12121-139-0 (cyl)
					2nd	132.9	3.0	5.2	T1-IC	HB	Cr	Fe	1-12121-141-0 (cyl)
					3rd	132.9	3.0	5.5	BI-TUC	CR	Cr	Fe	
					Oil	132.9	4.0	4.4	E-BC16	SR	GN	GN	

Engine Type	Exhaust quantity (c.c.)	Vehicle Model Chassis Type	NPR Catalog Code	Cyl No.	Position	Size (mm)			Shape	Material	Surface Treatment		Reference	
						d 1 (D)	h 1 (B)	a 1 (T)			Outside	Upper/Lower		
E120	12,023	TGK55E・75E TMK05E Truck VPR290 TDK46	SDI10050ZZ	6	1st	135.0	4.0	5.5	BF	HB	Cr	Fe	9-12181-149-0	
					2nd	135.0	2.5	5.5	T1	CR	Cr	Fe	1-12121-023-0 (cyl)	
					3rd	135.0	2.5	5.5	T1	CR	Fe	Fe		
					Oil	135.0	7.0	6.2	E-BC3	CR	Cr	Fe		
			SPM701 Bus 30KP 35KP BU4K	SDI10075ZZ	6	1st	135.0	4.0	5.5	BF	HB	Cr	Fe	1-12181-022-0
						2nd	135.0	2.5	5.5	TUC	HB	Cr	Fe	1-12121-034-0 (cyl)
						Oil	135.0	7.0	6.2	E-BC3	CR	Cr	Fe	
6RA1 6RA2	12,023	Truck SHM CXM 10.5ton	SDI10100ZZ	6	1st	135.0	4.0	5.5	BF	HB	Cr	Fe	1-12121-040-0 (cyl)	
					2nd	135.0	2.5	5.5	T1	CR	Cr	Fe	1-12121-037-0 (cyl)	
6RB1 6RB2	13,741	Truck SBM CXM 10.5ton			Oil	135.0	5.0	6.2	E-BC3	CR	Cr	Fe		
6RB1	13,741	Truck CXM 10.75ton L320PS	SDI10117ZZ	6	1st	135.0	4.0	5.5	BF	HB	Cr	Fe	1-12121-073-0	
					2nd	135.0	2.5	5.5	TUC	HB	Cr	Fe		
					Oil	135.0	4.0	4.3	E-C2	HB	Cr	Fe		
6RB1-TC	13,741	6R-L CXM	SJI10142ZZ	6	1st	135.0	4.5	5.5	BF	HB	Cr	Cr	1-12121-122-0 (cyl)	
					2nd	135.0	2.5	5.5	TUC	HB	Cr	Fe		
					Oil	135.0	4.0	4.3	E-BC16	HB	Cr	Fe		
6WG1UTMC 6WF1TMC		Truck Giga	SDI10182ZZ	6	1st	142.9	2.948	5.3	BF-K1	SR	GN	GN	1-12121-147-0	
					2nd	142.9	2.5	5.3	T1-IB	SR	GN	GN		
					3rd	142.9	3.0	5.9	B1-TUC	CR	Cr	Fe		
					Oil	142.9	4.0	4.4	E-BC16	SR	GN	GN		
8MA1	16,513	Truck SWG590 VWZ430 VWR340	SJI10073ZZ	V8	1st	145.0	4.0	5.9	BF	HB	Cr	Cr	1-12181-011-0	
					2nd	145.0	3.0	5.9	TUC	HB	Cr	Fe	1-12121-018-0 (cyl)	
					Oil	145.0	6.0	6.3	E-BC3	CR	Cr	Fe		
6WG1-TC	15,681	Truck Giga	SDI10167ZZ	6	1st	147.0	3.806	5.3	BF-K1	SR	GN	GN	1-12121-143-0	
					2nd	147.0	3.0	5.8	T1-IC	HB	Cr	Fe		
6WF1-TC	14,256	Tractor			3rd	147.0	3.0	6.1	B1-TUC	CR	Cr	Fe		
					Oil	147.0	4.0	4.4	E-BC16	SR	GN	GN		
			SDI10181ZZ	6	1st	147.0	2.948	5.5	BF-K1	SR	GN	GN	1-12121-144-0	
					2nd	147.0	2.5	5.5	T1-IB	SR	GN	GN		
					3rd	147.0	3.0	6.1	B1-TUC	CR	Cr	Fe		
					Oil	147.0	4.0	4.4	E-BC16	SR	GN	GN		

● Diesel-engine Automobiles ● ディーゼル車 ●

Engine Type	Exhaust quantity (c.c.)	Vehicle Model Chassis Type	NPR Catalog Code	Cyl No.	Position	Size (mm)			Shape	Material	Surface Treatment		Reference			
						d 1 (D)	h 1 (B)	a 1 (T)			Outside	Upper/Lower				
4D92	2,610	Bulldozer Power Shovel	SDK04012ZZ	4	1st	92.0	3.0	4.0	T1-K1	CR	Cr	Fe	6141-31-2020			
					2nd	92.0	3.0	4.0	T1	CR	Fe	Fe	6140-31-2040(cyl)			
					Oil	92.0	6.0	4.5	E-BC3	CR	Cr	Fe				
4D94	2,940	Bulldozer Power Shovel	SDK04015ZZ	4	1st	94.0	2.9	3.8	BF	HB	Cr	Fe	6142-32-2020			
					2nd	94.0	2.5	4.1	T1	CR	Fe	Fe	6142-32-2030(cyl)			
					Oil	94.0	5.0	4.4	E-BC16	CR	Cr	Fe				
4D95	3,260	Bulldozer Power Shovel Fork Lift	SDK04014ZY	4	1st	95.0	2.2	4.0	BF-K2	CR	Cr	Fe	6202-32-2300			
					2nd	95.0	2.2	4.0	T1-K2	CR	Fe	Fe				
					Oil	95.0	4.0	4.15	E-BC16	SR	GN	GN				
			SDK04031ZY	4	1st	95.0	2.0	4.0	BF	CR	Cr	Fe	6204-31-2200			
					2nd	95.0	2.0	4.0	T1-IC	CR	Fe	Fe	6204-31-2203			
					Oil	95.0	4.0	4.15	E-BC16	SR	GN	GN				
			S4D95			SDK04025ZZ	4	1st	95.0	2.2	4.0	BF-K2	CR	Cr	Fe	6202-32-2200
								2nd	95.0	2.0	4.0	T1	CR	Fe	Fe	
								Oil	95.0	4.0	4.15	E-BC16	SR	Cr	Fe	
SDK04040ZZ	4	1st	95.0	2.5	3.5	BF-K1	SR	GN	GN	6208-31-2300						
		2nd	95.0	2.0	4.0	TUC	CR	Cr	Fe							
		Oil	95.0	4.0	4.15	E-BC16	SR	GN	GN							
S6D95	4,890	Bulldozer Power Shovel	SDK04018ZX	6	1st	95.0	2.5	3.45	BF-K1	SR	Cr	Fe	6207-31-2500			
					2nd	95.0	2.2	4.0	T1-K2	CR	Cr	Fe				
					Oil	95.0	4.0	4.15	E-BC16	SR	GN	GN				
		Bulldozer Power Shovel	SDK04023ZZ	6	1st	95.0	2.5	3.7	BF-K1	HB	Cr	Fe	6209-31-2400			
					2nd	95.0	2.2	4.0	T1-K1-IC	HB	Cr	Fe				
					Oil	95.0	4.0	4.15	E-BC16	SR	Cr	Fe				
		Bulldozer Power Shovel	SDK04032ZZ	6	1st	95.0	2.5	3.7	BF-K1	HB	Cr	Fe	6207-31-2200(cyl)			
					2nd	95.0	2.0	4.0	T1-IC	CR	Fe	Fe				
					Oil	95.0	4.0	4.35	E-BC16	SR	GN	GN				
6D95 SA6D95	4,890	Bulldozer Power Shovel	SDK04019ZZ	6	1st	95.0	2.0	4.0	BF	CR	Cr	Fe	6204-31-2202			
					2nd	95.0	2.0	4.0	T1	CR	Fe	Fe				
					Oil	95.0	4.0	4.15	E-BC16	SR	Cr	Fe				
6D95			SDK04024ZY	6	1st	95.0	2.2	4.0	BF-K2	CR	Cr	Fe	6202-32-2200			
					2nd	95.0	2.0	4.0	T1	CR	Fe	Fe				
					Oil	95.0	4.0	4.15	E-BC16	SR	GN	GN				
S6D102	5,900	Bulldozer Power Shovel	SDK04027ZX	6	1st	102.0	2.875	4.05	BF-K1	SR	Cr	Fe	6732-31-2300			
					2nd	102.0	2.37	4.2	T1-IB	CR	Fe	Fe	6735-31-2030			
					Oil	102.0	4.0	4.35	E-BC16	SR	GN	GN				

Engine Type	Exhaust quantity (c.c.)	Vehicle Model Chassis Type	NPR Catalog Code	Cyl No.	Position	Size (mm)			Shape	Material	Surface Treatment		Reference					
						d 1 (D)	h 1 (B)	a 1 (T)			Outside	Upper/Lower						
S4D105	4,330	Bulldozer Power Shovel	SDK04009ZZ	4	1st	105.0	3.0	4.2	BF	HB	Cr	Fe	6136-31-2030(cyl)					
					2nd	105.0	2.5	4.5	T1-IC	CR	Fe	Fe	6136-31-2010 (cyl)					
					Oil	105.0	5.0	4.7	E-BC3	CR	Cr	Fe						
			SDK04033ZZ	4	1st	105.0	3.0	4.2	BF	HB	Cr	Fe	6130-31-2202(cyl)					
					2nd	105.0	3.0	4.2	T1	CR	Cr	Fe	6130-32-2202(cyl)					
					Oil	105.0	5.0	4.65	E-BC16	CR	Cr	Fe	6130-32-2302(cyl) 6130-32-2301(cyl)					
S4D105(NEW)	4,330	Bulldozer Power Shovel	SDK04010ZZ	4	1st	105.0	3.0	4.2	BF-K1	HB	Cr	Fe	6130-31-2200					
					2nd	105.0	2.5	4.5	T1-IC	CR	Fe	Fe	6130-31-2201					
					Oil	105.0	5.0	4.7	E-BC3	CR	Cr	Fe	6131-32-2302 6131-31-2301(cyl) 6130-31-2201 6131-32-2301(cyl)					
					6D105 S6D105	6,490	Bulldozer Power Shovel	SDK04016ZX	6	1st	105.0	3.0	3.85	BF-K1	SR	Cr	Fe	6137-31-2040
										2nd	105.0	2.5	4.5	T1-K2	CR	Cr	Fe	6137-31-2032
										Oil	105.0	5.0	4.7	E-BC3	CR	Cr	Fe	6137-31-2030
SDK04017ZZ	6	1st	105.0	3.0	4.2	BF	HB	Cr	Fe	6136-31-2010(cyl)								
		2nd	105.0	2.5	4.5	T1-IC	CR	Fe	Fe	6136-31-2030(cyl)								
		Oil	105.0	5.0	4.7	E-BC3	CR	Cr	Fe									
4D105 S4D105		Bulldozer Power Shovel	YDK04026ZZ	1	1st	105.0	2.984	4.375	BF-K1	HB	Cr	Fe						
					2nd	105.0	2.955	4.375	T1-K1-IC	HB	Cr	Fe						
					Oil	105.0	4.0	4.45	E-BC16	CR	Cr	Fe						
S4D106	4,411	Bulldozer Power Shovel	SDK04029ZZ	4	1st	106.0	2.5	3.7	BF-K2	SR	GN	GN	YM123900-22050					
					2nd	106.0	2.0	4.4	T1	CR	Fe	Fe						
					Oil	106.0	3.0	3.25	E-BC16	SR	GN	GN						
S6D107	6,128	Bulldozer Power Shovel	SDK04038ZZ	6	1st	107.0	2.85	4.4	BF-K1	HB	Cr	Fe	6754-31-2010					
					2nd	107.0	2.5	4.5	T1-RB	CR	Fe	Fe						
					Oil	107.0	3.5	4.15	E-BC16	CR	Cr	Fe						
6D108	7,150	Generator	SDK04020ZZ	6	1st	108.0	2.5	4.35	BF-K1	HB	Cr	Fe	6221-31-2200					
					2nd	108.0	2.53	4.35	T1-K1-IC	HB	Cr	Fe						
					Oil	108.0	4.0	4.15	E-BC16	SR	Cr	Fe						
6D110 S6D110	7,130	Generator	SDK04021ZZ	6	1st	110.0	3.0	4.4	BF-K1	HB	Cr	Fe	6138-32-2200					
					2nd	110.0	2.5	4.6	T1-K2	CR	Cr	Fe	6138-31-2020					
					Oil	110.0	5.0	4.05	E-BC16	SR	Cr	Fe						
6D114 SAA6D114E 6CT(Cummins)	8,264	Bulldozer Power Shovel	SDK04039ZZ (TCC-K-0049)	6	1st	114.0	3.325	4.7	BF-K1-IC	CR	Cr	Fe						
					2nd	114.0	2.85	4.7	T1-K1-RC	CR	Fe	Fe						
					Oil	114.0	4.0	4.35	E-BC16	SR	GN	GN						

Engine Type	Exhaust quantity (c.c.)	Vehicle Model Chassis Type	NPR Catalog Code	Cyl No.	Position	Size (mm)			Shape	Material	Surface Treatment		Reference
						d 1 (D)	h 1 (B)	a 1 (T)			Outside	Upper/Lower	
S4D120	7,240	Bulldozer Power Shovel	SDK04007ZZ	4	1st	120.0	3.5	4.8	BF	HB	Cr	Fe	6110-30-2301
					2nd	120.0	2.5	5.0	T1-IC	CR	Cr	Fe	6110-30-2302
					Oil	120.0	5.5	5.7	E-BC3	CR	Cr	Fe	6110-30-2303 6110-30-2401 6110-30-2402 6110-30-2403
SAA6D125E	11,040	Bulldozer	SDK04022ZZ	6	1st	125.0	2.5	5.0	BF-K1	HB	Cr	Fe	6150-31-2032
					2nd	125.0	2.5	5.0	T1-K1-IC	HB	Cr	Fe	6150-31-2033
					Oil	125.0	4.0	4.4	E-BC16	CR	Cr	Fe	6150-32-2030 6154-31-2030 6251-31-2030
6D125			SDK04034ZX	6	1st	125.0	2.5	4.7	BF	SR	GN	GN	6150-31-2030
					2nd	125.0	2.0	5.0	T1-IC	HB	Cr	Fe	
					Oil	125.0	3.0	3.1	E-BC16	SR	GN	GN	
SDK04035ZX			SDK04035ZX	6	1st	125.0	2.5	5.0	BF-K1	HB	Cr	Fe	6151-31-2031
					2nd	125.0	2.0	5.0	T1-IC	HB	Cr	Fe	
					Oil	125.0	3.0	3.1	E-BC16	SR	GN	GN	
4D130	8,490	Bulldozer Power Shovel	SDK04011ZZ	4	1st	130.0	3.5	5.1	BF	HB	Cr	Fe	6114-30-2303
					2nd	130.0	2.5	5.4	T1-IC	CR	Cr	Fe	6114-30-2403(cyl)
					Oil	130.0	5.5	5.8	E-BC3	CR	Cr	Fe	
6D140	15,240	Generator	SDK04028ZZ	6	1st	140.0	2.4	5.4	BF-K1	HB	Cr	Fe	6211-31-2031
					2nd	140.0	2.4	5.4	T1-K1-IC	HB	Cr	Fe	
					Oil	140.0	4.0	4.15	E-BC16	SR	Cr	Fe	
6D155	19,260	Bulldozer	SDK04008ZZ	6	1st	155.0	4.0	6.4	BF-K1	HB	Cr	Fe	6138-31-2022
					2nd	155.0	3.5	6.2	T1-IC	HB	Cr	Fe	6128-31-2023
					Oil1	155.0	6.0	5.7	E-BC1	CR	Cr	Fe	6128-31-2033(cyl)
					Oil2	155.0	5.0	6.2	BC3	CR	Cr	Fe	
S6D155 SA6D155	19,260	Bulldozer	SDK04013ZZ	6	1st	155.0	3.68	6.06	BF-K1	HB	Cr	Fe	6128-31-2060
					2nd	155.0	3.55	6.06	T1-K1-IC	HB	Cr	Fe	6128-31-2070(cyl)
					Oil	155.0	4.75	5.0	E-BC16	CR	Cr	Fe	

● Gasoline-engine Automobiles ● ガソリン車 ●

Engine Type	Exhaust quantity (c.c.)	Vehicle Model Chassis Type	NPR Catalog Code	Cyl No.	Position	Size (mm)			Shape	Material	Surface Treatment		Reference
						d 1 (D)	h 1 (B)	a 1 (T)			Outside	Upper/Lower	
R06A	658	Flair Carol Scrum	TCC-N-0701	3	1st	64.0	1.0		BF-IB	SR	GN	GN	12140-55S00
					2nd	64.0	1.0		TUC	SR	Fe	Fe	
					Oil	64.0	2.0		NIFF-H	SR	GN	GN	
B1	1,138	Festiva	SWT20051ZZ	4	1st	68.0	1.2	2.45	BF	SR	Cr	Fe	B1Y0-11-SCO
					2nd	68.0	1.5	3.1	TUC	CR	Fe	Fe	
					Oil	68.0	3.0	2.95	NIFF-S	SR	Cr	Fe	
TB	1,169	Familia	SXT20009ZZ	4	1st	70.0	2.0	3.1	BF	HB	Cr	Cr	0263-23-170
					2nd	70.0	2.0	3.1	TUC	CR	Fe	Fe	
					Oil	70.0	4.0	3.1	NIFF-S	SR	Cr	Fe	
PC	985	Familia	SWT20040ZZ	4	1st	70.0	1.5	3.1	BF	HB	Cr	Fe	8693-23-130
					2nd	70.0	1.5	3.1	T1	CR	Fe	Fe	
					Oil	70.0	4.0	3.1	NIFF-S	SR	Cr	Fe	
B3	1,324	Familia Festiva	SWT20052ZZ	4	1st	71.0	1.2	2.47	BF	SR	Cr	Fe	B3Y0-11-SCOA B3Y1-11-SCO
					2nd	71.0	1.5	3.1	TUC	CR	Fe	Fe	
					Oil	71.0	3.0	2.92	NIFF-S	SR	Cr	Fe	
TC	1,272	Familia 1300 Truck	SWT20026ZZ	4	1st	73.0	2.0	3.1	BF	HB	Cr	Fe	0324-23-175 0324-23-130
					2nd	73.0	2.0	3.1	TUC	CR	Fe	Fe	
					Oil	73.0	4.0	3.0	NIFF-S	SR	Cr	Fe	
			SWT20033ZZ	4	1st	73.0	1.5	3.1	BF	HB	Cr	Fe	8034-23-130 8034-23-130A
					2nd	73.0	1.5	3.1	T1	CR	Fe	Fe	
					Oil	73.0	4.0	3.0	NIFF-S	SR	Cr	Fe	
JF	1,997	Luce	SWT20079ZZ	V6	1st	74.0	1.5	2.85	BF	SR	Cr	Fe	JFY1-11-SCO
					2nd	74.0	1.5	3.4	TUC	CR	Fe	Fe	
					Oil	74.0	4.0	3.0	NIFF-S	SR	Cr	Fe	
ZJ-VEN	1,348	Demio	SWT20083ZZ	4	1st	74.0	1.0	2.45	BF-IB	SR	Cr	Fe	ZJY4-11-SCO
					2nd	74.0	1.0	2.5	TUC	SR	Fe	Fe	
					Oil	74.0	2.0	2.2	NIFF-H	SR	GN	GN	
ZJ-VE	1,348	Demio Mazda2	SWT20100ZZ	4	1st	74.0	1.2	2.45	BF-IB	SR	Cr	Fe	ZJY1-11-SCO
					2nd	74.0	1.2	2.9	TUC	CR	Fe	Fe	
					Oil	74.0	2.5	2.45	NIFF-H	SR	Cr	Fe	
UA UB	1,484	T1500 Craft	SCT20010ZZ	4	1st	75.0	2.5	3.3	T1	CR	Cr	Fe	0107-11-999
					2nd	75.0	2.5	3.3	TUC	CR	Fe	Fe	
					Oil	75.0	4.0	3.3	BC1	CR	Cr	Fe	
K8-DE	1,844	MX-3 Eunos 500 MS-6 Anfini	SWT20067ZZ	V6	1st	75.0	1.5	2.7	BF	SR	GN	GN	K8Y1-11-SCOA
					2nd	75.0	1.5	3.2	TUC	CR	Fe	Fe	
					Oil	75.0	3.0	2.55	NIFF-S	SR	GN	GN	

Engine Type	Exhaust quantity (c.c.)	Vehicle Model Chassis Type	NPR Catalog Code	Cyl No.	Position	Size (mm)			Shape	Material	Surface Treatment		Reference
						d 1 (D)	h 1 (B)	a 1 (T)			Outside	Upper/Lower	
Z5-DE	1,489	Familia	SWT20074ZZ	4	1st	75.3	1.0	2.7	BF	SR	GN	GN	Z5Y0-11-SCO
					2nd	75.3	1.2	3.2	TUC	CR	Fe	Fe	
					Oil	75.3	2.5	2.55	NIFF-S	SR	GN	GN	
UC	1,415	Familia Bongo	SWT20036ZZ	4	1st	77.0	1.5	2.85	BF	SR	Cr	Fe	8569-23-130
					2nd	77.0	1.5	3.2	T1	CR	Fe	Fe	
					Oil	77.0	4.0	3.05	NIFF-S	SR	Cr	Fe	
E3	1,296	Familia Mazda 323	SWT20037ZZ	4	1st	77.0	1.2	3.25	BF	SR	Cr	Fe	E301-23-130
					2nd	77.0	1.5	3.2	TUC	CR	Cr	Fe	
					Oil	77.0	4.0	3.05	NIFF-S	SR	GN	GN	
E5	1,490		SWT20045ZZ	4	1st	77.0	1.5	2.9	BF	SR	GN	GN	E302-23-130A
					2nd	77.0	2.0	3.3	TUC	CR	Fe	Fe	
					Oil	77.0	4.0	3.05	NIFF-S	SR	GN	GN	
VB	1,796	Luce (626) Ford Courier	SWT20025ZZ	4	1st	78.0	1.5	3.6	T1	CR	Cr	Fe	0290-23-130 0494-23-130 3763-23-130 0290-23-131
					2nd	78.0	1.5	3.6	TUC	CR	Fe	Fe	
					Oil	78.0	4.0	3.05	NIFF-S	SR	Cr	Fe	
NA(NEW)	1,796	Luce 1800 Capella (626) Bongo Pick UP Van	SWT20035ZZ	4	1st	78.0	1.2	3.6	BF	HB	Cr	Fe	8170-23-130 8170-23-130A 8658-23-130 H604-23-130
					2nd	78.0	1.5	3.6	TUC	CR	Fe	Fe	
					Oil	78.0	4.0	3.05	NIFF-S	SR	Cr	Fe	
NA-2	1,586	Luce B1600 Pick up Truck	SWT20049ZZ	4	1st	78.0	1.5	3.1	BF	SR	GN	GN	H617-23-130
					2nd	78.0	2.0	3.6	TUC	CR	Fe	Fe	
					Oil	78.0	4.0	3.05	NIFF-S	SR	GN	GN	
B6T B6-ME B6-ZE	1,597	Familia Van Capella Cargo Van Familia Wagon	SWT20060ZZ	4	1st	78.0	1.5	3.1	BF	SR	GN	GN	B6Y0-11-SCOA
					2nd	78.0	1.5	3.4	TUC	CR	Fe	Fe	
					Oil	78.0	4.0	3.0	NIFF-S	SR	GN	GN	
		Capella Familia Van	SWT20063ZZ	4	1st	78.0	1.5	3.05	BF-IB	SR	Cr	Fe	B6Y3-11-SCOA
					2nd	78.0	1.5	3.4	TUC	CR	Fe	Fe	
					Oil	78.0	3.0	3.05	NIFF-S	SR	GN	GN	
ZL-DE	1,498	Familia Familia S Wagon	SWT20080ZZ	4	1st	78.0	1.2	2.65	BF	SR	Cr	Fe	ZLY0-11-SCO
					2nd	78.0	1.5	3.2	TUC	CR	Fe	Fe	
					Oil	78.0	3.0	3.0	NIFF-S	SR	Cr	Fe	
ZY-VE	1,498	Axela Demio Mazda2	SWT20087ZZ	4	1st	78.0	1.2	2.45	BF-IB	SR	Cr	Fe	ZYY1-11-SCO ZYY2-11-SCO
					2nd	78.0	1.2	3.3	TUC	CR	Fe	Fe	
					Oil	78.0	2.5	2.45	NIFF-H	SR	GN	GN	
ZMD ZM-DE	1,598	Familia Mazda3	TCC-Q-0745	4	1st	78.0	1.2		BF	SR	GN	GN	ZMY0-11-SCO
					2nd	78.0	1.5		TUC	CR	Fe	Fe	
					Oil	78.0	3.0		NIFF-S	SR	GN	GN	

Engine Type	Exhaust quantity (c.c.)	Vehicle Model Chassis Type	NPR Catalog Code	Cyl No.	Position	Size (mm)			Shape	Material	Surface Treatment		Reference
						d 1 (D)	h 1 (B)	a 1 (T)			Outside	Upper/Lower	
VC	1,769	Luce Van Deluxe 1800 Cosmo	SWT20030ZZ	4	1st	80.0	2.0	3.6	BF	HB	Cr	Fe	0453-23-130B
					2nd	80.0	2.0	3.6	TUC	CR	Fe	Fe	3975-23-130
					Oil	80.0	4.0	3.25	NIFF-S	SR	Cr	Fe	
MA(NEW)	1,995	Luce (929L) Cosmo (121L)	SWT20031ZZ	4	1st	80.0	1.2	3.45	BF	SR	Cr	Fe	8682-23-130
					2nd	80.0	1.5	3.6	TUC	CR	Fe	Fe	8682-23-130A
VC(NEW)	1,769	Capella (626) Ford Courier			Oil	80.0	4.0	3.25	NIFF-S	SR	Cr	Fe	D97Z-6149 HE18-23-130
MA VB(Bore up)	1,970	B2000 626 (2000) Cosmo	SWT20042ZZ	4	1st	80.0	1.5	3.45	BF	SR	Cr	Fe	HE05-23-130
					2nd	80.0	2.0	3.6	TUC	CR	Fe	Fe	
					Oil	80.0	4.0	3.25	NIFF-S	SR	Cr	Fe	
F6	1,587	Capella	SWT20054ZZ	4	1st	81.0	1.5	3.1	BF	SR	GN	GN	F601-23-130
					2nd	81.0	1.5	3.5	TUC	CR	Fe	Fe	F601-23-130A
					Oil	81.0	4.0	3.05	NIFF-S	SR	GN	GN	
VA	1,985	E2000 Titan F2000 Bus	SCT20012ZZ	4	1st	82.0	2.5	3.6	T1	CR	Cr	Fe	0164-11-999
					2nd	82.0	2.5	3.6	T1	CR	Fe	Fe	
					Oil	82.0	4.5	3.6	BC16	CR	Cr	Fe	
0552 VA	1,985	Titan G2000	SWT20021ZZ	4	1st	82.0	2.0	3.6	BF	HB	Cr	Fe	1352-23-130
					2nd	82.0	2.0	3.6	T1	CR	Fe	Fe	0552-23-180
					Oil	82.0	4.5	3.3	NIFF-S	SR	Cr	Fe	0552-23-190
BP01 BP05 BP05-4W BP05-VE	1,839	Familia Eunos 100 Lantis Roadstar	SWT20066ZZ	4	1st	83.0	1.5	3.3	BF-IB	SR	GN	GN	BPY1-11-SCO
					2nd	83.0	1.5	3.6	TUC	CR	Fe	Fe	
					Oil	83.0	3.0	2.8	NIFF-S	SR	GN	GN	
FS FS-DE	1,991	Capella MPV MS6 Cronos	SWT20078ZZ	4	1st	83.0	1.2	3.1	BF-IB	SR	GN	GN	FSY2-11-SCO
					2nd	83.0	1.5	3.6	TUC	CR	Fe	Fe	
					Oil	83.0	3.0	3.2	NIFF-S	SR	Cr	Fe	
L8-DE L8-VE	1,798	Mazda5 Mazda6 Mazda MX-5 Premacy	SWT20101ZZ (TCC-J-0051)	4	1st	83.0	1.2	2.85	BF	SR	Cr	Fe	L8Y1-11-SCOA
					2nd	83.0	1.2	3.3	TUC	CR	Fe	Fe	
					Oil	83.0	2.5	2.7	NIFF-H	SR	Cr	Fe	
PE-VPS SKYACTIV-G 2.0	1,998	CX-3 CX-5 Mazda3 Mazda6 Miata MX5	SWT20102ZZ	4	1st	83.5	1.0	2.5	BF-IB	SR	GN	GN	PEY1-11-SCO
					2nd	83.5	1.0	2.5	TUC	SR	Fe	Fe	
					Oil	83.5	2.0	2.45	NIFF-H	SR	Cr	Fe	
KL-DE KL-G4	2,496	MX6 MS8 Eunos 800	SWT20073ZZ	V6	1st	84.5	1.5	3.05	BF	SR	Cr	Fe	KLY1-11-SCO
					2nd	84.5	1.5	3.6	TUC	CR	Fe	Fe	KLY2-11-SCO
					Oil	84.5	3.0	2.9	NIFF-S	SR	Cr	Fe	

Engine Type	Exhaust quantity (c.c.)	Vehicle Model Chassis Type	NPR Catalog Code	Cyl No.	Position	Size (mm)			Shape	Material	Surface Treatment		Reference
						d 1 (D)	h 1 (B)	a 1 (T)			Outside	Upper/Lower	
F8-DE	1,789	Capella Capella Wagon Eunos 300	SWT20048ZZ	4	1st	86.0	1.5	3.25	BF	SR	Cr	Fe	F801-23-130
					2nd	86.0	1.5	3.8	TUC	CR	Fe	Fe	
					Oil	86.0	4.0	3.2	NIFF-S	SR	Cr	Fe	
FE-DE	1,998	Luce Eunos 300 Bongo Capella Wagon	SWT20065ZZ	4	1st	86.0	1.5	3.1	BF	SR	GN	GN	F2Y1-11-SCO
					2nd	86.0	1.5	3.8	TUC	CR	Fe	Fe	F2Y2-11-SCO
					Oil	86.0	4.0	3.25	NIFF-S	SR	GN	GN	F8Y1-11-SCO
L3-VE	2,260	Atenza MPV Mazda3 Mazda5 Mazda6 B2300 Tribute	SWT20090ZZ	4	1st	87.5	1.2	2.7	BF-IB	SR	GN	GN	L3Y1-11-SCO
					2nd	87.5	1.2	3.4	TUC	CR	Fe	Fe	L3Y6-11-SCO
					Oil	87.5	2.5	2.6	NIFF-S	SR	GN	GN	L3Y3-11-SCO
LF-VE	1,998	Atenza Axela	SWT20089ZZ	4	1st	87.5	1.2	2.85	BF	SR	Cr	Fe	LFY1-11-SCO
					2nd	87.5	1.2	3.4	TUC	CR	Fe	Fe	LFY1-82-SC2B
					Oil	87.5	2.5	2.8	NIFF-S	SR	Cr	Fe	
L5-VE	2,488	Atenza Atenza Sports	SWT20097ZZ	4	1st	89.0	1.2	2.9	BF-IB	SR	GN	GN	L5Y3-11-SCO
					2nd	89.0	1.2	3.8	TUC	CR	Fe	Fe	
					Oil	89.0	2.5	2.45	NIFF-H	SR	GN	GN	
SKYACTIV-G2.5	2,488	CX-5 CX-8 CX-30 Mazda3 Mazda6	TCC-Q-0742	4	1st	89.0	1.0		BF-IB	SR	GN	GN	PYY4-11-SCO
					2nd	89.0	1.0		TUC	SR	Fe	Fe	
					Oil	89.0	2.0		NIFF-H	SR	GN	GN	
U	2,983	B3000 Valcan V6	SWT20075ZZ	V6	1st	89.0	1.5	3.45	BF	SR	Cr	Fe	ZZMD-23-130
					2nd	89.0	1.5	3.7	TUC	CR	Fe	Fe	
					Oil	89.0	4.0	3.2	NIFF-S	SR	Cr	Fe	
JE JE48 JE-ZE27	2,954	MPV Centier Luce	SWT20062ZZ	V6	1st	90.0	1.5	3.3	BF	SR	GN	GN	JEY1-11-SCO
					2nd	90.0	1.5	3.8	TUC	CR	Fe	Fe	
					Oil	90.0	4.0	3.25	NIFF-S	SR	GN	GN	
G6	2,606	MPV Proceed	SWT20064ZZ	4	1st	92.0	1.5	3.3	BF-IB	SR	Cr	Fe	G601-11-SCOA
					2nd	92.0	1.5	4.1	TUC	CR	Fe	Fe	
					Oil	92.0	4.0	3.2	NIFF-S	SR	Cr	Fe	
A	2,298	B2300	SWT20071ZZ	4	1st	96.0	1.5	4.0	BF	CR	Cr	Fe	ZZM0-23-130
					2nd	96.0	1.5	4.0	TUC	CR	Fe	Fe	ZZM9-23-130
					Oil	96.0	4.0	3.25	NIFF-S	SR	Cr	Fe	
C	2,507	B2500	SWT20076ZZ	4	1st	96.0	1.5	4.0	BF	CR	Cr	Fe	ZZP0-23-130
					2nd	96.0	1.5	4.0	TUC	CR	Fe	Fe	
					Oil	96.0	3.0	3.45	NIFF-S	SR	Cr	Fe	
XS	4,016	B4000 Cologne V6	SWT20072ZZ	V6	1st	100.4	1.6	4.0	BF	CR	Cr	Fe	ZZM2-23-130
					2nd	100.4	1.75	4.0	TUC	CR	Fe	Fe	ZZMB-23-130
					Oil	100.4	3.5	3.15	NIFF-S	SR	Cr	Fe	ZZP2-23-130

● Diesel-engine Automobiles ● ディーゼル車 ●

Engine Type	Exhaust quantity (c.c.)	Vehicle Model Chassis Type	NPR Catalog Code	Cyl No.	Position	Size (mm)			Shape	Material	Surface Treatment		Reference
						d 1 (D)	h 1 (B)	a 1 (T)			Outside	Upper/Lower	
PN	1,720	Familia Diesel	SDT20070ZZ	4	1st	78.0	2.0	2.9	BF	SR	GN	GN	PN11-11-SCO
					2nd	78.0	1.5	3.2	T1-IB	CR	Cr	Fe	PNY2-11-SCO
					Oil	78.0	3.0	3.25	E-BC16	SR	GN	GN	
R2	2,184	Bongo Brawny Bongo Van Truck	SDT20041ZX	4	1st	86.0	2.0	3.05	BF-IB	SR	Cr	Fe	R201-23-130B
					2nd	86.0	2.0	3.6	T1-IC	CR	Fe	Fe	R201-23-130C
					Oil	86.0	4.0	4.15	E-BC16	SR	GN	GN	
RFX	1,998	Capella	SDT20055ZZ	4	1st	86.0	2.0	3.1	BF-K3	SR	GN	GN	RF01-23-130
					2nd	86.0	2.0	3.6	T1-IC	CR	Cr	Fe	RFY0-11-SCOD
					Oil	86.0	4.0	4.35	E-BC16	SR	GN	GN	
			SDT20068ZZ	4	1st	86.0	2.0	3.1	BF-K3	SR	GN	GN	RFY0-11-SCOF
					2nd	86.0	2.0	3.6	T1-IC	CR	Cr	Fe	
					Oil	86.0	3.0	3.25	E-BC16	SR	GN	GN	
R2(NEW)	2,184	Bongo	SDT20059ZY	4	1st	86.0	2.0	3.05	BF-IB	SR	Cr	Fe	R2B6-11-SCO
					2nd	86.0	2.0	3.6	T1-IC	CR	Cr	Fe	
					Oil	86.0	3.0	3.05	E-BC16	SR	GN	GN	
SKYACTIV-D2.2	2,188	CX-5 Atenza	SDT20091ZZ	4	1st	86.0	2.0	2.7	BF-IB	SR	GN	GN	SHY1-11-SCO
					2nd	86.0	1.5	2.7	T1-IB	SR	GN	GN	
					Oil	86.0	2.0	2.75	E-BC16	SR	GN	GN	
R2D	2,184	Bongo	SDT20084ZZ	4	1st	86.0	2.0	3.1	BF-K2	SR	GN	GN	R2Y2-11-SCO
					2nd	86.0	2.0	3.6	T1-IC	CR	Cr	Fe	
					Oil	86.0	3.0	3.0	E-BC16	SR	GN	GN	
L3-VDT	2,260	CX-7 Mazda3 Mazda6 Mazda Speed3 Mazda Speed6	SDT20099ZZ	4	1st	87.5	1.5	3.1	BF	SR	GN	GN	L3Y4-11-SCO
					2nd	87.5	1.5	3.7	TUC	CR	Fe	Fe	
					Oil	87.5	2.0	2.75	E-BC16	SR	GN	GN	
XA	2,552	E2500 EXA32S Parkins EXA33S EXA35S	SCT20016ZZ	4	1st	88.9	2.383	3.5	BF	HB	Cr	Fe	0559-23-206
					2nd	88.9	2.383	3.5	T1-IC	HB	Fe	Fe	0559-23-207
					3rd	88.9	2.383	3.5	T1-IC	HB	Fe	Fe	0636-23-206
					Oil 1	88.9	4.763	3.5	BC3	HB	Cr	Fe	0636-23-207
					Oil 2	88.9	4.763	3.5	C1	HB	Fe	Fe	0636-23-210
S2	2,209	Luce (929L) Bongo Diesel	SDT20032ZX	4	1st	88.925	2.383	3.45	BF	SR	Cr	Fe	1456-23-206
					2nd	88.925	2.383	3.5	T1-IC	CR	Fe	Fe	
					Oil	88.925	4.763	4.6	E-BC16	SR	GN	GN	
XA(NEW)	2,522	LA4S BA25B BA259	SDT20032ZX	4	1st	88.925	2.383	3.45	BF	SR	Cr	Fe	1456-23-206
					2nd	88.925	2.383	3.5	T1-IC	CR	Fe	Fe	
					Oil	88.925	4.763	4.6	E-BC16	SR	GN	GN	

Engine Type	Exhaust quantity (c.c.)	Vehicle Model Chassis Type	NPR Catalog Code	Cyl No.	Position	Size (mm)			Shape	Material	Surface Treatment		Reference
						d 1 (D)	h 1 (B)	a 1 (T)			Outside	Upper/Lower	
ZB XB EZA	4,052	T4100 Trader	SDT20034ZX	6	1st	92.025	2.383	3.45	BF	SR	Cr	Fe	V101-23-206
					2nd	92.025	2.383	3.6	T1-IC	CR	Cr	Fe	
					Oil	92.025	4.763	4.6	E-BC16	SR	GN	GN	
WLT	2,499	Bongo Bongo Friendee	SDT20061ZY	4	1st	93.0	2.5	3.5	BF-IB	SR	GN	GN	WLY1-11-SCO
					2nd	93.0	2.0	3.9	T1-IB	CR	Cr	Fe	
					Oil	93.0	3.0	3.25	E-BC16	SR	GN	GN	
WLC	2,499	BT-50	SDT20092ZZ	4	1st	93.0	2.0	3.3	BF-IB	SR	GN	GN	WLY6-11-SCO
					2nd	93.0	1.5	3.3	T1	CR	Cr	Fe	
					Oil	93.0	2.0	2.75	E-BC16	SR	GN	GN	
W9	2,849	BT-50	SDT20085ZZ	4	1st	95.0	2.5	3.75	BF-IB	HB	Cr	Fe	W9Y1-11-SCO
					2nd	95.0	2.0	3.9	T1-IC	CR	Cr	Fe	
					Oil	95.0	3.0	3.85	E-BC16	CR	Cr	Fe	
HA	2,977	Titan E3000	SDT20028ZX	4	1st	95.025	2.383	3.45	BF	SR	Cr	Fe	1363-23-206 SE01-23-206 SE01-23-130
					2nd	95.025	2.383	3.8	T1-IC	CR	Fe	Fe	
					Oil	95.025	4.763	4.65	E-BC16	SR	GN	GN	
WE(3.0L)	2,953	BT-50	SDT20093ZZ	4	1st	96.0	2.0	3.3	BF	SR	GN	GN	WEY1-11-SCO
					2nd	96.0	1.5	3.3	T1	SR	GN	GN	
					Oil	96.0	2.0	2.75	E-BC16	SR	GN	GN	
VS	2,956		SDT20082ZZ	4	1st	98.0	2.5	3.4	BF-IB	HB	Cr	Fe	VSY1-11-SCOD
					2nd	98.0	2.0	3.9	T1-IC	CR	Cr	Fe	
					Oil	98.0	3.0	3.25	E-BC16	SR	GN	GN	
SL	3,455	Titan Truck Titan Dump	SDT20044ZX	4	1st	100.0	2.5	3.65	BF-K2	SR	Cr	Fe	SL01-23-206
					2nd	100.0	2.0	4.2	T1-IC	CR	Cr	Fe	
					Oil	100.0	4.5	4.6	E-BC16	SR	GN	GN	
			SDT20046ZX	4	1st	100.0	2.5	3.65	BF	SR	Cr	Fe	SL50-11-SCO SL07-23-206 SLA1-11-SCO
					2nd	100.0	2.0	4.2	T1-IC	CR	Cr	Fe	
					Oil	100.0	4.5	4.6	E-BC16	SR	GN	GN	
TF70	4,021	Titan	SDT20069ZZ	4	1st	105.505	2.5	3.9	BF	SR	GN	GN	TF70-11-SCO
					2nd	105.505	2.0	4.6	T1-IC	CR	Cr	Fe	
					Oil	105.505	3.0	3.25	E-BC16	SR	GN	GN	
TF	4,021	Titan	SDT20057ZZ	4	1st	105.505	2.5	4.5	BF-K3	HB	Cr	Fe	TF01-11-SCO
					2nd	105.505	2.0	4.6	T1-IC	CR	Cr	Fe	
					Oil	105.505	4.5	4.6	E-BC3	CR	Cr	Fe	

Engine Type	Exhaust quantity (c.c.)	Vehicle Model Chassis Type	NPR Catalog Code	Cyl No.	Position	Size (mm)			Shape	Material	Surface Treatment		Reference
						d 1 (D)	h 1 (B)	a 1 (T)			Outside	Upper/Lower	
TM	4,553	Titan	SDT20081ZZ	4	1st	109.0	3.0	3.7	BF-K2	SR	GN	GN	TMY0-11-SCO
					2nd	109.0	2.0	4.6	T1-IC	CR	Cr	Fe	
					Oil	109.0	3.0	3.25	E-BC16	SR	GN	GN	

DAIHATSU
SUBARU
HINO
HONDA
ISUZU
KOMATSU
MAZDA
MITSUBISHI
NISSAN
UD TRUCKS
SUZUKI
TOYOTA
DAEWOO
HYUNDAI
KIA
ASIA
CHRYSLER
FORD
GM

● Gasoline-engine Automobiles ● ガソリン車 ●

Engine Type	Exhaust quantity (c.c.)	Vehicle Model Chassis Type	NPR Catalog Code	Cyl No.	Position	Size (mm)			Shape	Material	Surface Treatment		Reference
						d 1 (D)	h 1 (B)	a 1 (T)			Outside	Upper/Lower	
2G10-2	359	Minica Super Deluxe Minica Sports	SBM30052ZZ	2	1st	62.0	2.5	2.6	BF-K2	HB	Cr	Fe	MD205535
					2nd	62.0	2.5	2.8	P	CR	Fe	Fe	MT205535
					3rd	62.0	2.5	2.8	P	CR	Fe	Fe	
2G21	359	Minica F4	SWM30073ZZ	2	1st	62.0	1.5	2.8	BF	CR	Cr	Fe	MD016760
					2nd	62.0	1.5	2.8	T1	CR	Fe	Fe	MD016765
					Oil	62.0	2.5	3.4	NIFF-S	SR	Cr	Fe	
R06A	658	Minicab	TCC-N-0701	3	1st	64.0	1.0		BF-IB	SR	GN	GN	12140-55S00
					2nd	64.0	1.0		TUC	SR	Fe	Fe	
					Oil	64.0	2.0		NIFF-H	SR	GN	GN	
3G82	796	Minicab 800	SWM31067ZZ	3	1st	65.0	1.5	2.5	BF	SR	GN	GN	MD120081
					2nd	65.0	1.5	2.9	T1	CR	Cr	Fe	
					Oil	65.0	2.8	2.5	NIFF-S	SR	Cr	Fe	
4G82	1,061	CMC Varica Minicab	SWM31068ZZ	4	1st	65.0	1.5	2.5	BF	SR	GN	GN	
					2nd	65.0	1.5	2.9	T1	CR	Cr	Fe	
					Oil	65.0	2.8	2.5	NIFF-S	SR	Cr	Fe	
3G83	657	Minica Minicab Minica Toppo	SWM31144ZZ	3	1st	65.0	1.2	2.25	BF	SR	Cr	Fe	MD160199
					2nd	65.0	1.2	2.75	T1	CR	Fe	Fe	
					Oil	65.0	2.8	2.5	NIFF-S	SR	Cr	Fe	
			SWM31158ZZ	3	1st	65.0	1.0	2.25	BF-IB	SR	Cr	Fe	MD362974
					2nd	65.0	0.8	2.45	T1	HB	Fe	Fe	
					Oil	65.0	2.0	2.5	NIFF-H	SR	Cr	Fe	
4A31	1,094	Pajero Toppo	SWM31136ZZ	4	1st	66.0	1.0	2.25	BF	SR	Cr	Fe	
					2nd	66.0	1.2	2.9	T1	CR	Fe	Fe	
					Oil	66.0	2.5	2.75	NIFF-S	SR	Cr	Fe	
4G11-EC	1,244	Colt Lancer	SWM31061ZZ	4	1st	68.2	1.5	2.7	BF	SR	GN	GN	MD030360
					2nd	68.2	1.5	3.1	T1	CR	Fe	Fe	MD031730
					Oil	68.2	4.0	3.15	NIFF-S	SR	GN	GN	MD115495
4G11	1,244	Mirage Lancer Dodge Colt	SWM31026ZZ	4	1st	69.5	1.5	3.1	BF	CR	Cr	Fe	MD030350
					2nd	69.5	1.5	3.1	T1	CR	Fe	Fe	MD031670
					Oil	69.5	4.0	3.2	NIFF-S	SR	Cr	Fe	
2G23	546	Minica 550 Minicab Wide 550	SWM31009ZZ	2	1st	70.0	1.5	3.1	BF	CR	Cr	Fe	MD019610
					2nd	70.0	1.5	3.1	T1	CR	Fe	Fe	
					Oil	70.0	2.5	3.05	NIFF-S	SR	Cr	Fe	
4G42	1,187	Lancer 1200 Colt	SWM31012ZZ	4	1st	71.0	2.0	3.3	BF	CR	Cr	Fe	MD010850
					2nd	71.0	2.0	3.3	T1	CR	Fe	Fe	MD010735
					Oil	71.0	4.0	3.85	NIFF-S	SR	Cr	Fe	

Engine Type	Exhaust quantity (c.c.)	Vehicle Model Chassis Type	NPR Catalog Code	Cyl No.	Position	Size (mm)			Shape	Material	Surface Treatment		Reference
						d 1 (D)	h 1 (B)	a 1 (T)			Outside	Upper/Lower	
4G13	1,298	Mirage Lancer	SWM31062ZY	4	1st	71.0	1.5	2.65	BF	SR	Cr	Fe	MD074687
					2nd	71.0	1.5	3.1	T1	CR	Fe	Fe	MD078543
					Oil	71.0	4.0	3.25	NIFF-S	SR	Cr	Fe	MD115490
			SWM31082ZX	4	1st	71.0	1.2	2.47	BF	SR	Cr	Fe	MD158908
					2nd	71.0	1.5	3.1	T1	CR	Fe	Fe	
					Oil	71.0	3.0	2.85	NIFF-S	SR	Cr	Fe	
			SWM31141ZZ	4	1st	71.0	1.2	2.5	BF	SR	GN	GN	MD335422
					2nd	71.0	1.5	3.1	T1	CR	Fe	Fe	
					Oil	71.0	2.8	2.55	NIFF-S	SR	GN	GN	
4G17	1,343	Mirage Colt	SWM31099ZZ	4	1st	72.2	1.2	2.5	BF	SR	GN	GN	MD165325
2nd	72.2	1.5	3.1	T1	CR	Fe	Fe						
Oil	72.2	3.0	2.85	NIFF-S	SR	GN	GN						
4G30	1,289	Galant Lancer	SWM30057ZZ	4	1st	73.0	2.0	3.3	BF	CR	Cr	Fe	
2nd	73.0	2.0	3.3	T1	CR	Fe	Fe						
Oil	73.0	4.0	3.0	NIFF-S	SR	Cr	Fe						
4G36	1,238	Pony Lancer	SWM31016ZZ	4	1st	73.0	1.5	3.3	BF	SR	Cr	Fe	MD009625
2nd	73.0	1.5	3.3	T1	CR	Fe	Fe	MD115500					
Oil	73.0	4.0	3.0	NIFF-S	SR	Cr	Fe						
4G33	1,439	Galant Lancer Celeste Delica Fork Lift	SWM31024ZZ	4	1st	73.0	1.5	2.7	BF	SR	GN	GN	
2nd	73.0	1.5	3.3	T1	CR	Fe	Fe						
Oil	73.0	4.0	3.2	NIFF-S	SR	GN	GN						
4G12	1,410	Lancer Celeste Mirage Plymouth Champ	SWM31027ZZ	4	1st	74.0	1.5	3.3	BF	CR	Cr	Fe	MD030355
2nd	74.0	1.5	3.3	T1	CR	Fe	Fe	MD012025					
Oil	74.0	4.0	3.3	NIFF-S	SR	Cr	Fe		MD012035				
4G31B	1,499	Mirage Galant	SWM31130ZZ	4	1st	74.5	1.5	2.85	BF	SR	Cr	Fe	MD107368
					2nd	74.5	1.5	3.2	T1	CR	Fe	Fe	
					Oil	74.5	4.0	3.2	NIFF-S	SR	Cr	Fe	
6G71	1,998	Debonaire Diamante Galant Σ	SWM31133ZZ	V6	1st	74.7	1.5	3.25	BF	SR	Cr	Fe	MD104889
2nd	74.7	1.5	3.3	T1	CR	Fe	Fe	MD124452					
Oil	74.7	4.0	3.2	NIFF-S	SR	Cr	Fe						
3A90	999	Mirage Colt	SWM31168ZZ	3	1st	75.0	1.2	2.5	BF	SR	GN	GN	MN195612
2nd	75.0	0.8			2.5	T1	SR	Fe	Fe				
Oil	75.0	2.0			1.95	NIFF-H	SR	GN	GN				
3A91	1,124	Attrage	SWM31170ZZ	3	1st	75.0	1.0	2.3	BF	SR	GN	GN	1110B699
2nd	75.0	1.2			2.7	T1	CR	Fe	Fe				
Oil	75.0	2.0			1.95	NIFF-H	SR	GN	GN				

Engine Type	Exhaust quantity (c.c.)	Vehicle Model Chassis Type	NPR Catalog Code	Cyl No.	Position	Size (mm)			Shape	Material	Surface Treatment		Reference	
						d 1 (D)	h 1 (B)	a 1 (T)			Outside	Upper / Lower		
4A91	1,499	Colt Colt Plus Lancer	SWM31174ZZ	4	1st	75.0	1.2	2.5	BF	SR	GN	GN	1110C722	
					2nd	75.0	0.8	2.5	T1	SR	Fe	Fe		
					Oil	75.0	2.0	1.95	NIFF-H	SR	GN	GN		
4G15	1,468	Mirage Liberio Cargo Lancer Proton	SWM31063ZY	4	1st	75.5	1.5	2.85	BF	SR	Cr	Fe	MD074725	
					2nd	75.5	1.5	3.3	T1	CR	Fe	Fe	MD078548	
					Oil	75.5	4.0	3.25	NIFF-S	SR	Cr	Fe	MD104656	
			SWM31076ZZ	4	1st	75.5	1.2	2.7	BF	SR	GN	GN	MD158549	
					2nd	75.5	1.5	3.3	T1	CR	Fe	Fe	MD180804	
					Oil	75.5	3.0	2.8	NIFF-S	SR	GN	GN		
			SWM31126ZZ	4	1st	75.5	1.2	2.7	BF	SR	GN	GN		
					2nd	75.5	1.2	3.3	T1	CR	Fe	Fe		
					Oil	75.5	2.8	2.5	NIFF-S	SR	Cr	Fe		
			SWM31145ZZ	4	1st	75.5	1.2	2.7	BF	SR	GN	GN	MD333896	
					2nd	75.5	1.5	3.3	T1	CR	Fe	Fe	MD332715	
					Oil	75.5	2.8	2.5	NIFF-S	SR	Cr	Fe	MD331313	
4G19	1,343	Colt	SWM31176ZZ	4	1st	75.5	1.0	2.7	BF	SR	GN	GN	MN119569	
					2nd	75.5	1.2	2.7	TUC	CR	Cr	Fe		
					Oil	75.5	2.0	2.2	NIFF-H	SR	GN	GN		
2G24	548	Minica	SWM31064ZZ	2	1st	76.0	1.5	3.05	BF	SR	Cr	Fe	MD018280	
					2nd	76.0	1.5	3.3	T1	CR	Cr	Fe		
					Oil	76.0	2.5	2.8	NIFF-S	SR	Cr	Fe		
4G18	1,584	Lancer	SWM31117ZZ	4	1st	76.0	1.2	2.7	BF	SR	GN	GN	MD349422	
					2nd	76.0	1.5	3.1	TUC	CR	Fe	Fe		
					Oil	76.0	2.8	2.55	NIFF-S	SR	GN	GN		
4G18P	1,584	Proton Waja	SWM31127ZZ	4	1st	76.0	1.2	2.7	BF	SR	GN	GN	MD361983 MD361982	
					2nd	76.0	1.2	3.2	TUC	CR	Fe	Fe		
					Oil	76.0	2.5	2.55	NIFF-S	SR	GN	GN		
4G41	1,378	Galant Coupe FTO Delica	SWM30078ZZ	4	1st	76.5	2.0	3.5	BF	CR	Cr	Fe	MD010710 MD010715 MD011893	
					2nd	76.5	2.0	3.5	T1	CR	Cr	Fe		
					Oil	76.5	4.0	3.6	NIFF-S	SR	Cr	Fe		
4G32	1,597	Colt Galant Σ Sapporo Lancer Celeste Mirage Delica	SWM31005ZZ	4	1st	76.9	2.0	3.5	BF	CR	Cr	Fe	MD000725 MD004709 MD004739 MD004770 MD005885 MD007251 MD008105 MD106741 MD110632	
					2nd	76.9	2.0	3.5	T1	CR	Fe	Fe		
					Oil	76.9	4.0	3.8	NIFF-S	SR	Cr	Fe		

Engine Type	Exhaust quantity (c.c.)	Vehicle Model Chassis Type	NPR Catalog Code	Cyl No.	Position	Size (mm)			Shape	Material	Surface Treatment		Reference
						d 1 (D)	h 1 (B)	a 1 (T)			Outside	Upper/Lower	
4G32B	1,597	Galant Σ Chariot Tredia Cardia	SWM31043ZZ	4	1st	76.9	1.5	3.1	BF	SR	Cr	Fe	MD012765
					2nd	76.9	1.5	3.5	T1	CR	Fe	Fe	MD062387
					Oil	76.9	4.0	3.8	NIFF-S	SR	Cr	Fe	MD093337
													MD099430
2G25	783	Minica	SWM31066ZZ	2	1st	78.0	1.5	3.05	BF	SR	Cr	Fe	MD011810
					2nd	78.0	1.5	3.3	T1	CR	Cr	Fe	MD083152
					Oil	78.0	2.5	2.8	NIFF-S	SR	Cr	Fe	
4G91	1,496	Mirage	SWM31150ZZ	4	1st	78.4	1.2	3.05	BF	SR	Cr	Fe	MD177113
					2nd	78.4	1.2	3.3	T1	CR	Fe	Fe	
					Oil	78.4	2.8	2.6	NIFF-S	SR	Cr	Fe	
6A12	1,998	Eterna Galant Diamante Proton Perdona	SWM31137ZZ	V6	1st	78.4	1.2	3.05	BF	SR	Cr	Fe	MD302644 MD189104
					2nd	78.4	1.2	3.5	T1	CR	Fe	Fe	
					Oil	78.4	2.8	2.6	NIFF-S	SR	Cr	Fe	
4G62 G62B	1,795	Galant Σ Sapporo Lancer	SWM31040ZZ	4	1st	80.6	2.0	3.5	BF	CR	Cr	Fe	MD040610 MD106736
					2nd	80.6	2.0	3.7	T1	CR	Fe	Fe	
					Oil	80.6	4.0	3.3	NIFF-S	SR	Cr	Fe	
4G37EC G62B 4G62T	1,755	Tredia Cordia Delica Star Galant Galant Σ	SWM31041ZZ	4	1st	80.6	1.5	3.45	BF	SR	Cr	Fe	MD040465 MD077113 MD154012
	1,795				2nd	80.6	1.5	3.7	T1	CR	Fe	Fe	
					Oil	80.6	4.0	3.3	NIFF-S	SR	Cr	Fe	
4G51	1,850	Galant	SWM31025ZX	4	1st	81.0	2.0	3.05	BF	SR	Cr	Fe	MD023060
					2nd	81.0	2.0	3.7	T1	CR	Cr	Fe	
					Oil	81.0	4.0	3.25	NIFF-S	SR	Cr	Fe	
4G93	1,834	Galant Lancer Mirage Proton	SWM31079ZZ	4	1st	81.0	1.2	3.2	BF	SR	Cr	Fe	MD173206
					2nd	81.0	1.2	3.6	T1	CR	Fe	Fe	
					Oil	81.0	2.8	2.7	NIFF-S	SR	Cr	Fe	
4G92	1,597												
4G92	1,597	Mirage Lancer	SWM31085ZZ	4	1st	81.0	1.2	2.9	BF	SR	GN	GN	MD173211 MD357240 MD180348
					2nd	81.0	1.2	3.6	T1	CR	Cr	Fe	
					Oil	81.0	2.8	2.8	NIFF-S	SR	GN	GN	
6A13-S4	2,498	Legnum	SWM31163ZZ	V6	1st	81.0	1.2	3.2	BF	SR	Cr	Fe	MD336735 MD344094 MD344095
					2nd	81.0	1.2	3.6	T1	CR	Fe	Fe	
					Oil	81.0	2.8	2.7	NIFF-S	SR	Cr	Fe	
4G67	1,836	Galant Σ Eterna Eterna SAVA	SWM31058ZZ	4	1st	81.5	1.2	3.1	BF	SR	GN	GN	MD153602
					2nd	81.5	1.5	3.6	T1	CR	Cr	Fe	
					Oil	81.5	3.0	2.9	NIFF-S	SR	GN	GN	
4G94-S4	1,999	Lancer Pajero io	SWM31164ZZ	4	1st	81.5	1.2	2.7	BF-IB	SR	GN	GN	1110B098 1110B099 1110B100 1110B697
					2nd	81.5	1.2	3.4	TUC	CR	Fe	Fe	
					Oil	81.5	2.5	2.45	NIFF-H	SR	Cr	Fe	

Engine Type	Exhaust quantity (c.c.)	Vehicle Model Chassis Type	NPR Catalog Code	Cyl No.	Position	Size (mm)			Shape	Material	Surface Treatment		Reference
						d 1 (D)	h 1 (B)	a 1 (T)			Outside	Upper / Lower	
4G61	1,995	Mirage Lancer	SWM31049ZZ	4	1st	82.3	1.2	3.1	BF	SR	GN	GN	MD133495
					2nd	82.3	1.5	3.8	T1	CR	Cr	Fe	
					Oil	82.3	3.0	2.85	NIFF-S	SR	GN	GN	
6G73	2,497	Sigma 25V Diamante	SWM31154ZZ	V6	1st	83.5	1.2	2.85	BF	SR	Cr	Fe	MD310257
					2nd	83.5	1.5	3.5	T1	CR	Fe	Fe	
					Oil	83.5	3.0	2.85	NIFF-S	SR	Cr	Fe	
6G73-GDI	2,497	Diamante	SWM31169ZZ	V6	1st	83.5	1.2	2.7	BF-IB	SR	GN	GN	MD370494
					2nd	83.5	1.2	3.2	TUC	CR	Cr	Fe	
					Oil	83.5	2.5	2.45	NIFF-H	SR	GN	GN	
4G52	1,995	Galant Σ Sapporo Celeste Jeep A57 A78 A115 A123 J58	SWM30074ZZ	4	1st	84.0	2.0	3.6	BF	HB	Cr	Fe	MD021010
					2nd	84.0	2.0	3.7	T1	CR	Cr	Fe	MD021035
					Oil	84.0	4.0	3.8	NIFF-S	SR	Cr	Fe	MD021070
													MD027010
4G63	1,997	Galant Σ Sapporo	SWM31013ZY	4	1st	85.0	2.0	3.1	BF	SR	GN	GN	MD040640
					2nd	85.0	2.0	3.7	T1	CR	Fe	Fe	MD040840
					Oil	85.0	4.0	3.25	NIFF-S	SR	Cr	Fe	MD041580
		Lancer Eclipse Chariot RVR	SWM31048ZZ	4	1st	85.0	1.2	3.1	BF	SR	GN	GN	MD133485
					2nd	85.0	1.5	3.8	TUC	CR	Cr	Fe	
					Oil	85.0	3.0	2.85	NIFF-S	SR	GN	GN	
		Galant Chariot	SWM31103ZZ	4	1st	85.0	1.2	3.1	BF-IB	SR	GN	GN	MD195810
					2nd	85.0	1.5	3.8	TUC	CR	Cr	Fe	MD313405
					Oil	85.0	2.8	2.55	NIFF-S	SR	GN	GN	
G63B	1,997	Galant Σ Starion	SWM31034ZZ	4	1st	85.0	1.5	3.05	BF	SR	Cr	Fe	MD088941
					2nd	85.0	1.5	3.8	T1	CR	Cr	Fe	
					Oil	85.0	4.0	3.15	NIFF-S	SR	Cr	Fe	
G63B G63B T/C	1,997	Galant Σ Chariot Pajero	SWM31044ZZ	4	1st	85.0	1.5	3.5	BF	SR	Cr	Fe	MD100467
					2nd	85.0	1.5	3.8	T1	CR	Fe	Fe	MD105516
					Oil	85.0	4.0	3.3	NIFF-S	SR	Cr	Fe	MD147835
4G63	1,997	Savrin	SWM31143ZZ	4	1st	85.0	1.2	3.1	BF-IB	SR	GN	GN	MN149594
					2nd	85.0	1.2	3.5	TUC	CR	Fe	Fe	
					Oil	85.0	2.0	2.3	NIFF-H	SR	Cr	Fe	
4G63K	1,997	Galant Σ Eterna Eterna SAVA Chariot	SWM31071ZZ	4	1st	85.0	1.2	3.1	BF-IB	SR	GN	GN	MD195850
					2nd	85.0	1.5	3.8	TUC	CR	Cr	Fe	
					Oil	85.0	3.0	2.55	NIFF-S	SR	GN	GN	

Engine Type	Exhaust quantity (c.c.)	Vehicle Model Chassis Type	NPR Catalog Code	Cyl No.	Position	Size (mm)			Shape	Material	Surface Treatment		Reference
						d 1 (D)	h 1 (B)	a 1 (T)			Outside	Upper/Lower	
4B10	1,798	Galant Fortis Lancer	SWM31178ZZ	4	1st	86.0	1.2	3.05	BF	SR	Cr	Fe	1110A436
					2nd	86.0	1.2	3.6	TUC	CR	Fe	Fe	
					Oil	86.0	2.0	2.45	NIFF-H	SR	Cr	Fe	
4B11	1,998	Lancer Evolution Galant Fortis											
G64B 4G64	2,350	Delica Wagon Chariot Air Treck	SWM31037ZZ	4	1st	86.5	1.5	3.45	BF	SR	Cr	Fe	MD085346
					2nd	86.5	1.5	3.8	TUC	CR	Fe	Fe	MD103580
					Oil	86.5	4.0	3.3	NIFF-S	SR	Cr	Fe	
4G64K	2,350	Delica Wagon	SWM31072ZZ	4	1st	86.5	1.2	3.1	BF-IB	SR	Cr	Fe	MD195872
					2nd	86.5	1.5	3.8	TUC	CR	Fe	Fe	
					Oil	86.5	3.0	2.55	NIFF-S	SR	Cr	Fe	
4G64	2,350	Galant	SWM31116ZZ	4	1st	86.5	1.2	3.1	BF-IB	SR	Cr	Fe	MD195828
					2nd	86.5	1.5	3.8	TUC	CR	Fe	Fe	MD194597
					Oil	86.5	2.8	2.55	NIFF-S	SR	Cr	Fe	
4G69S	2,378	Lancer Air Treck Galant Eclipse	SWM31161ZZ	4	1st	87.0	1.2	3.1	BF-IB	SR	GN	GN	1110A966
					2nd	87.0	1.2	3.4	TUC	CR	Fe	Fe	1110A967
					Oil	87.0	2.0	2.2	NIFF-H	SR	GN	GN	
420A	1,997	Eclipse	SWM31120ZZ	4	1st	87.5	1.2	3.45	BF	SR	Cr	Fe	M04741401
					2nd	87.5	1.2	4.0	T1	CR	Fe	Fe	
					Oil	87.5	3.0	2.9	NIFF-S	SR	Cr	Fe	
6B31	2,998	Outlander Pajero Sport	SWM31181ZZ (TCC-K-0001)	V6	1st	87.6	1.2	3.1	BF-IB	SR	GN	GN	1110B435
					2nd	87.6	1.0	2.95	T1	HB	Fe	Fe	
					Oil	87.6	2.0	2.4	NIFF-H	SR	Cr	Fe	
4G53	2,384	Jeep Canter Rosa	SWM31021ZZ	4	1st	88.0	2.0	3.8	BF	HB	Cr	Fe	MD025000
					2nd	88.0	2.0	4.1	T1	CR	Cr	Fe	MD026985
					Oil	88.0	4.0	3.3	NIFF-S	SR	Cr	Fe	
4B12	2,359	Lancer Delica D:5 Outlander	SWM31173ZZ	4	1st	88.0	1.2	3.05	BF-IB	SR	Cr	Fe	1110A822
					2nd	88.0	1.2	3.6	TUC	CR	Fe	Fe	
					Oil	88.0	2.0	2.45	NIFF-H	SR	Cr	Fe	
4G54T	2,555	Starion	SWM31039ZZ	4	1st	91.1	1.5	3.3	BF	SR	GN	GN	MD061258
					2nd	91.1	1.5	3.8	T1	CR	Cr	Fe	MD076170
					Oil	91.1	4.0	3.25	NIFF-S	SR	GN	GN	MD080598 MD101895 MD106752

Engine Type	Exhaust quantity (c.c.)	Vehicle Model Chassis Type	NPR Catalog Code	Cyl No.	Position	Size (mm)			Shape	Material	Surface Treatment		Reference		
						d 1 (D)	h 1 (B)	a 1 (T)			Outside	Upper / Lower			
4G54B	2,555	Jeep	SWM31047ZZ	4	1st	91.1	2.0	3.5	BF	HB	Cr	Fe	MD025089		
		Debonair			2nd	91.1	2.0	3.8	T1	CR	Cr	Fe	MD026835		
		Galant Σ			Oil	91.1	4.0	3.25	NIFF-S	SR	Cr	Fe	MD026960		
		Sapporo												MD027140	
		Dodge										MD107813			
		Challenger										MD107818			
6G72	2,952	Galant Σ	SWM31078ZZ	V6	1st	91.1	1.2	3.3	BF	SR	Cr	Fe	MD165949		
		Pajero			2nd	91.1	1.5	3.8	T1	CR	Cr	Fe	MD301803		
					Oil	91.1	3.0	2.9	NIFF-S	SR	Cr	Fe	MD329755		
														1110B180	
		Galant Σ			SWM31080ZZ	V6	1st	91.1	1.5	3.25	BF	SR	Cr	Fe	MD104922
		Debonair					2nd	91.1	1.5	3.8	T1	CR	Cr	Fe	MD104939
	Oil	91.1	4.0	3.25			NIFF-S	SR	Cr	Fe	MD129548				
6G72-S4	2,972	Galant GTO	SWM31177ZZ	V6	1st	91.1	1.2	3.3	BF	SR	GN	GN	MD374009		
		Galant Σ			2nd	91.1	1.2	3.5	TUC	CR	Fe	Fe			
		Pajero			Oil	91.1	2.5	2.5	NIFF-H	SR	Cr	Fe			
		Diamante													
6G72-S4(NEW)	2,972	Galant GTO	SWM31078ZY	V6	1st	91.1	1.2	3.3	BF	SR	GN	GN	1110A937		
		Pajero			2nd	91.1	1.5	3.8	T1	CR	Cr	Fe			
		Diamante			Oil	91.1	3.0	2.85	NIFF-S	SR	GN	GN			
6G74	3,496	Debonair	SWM31121ZZ	V6	1st	93.0	1.5	3.45	BF-IB	SR	Cr	Fe	MD322783		
					2nd	93.0	1.5	3.9	TUC	CR	Fe	Fe	MD300569		
					Oil	93.0	3.0	3.0	NIFF-S	SR	Cr	Fe			
6G74-GDI	3,497	Pajero	SWM31121ZY	V6	1st	93.0	1.5	3.3	BF	SR	GN	GN	MD366688		
		Challenger			2nd	93.0	1.5	3.9	TUC	CR	Fe	Fe			
					Oil	93.0	3.0	2.85	NIFF-S	SR	GN	GN			
6G74-GDI-1	3,497	Pajero	SWM31166ZZ	V6	1st	93.0	1.2	3.5	BF	SR	GN	GN	MN119685		
					2nd	93.0	1.2	3.5	TUC	CR	Fe	Fe			
					Oil	93.0	2.5	2.6	NIFF-S	SR	GN	GN			
6G75	3,828	Pajero	SWM31148ZZ	V6	1st	95.0	1.2	3.5	BF-IB	SR	GN	GN	MN183867		
					2nd	95.0	1.2	3.4	TUC	CR	Fe	Fe	1110A497		
					Oil	95.0	2.0	2.55	NIFF-H	SR	GN	GN	1110B806		
													1110B571		

● Diesel-engine Automobiles ● ディーゼル車 ●

Engine Type	Exhaust quantity (c.c.)	Vehicle Model Chassis Type	NPR Catalog Code	Cyl No.	Position	Size (mm)			Shape	Material	Surface Treatment		Reference
						d 1 (D)	h 1 (B)	a 1 (T)			Outside	Upper/Lower	
K3B		Combine Harvester Tractor	YDM30119ZZ	1	1st	68.0	2.5	2.8	BF	CR	Cr	Fe	MM433340
					2nd	68.0	2.5	3.0	T1	CR	Fe	Fe	
					3rd	68.0	2.5	2.75	TUC	CR	Fe	Fe	
					Oil	68.0	4.0	3.2	E-BC16	CR	Cr	Fe	
K4E		For Industrial Machine	YDM30112ZZ	1	1st	76.0	2.49	3.3	BF-K2	CR	Cr	Fe	MM431579
					2nd	76.0	2.0	3.3	T1-IC	CR	Fe	Fe	
					Oil	76.0	4.0	3.6	E-BC16	CR	Cr	Fe	
L2E L3E		For Industrial Machine	YDM31162ZZ	1	1st	76.0	2.0	3.1	BF-K2	HB	Cr	Fe	MM433152
					2nd	76.0	2.0	3.2	T1	CR	Fe	Fe	
					Oil	76.0	3.0	3.25	E-BC16	SR	GN	GN	
4D65	1,795	Mirage Colt C14A	SDM31090ZX	4	1st	80.6	2.0	3.05	BF-K2	SR	Cr	Fe	MD071206 MD127022 MD127017
					2nd	80.6	2.0	3.7	T1	CR	Cr	Fe	
					Oil	80.6	4.0	4.35	E-BC16	SR	GN	GN	
4D68NA	1,998	Galant Proton	SDM31104ZZ	4	1st	82.7	2.0	3.25	BF-K2	SR	Cr	Fe	MD197162
					2nd	82.7	2.0	3.5	TUC	CR	Cr	Fe	
					Oil	82.7	3.0	3.25	E-BC16	SR	GN	GN	
4D68T	1,998	Chariot	SDM31151ZZ	4	1st	82.7	2.0	3.1	BF-K2-IB	SR	GN	GN	MD197187
					2nd	82.7	2.0	3.5	T1-K2	HB	Cr	Fe	
					Oil	82.7	3.0	3.25	E-BC16	SR	GN	GN	
4DQ5	2,084	Canter Fork Lift FD15	SDM31010ZZ	4	1st	84.0	2.5	3.6	BF	HB	Cr	Fe	30615-51011 30617-51011
					2nd	84.0	2.0	3.6	T1	CR	Fe	Fe	
					Oil	84.0	4.0	4.2	E-BC3	HB	Cr	Fe	
		Canter	SJM30105ZZ	4	1st	84.0	2.5	3.6	BF-K2	HB	Cr	Cr	30617-61011
					2nd	84.0	2.0	3.6	T1-IC	CR	Cr	Fe	
					Oil	84.0	4.0	4.0	E-BC3	CR	Cr	Fe	
4N15	2,442	All New Triton All New Pajero Sports	SDM31171ZZ	4	1st	86.0	2.0	2.9	BF-K2	SR	GN	GN	1110C712
					2nd	86.0	1.5	2.9	T1	SR	GN	GN	
					Oil	86.0	2.0	2.75	E-BC16	SR	GN	GN	
4D55T 4D56 4D56TDI	2,346	Galant Σ	SDM31038ZX	4	1st	91.1	2.5	3.25	BF-K2	SR	Cr	Fe	MD050390 MD103391 1110A561
	2,476	Galant Sapporo			2nd	91.1	2.0	3.9	T1-K2	CR	Cr	Fe	
					Oil	91.1	4.0	4.35	E-BC16	SR	GN	GN	
4D56T	2,476	Strada Delica Wagon Space Gear Challenger	SDM31160ZZ	4	1st	91.1	2.5	3.3	BF-K2	SR	GN	GN	1110B977V T
					2nd	91.1	2.0	3.5	T1-K2	HB	Cr	Fe	
					Oil	91.1	3.0	3.25	E-BC16	SR	GN	GN	
4D55 4D56	2,346	Galant Σ	SDM31055ZX	4	1st	91.1	2.5	3.45	BF	SR	Cr	Fe	MD050395
	2,476				2nd	91.1	2.0	3.8	T1	CR	Cr	Fe	
					Oil	91.1	4.0	4.35	E-BC16	SR	GN	GN	

Engine Type	Exhaust quantity (c.c.)	Vehicle Model Chassis Type	NPR Catalog Code	Cyl No.	Position	Size (mm)			Shape	Material	Surface Treatment		Reference
						d 1 (D)	h 1 (B)	a 1 (T)			Outside	Upper/Lower	
4DR5	2,659	Canter T96A T96B T200C T200F T210CT Jeep J24 J36 J44 J54 J24H Rosa B200 B210	SDM30075ZX	4	1st	92.0	2.5	3.45	BF-K2	SR	Cr	Fe	31617-02012
					2nd	92.0	2.0	3.9	T1	CR	Fe	Fe	31617-02013
					3rd	92.0	2.0	3.9	T1	CR	Fe	Fe	31617-05102
					Oil	92.0	4.5	4.6	E-BC16	SR	GN	GN	31617-05103
6DR5	3,983	Rosa T44 T44B Fork Lift FD60 Jupiter	SDM30076ZX	6	1st	92.0	2.5	3.45	BF-K2	SR	Cr	Fe	31717-12012
					2nd	92.0	2.0	3.9	T1	CR	Fe	Fe	31717-12013
					3rd	92.0	2.0	3.9	T1	CR	Fe	Fe	
					Oil	92.0	4.5	4.6	E-BC16	SR	GN	GN	
4DR52T-1	2,659	Canter	SDM31129ZZ	4	1st	92.0	2.35	3.45	BF-K1	SR	Cr	Fe	ME996069
					2nd	92.0	2.0	3.45	T1-IC	CR	Cr	Fe	
					Oil	92.0	4.0	4.35	E-BC16	SR	GN	GN	
S4E	2,609	Fork Lift	SDM30110ZZ	4	1st	94.0	2.5	4.0	BF-K2	HB	Cr	Fe	34417-11011
					2nd	94.0	2.0	4.0	T1	CR	Fe	Fe	
					Oil	94.0	4.5	4.45	E-BC3	HB	Cr	Fe	
S4S	3,331	For Industrial Machine Bulldozer	SDM30118ZZ	4	1st	94.0	2.5	3.3	BF-K2	SR	GN	GN	32A17-02010
					2nd	94.0	2.0	3.8	T1-IC	CR	Cr	Fe	
					Oil	94.0	4.0	4.25	E-BC16	SR	GN	GN	
6DS1	4,678	Truck T62D T650B T650E T650J T650ZD Bus MR620	SJM30002ZZ	6	1st	95.0	2.5	4.1	BF	CR	Cr	Cr	30817-01006
					2nd	95.0	2.0	4.1	T1-IC	CR	Cr	Fe	ME020382
					3rd	95.0	2.0	4.1	T1	CR	Fe	Fe	ME021376
					Oil	95.0	4.5	4.2	E-BC3	CR	Cr	Fe	
6DS3	5,103	T652B B622	SDM31001ZZ	6	1st	95.0	3.0	3.9	BF-K2	HB	Cr	Fe	ME021855
					2nd	95.0	2.0	4.1	T1-IC	CR	Cr	Fe	ME023327
					Oil	95.0	4.5	4.2	E-BC3	CR	Cr	Fe	ME023327-02
4M40-NA 4DR7	2,835	Canter Pajero	SDM31095ZX	4	1st	95.0	2.35	3.45	BF-K1	SR	Cr	Fe	ME202342
					2nd	95.0	2.0	3.7	T1-IC	HB	Cr	Fe	ME202950
					Oil	95.0	4.0	4.15	E-BC16	SR	GN	GN	ME997256
4M40	2,835	Pajero	SDM31114ZZ	4	1st	95.0	2.306	3.45	BF-K1	SR	Cr	Fe	ME201522
					2nd	95.0	2.0	3.9	T1-IC	CR	Cr	Fe	ME202380
					Oil	95.0	4.0	4.15	E-BC16	SR	GN	GN	MD997894
4M40-TC 4M42	2,835	Pajero	SDM31140ZZ	4	1st	95.0	2.306	3.45	BF-K1	SR	Cr	Fe	ME202148
					2nd	95.0	2.0	4.1	T1-IC	CR	Cr	Fe	ME190317
					Oil	95.0	3.0	3.25	E-BC16	SR	GN	GN	ME993211 ME993212

Engine Type	Exhaust quantity (c.c.)	Vehicle Model Chassis Type	NPR Catalog Code	Cyl No.	Position	Size (mm)			Shape	Material	Surface Treatment		Reference
						d 1 (D)	h 1 (B)	a 1 (T)			Outside	Upper/Lower	
4P10	2,998	Canter	SDM31175ZZ	4	1st	95.8	2.35	3.5	BF-K1	SR	GN	GN	MK667801
					2nd	95.8	2.0	4.0	T1	HB	Fe	Fe	
					Oil	95.8	2.5	2.85	E-BC16	SR	GN	GN	
6DS7	5,430	Truck T653B T653BG T663C T663ZD FK102 Tractor T653ZR Bus B623B B623E	SDM31002ZZ	6	1st	98.0	3.0	4.0	BF-K2	HB	Cr	Fe	ME023333
					2nd	98.0	2.0	4.2	T1-IC	CR	Cr	Fe	ME023333-02
					Oil	98.0	5.0	4.8	E-BC3	CR	Cr	Fe	ME021861 ME024409
6DS5	4,974	Truck T630 T651 Bus B620B B620E B620BE Tractor T651ZR	SJM30056ZZ	6	1st	98.0	3.0	4.2	BF	CR	Cr	Cr	30817-31000
					2nd	98.0	2.0	4.2	T1-IC	CR	Cr	Fe	ME020427
					3rd	98.0	2.0	4.2	T1	CR	Fe	Fe	ME021382
Oil	98.0	5.0	4.8	E-BC3	CR	Cr	Fe	ME021856					
4M41-T1	3,200	Pajero	SDM31149ZZ	4	1st	98.5	2.35	3.4	BF-K1	HB	Cr	Fe	ME203533
					2nd	98.5	1.5	3.5	T1-IB	SR	GN	GN	
					Oil	98.5	3.0	3.25	E-BC16	SR	GN	GN	
4M41-PUS	3,200	Pajero Sports	SDM31149ZY	4	1st	98.5	2.35	3.4	BF-K1	SR	GN	GN	1110B654
					2nd	98.5	1.5	3.5	T1-IB	SR	GN	GN	
					Oil	98.5	3.0	3.65	E-BC16	SR	GN	GN	
4D30	3,298	Truck FE111 · 121 · 211 Bus BE211 Rosa	SDM31014ZX	4	1st	100.0	3.0	3.65	BF-K2	SR	Cr	Fe	ME012010
					2nd	100.0	2.0	4.2	T1-IC	CR	Cr	Fe	ME012070
					Oil	100.0	5.0	4.95	E-BC16	SR	GN	GN	
4D31T	3,298	Canter	SDM31081ZX	4	1st	100.0	3.0	3.65	BF-K2	SR	Cr	Fe	ME997396
					2nd	100.0	2.0	4.2	T1-IC	CR	Cr	Fe	ME997398
					Oil	100.0	4.0	4.35	E-BC16	SR	GN	GN	ME012848
6D31T	4,948	Fighter	SDM31088ZX	6	1st	100.0	3.0	3.65	BF-K2	SR	Cr	Fe	ME999783
					2nd	100.0	2.0	4.2	T1-IC	CR	Cr	Fe	
					Oil	100.0	4.0	4.35	E-BC16	SR	GN	GN	
6D31	4,948	Fighter	SDM31102ZZ	6	1st	100.0	3.0	4.0	BF-K2	HB	Cr	Fe	
					2nd	100.0	2.0	4.2	T1-IC	CR	Cr	Fe	
					Oil	100.0	5.0	4.8	E-BC3	CR	Cr	Fe	
S6KT	6,380	For Industrial Machine	SDM30108ZX	6	1st	102.0	3.0	4.05	BF-K2	SR	Cr	Fe	34317-19010
					2nd	102.0	2.0	4.0	T1-K2	CR	Cr	Fe	
					Oil	102.0	4.0	4.15	E-BC16	SR	GN	GN	
4D34	3,907	Truck FE439	SDM31157ZZ	4	1st	104.0	3.0	4.2	BF	HB	Cr	Fe	ME997237
					2nd	104.0	2.0	4.2	T1-IC	CR	Cr	Fe	
					Oil	104.0	4.0	4.15	E-BC16	SR	Cr	Fe	

Engine Type	Exhaust quantity (c.c.)	Vehicle Model Chassis Type	NPR Catalog Code	Cyl No.	Position	Size (mm)			Shape	Material	Surface Treatment		Reference
						d 1 (D)	h 1 (B)	a 1 (T)			Outside	Upper / Lower	
4D34T	3,907	Canter Rosa Fighter	SDM31075ZX	4	1st	104.0	2.806	3.85	BF-K1	SR	Cr	Fe	ME997240
					2nd	104.0	2.0	4.2	T1-IC	CR	Cr	Fe	
					Oil	104.0	4.0	4.4	E-BC16	SR	GN	GN	
6D34T	5,861	Truck	SDM31182ZX (TCC-A-0101)	6	1st	104.0	2.806	3.85	BF-K1	SR	Cr	Fe	ME996442
					2nd	104.0	2.0	4.2	T1-IC	CR	Cr	Fe	
					Oil	104.0	4.0	4.4	E-BC16	SR	GN	GN	
4D32	3,567	Canter	SDM31098ZX	4	1st	104.0	3.0	3.65	BF-K2	SR	Cr	Fe	ME997318
					2nd	104.0	2.0	4.2	T1-IC	CR	Cr	Fe	
					Oil	104.0	4.0	4.4	E-BC16	SR	GN	GN	
6D10	5,974	Truck T654B T654ZR	SDM31006ZZ	6	1st	105.0	3.0	4.2	BF-K2	HB	Cr	Fe	ME032190
6D11	6,754				2nd	105.0	2.0	4.4	T1-IC	CR	Cr	Cr	Fe
		FK103 KK103 Bus MK103H MM504			Oil	105.0	5.0	4.8	E-BC3	CR	Cr	Fe	ME032326
4D33	4,214	Canter	SDM31097ZX	4	1st	108.0	3.0	4.05	BF	SR	Cr	Fe	ME996378
					2nd	108.0	2.0	4.4	T1-IC	CR	Cr	Fe	
					Oil	108.0	4.0	4.4	E-BC16	SR	GN	GN	
4D35	4,561	Rosa Canter	SDM31118ZZ	4	1st	110.0	3.0	4.1	BF	SR	GN	GN	ME996628
					2nd	110.0	2.5	4.4	T1-IC	CR	Cr	Fe	ME995237
					Oil	110.0	4.0	4.35	E-BC16	SR	GN	GN	
		SDM31152ZZ	4	1st	110.0	3.0	3.85	BF-IB	SR	Cr	Fe	ME995214	
				2nd	110.0	2.0	3.65	T1-IB	SR	Cr	Fe		
				Oil	110.0	4.0	4.15	E-BC16	SR	Cr	Fe		
6D14	6,557	Truck FK115 · 115H FK115J FK115K · 115DK T656ZR FM215	SDM31007ZX	6	1st	110.0	3.0	4.05	BF-K2	SR	Cr	Fe	ME032071
					2nd	110.0	2.5	4.4	T1-IC	CR	Cr	Fe	ME032260
					Oil	110.0	5.0	4.95	E-BC16	SR	GN	GN	ME032404 ME032458
		SDM31089ZX	6	1st	110.0	3.0	4.1	BF	SR	GN	GN	ME999952	
				2nd	110.0	2.5	4.4	T1-IC	CR	Cr	Fe		
				Oil	110.0	4.0	4.35	E-BC16	SR	GN	GN		
6D14T	6,557	Bus MK115 · 115H MM115 · 515	SDM31122ZZ	6	1st	110.0	2.806	4.05	BF-K1	SR	Cr	Fe	ME997465
					2nd	110.0	2.5	4.0	T1-IC	CR	Cr	Fe	
					Oil	110.0	4.0	4.35	E-BC16	SR	GN	GN	

Engine Type	Exhaust quantity (c.c.)	Vehicle Model Chassis Type	NPR Catalog Code	Cyl No.	Position	Size (mm)			Shape	Material	Surface Treatment		Reference
						d 1 (D)	h 1 (B)	a 1 (T)			Outside	Upper/Lower	
6DB	8,550	Truck T330 T330D T335 T370 T380 T383 T390 T410D T480 K100 4K100 4K120 Bus R470 AR470 AM480 MR410 MR420 MR430 MR490 MR510	SJM30005ZZ	6	1st	110.0	3.5	4.3	BF	HB	Cr	Cr	30017-71002
					2nd	110.0	2.5	4.7	T1-IC	CR	Cr	Fe	30017-71003
					3rd	110.0	2.5	4.7	BI-UC	CR	Fe	Fe	30017-75002
					Oil	110.0	5.0	4.7	E-C1	CR	Cr	Fe	30017-75003
8DB	11,404	Bus R820 R870 AR820 MR870 MAR870	SJM30006ZZ	8	1st	110.0	3.5	4.3	BF	HB	Cr	Cr	30017-11000
					2nd	110.0	2.5	4.7	T1-IC	CR	Cr	Fe	
					3rd	110.0	2.5	4.7	BI-UC	CR	Fe	Fe	
					Oil	110.0	5.0	4.7	E-C1	CR	Cr	Fe	
6D15	6,919	Fighter Aero Midi	SDM31073ZX	6	1st	113.0	3.0	4.05	BF-K2	SR	Cr	Fe	ME032403 ME072306
					2nd	113.0	2.5	4.4	T1-IC	CR	Cr	Fe	
					Oil	113.0	5.0	4.95	E-BC16	SR	GN	GN	
6D15T	6,919	Truck FM316 FM216 M116 · 516	SDM31119ZZ	6	1st	113.0	2.806	4.05	BF-K1	SR	Cr	Fe	ME997466 ME999929 ME999954
					2nd	113.0	2.5	4.4	T1-IC	CR	Cr	Fe	
					Oil	113.0	4.0	4.35	E-BC16	SR	GN	GN	
4M50	4,899	Truck Canter	SDM31172ZZ (TCC-H-0108)	4	1st	114.0	2.806	4.1	BF-K1	SR	GN	GN	ME995590 ME993913
					2nd	114.0	2.0	3.7	T1-IB	SR	GN	GN	
					Oil	114.0	4.0	4.35	E-BC16	SR	GN	GN	
4M51	5,249	Truck Canter	SDM31156ZZ	4	1st	118.0	3.0	4.1	BF	SR	GN	GN	ME995591 ME995592 ME995593
					2nd	118.0	2.0	4.1	T1	SR	GN	GN	
					Oil	118.0	4.0	4.4	E-BC16	SR	GN	GN	
6D16	7,545	Truck FK417 FK517	SDM31051ZX	6	1st	118.0	3.0	4.1	BF	SR	GN	GN	ME999955 ME999540 ME996229 ME996231
					2nd	118.0	2.5	4.6	T1-IC	CR	Cr	Fe	
					Oil	118.0	4.0	4.55	E-BC16	SR	GN	GN	
6D16T	7,545	Truck FK617A FK618	SDM31054ZX	6	1st	118.0	2.806	4.1	BF-K1	SR	GN	GN	ME997467 ME997999 ME999549
					2nd	118.0	2.5	4.6	T1-IC	CR	Cr	Fe	
					Oil	118.0	4.0	4.55	E-BC16	SR	GN	GN	
6D17		Truck Fighter Aero Midi	SDM31159ZZ	6	1st	118.0	2.806	4.1	BF-K1	SR	GN	GN	ME995563 ME995561 (cyl) ME995535 ME995536 (cyl)
					2nd	118.0	2.5	4.6	T1-IC	CR	Cr	Fe	
					Oil	118.0	4.0	4.4	E-BC16	SR	GN	GN	
6M60T			SDM31107ZY	6	1st	118.0	2.806	4.1	BF-K1	SR	GN	GN	ME993728 ME993729 (cyl) ME996593
					2nd	118.0	2.5	4.6	T1-IC	CR	Cr	Fe	
					Oil	118.0	4.0	4.4	E-BC16	SR	GN	GN	
D2700		For Industrial Machine	YDM31033ZZ	1	1st	118.0	3.0	4.6	BF	CR	Cr	Fe	MM332391 MM334038
					2nd	118.0	2.5	4.6	T1-IC	CR	Cr	Fe	
					Oil	118.0	4.0	4.2	E-BC3	CR	Cr	Fe	

Engine Type	Exhaust quantity (c.c.)	Vehicle Model Chassis Type	NPR Catalog Code	Cyl No.	Position	Size (mm)			Shape	Material	Surface Treatment		Reference
						d 1 (D)	h 1 (B)	a 1 (T)			Outside	Upper / Lower	
6M61	8,201	Fighter	SDM31106ZZ	6	1st	118.0	3.0	4.1	BF	SR	GN	GN	ME995562
					2nd	118.0	2.0	4.3	T1-IB	SR	GN	GN	ME995560 (cyl)
					Oil	118.0	4.0	4.35	E-BC16	SR	GN	GN	
6M61CNG	8,201	Truck CNG Fighter	SDM31123ZY	6	1st	118.0	2.5	3.9	BF	SR	GN	GN	ME993687
					2nd	118.0	2.0	4.3	TUC	HB	Cr	Fe	ME993688
					Oil	118.0	4.0	4.35	E-BC16	SR	GN	GN	
6D20 6D21	10,308	Truck NP117 FD217R K202 Bus MP117H	SDM31011ZZ	6	1st	125.0	4.0	5.0	BF-K3	HB	Cr	Fe	30917-01012
					2nd	125.0	3.0	5.3	T1-IC	CR	Cr	Fe	30917-01013
					Oil	125.0	6.0	5.6	E-BC3	CR	Cr	Fe	
		Truck NP11 7 FD117 K202 Bus MP117 MP517	SDM31023ZY	6	1st	125.0	3.306	5.4	BF-K1	HB	Cr	Fe	ME052145
					2nd	125.0	3.0	5.3	T1-IC	CR	Cr	Fe	
					Oil	125.0	6.0	5.6	E-BC3	CR	Cr	Fe	
Bus	SDM31030ZZ	6	1st	125.0	3.0	5.2	BF	HB	Cr	Fe	ME052260		
			2nd	125.0	3.0	5.3	T1-IC	CR	Cr	Fe			
			Oil	125.0	6.0	5.5	E-BC3	CR	Cr	Fe			
6DC2	9,955	Truck/T800H T810H T910Q T910K Bus/B800 JB800K B805K B805M B810K B815K	SDM30007ZZ	6	1st	130.0	4.0	5.0	BF-K2	HB	Cr	Fe	31117-00009
					2nd	130.0	3.0	5.3	T1-IC	CR	Cr	Fe	31117-02010
					Oil	130.0	6.0	5.5	E-BC3	CR	Cr	Fe	31117-70010
													ME062117
8DC2 8DC4 8DC7	13,273	Truck T931 T811 T910 FT102 FV112	SDM30008ZY	V8	1st	130.0	4.0	5.0	BF-K2	HB	Cr	Fe	31217-02010
					2nd	130.0	3.0	5.4	T1-IC	CR	Cr	Fe	ME062100
		Oil			130.0	6.0	5.5	E-BC3	CR	Cr	Fe		
		Bus B910 B801			SDM31020ZX	V8	1st	130.0	3.306	4.55	BF-K1	SR	Cr
2nd	130.0		3.0	5.3			T1-IC	CR	Cr	Fe			
Oil	130.0	6.0	5.5	E-BC16	CR	Cr	Fe						
6D22	11,149	Truck FP308 MP118 MP518	SJM31019ZZ	6	1st	130.0	3.0	5.2	BF	HB	Cr	Cr	ME052758
					2nd	130.0	3.0	5.3	T1-IC	CR	Cr	Fe	
					Oil	130.0	6.0	5.5	E-BC16	CR	Cr	Fe	
6D22 6D22T	11,149	Truck FFT318 FP318 Bus/HP118 MP518 Fork Lift	SDM31015ZX	6	1st	130.0	3.306	4.5	BF-K1	SR	GN	GN	30917-20010
					2nd	130.0	3.0	5.3	T1-IC	CR	Cr	Fe	ME052124
					Oil	130.0	6.0	5.5	E-BC16	CR	Cr	Fe	ME052787
6D24	11,945	Aero Star The Great	SJM31094ZZ	6	1st	130.0	3.306	4.55	BF-K1	SR	Cr	Fe	ME151190
					2nd	130.0	3.0	5.3	T1-IC	HB	Cr	Cr	
					Oil	130.0	4.0	4.15	E-BC16	SR	Cr	Fe	

Engine Type	Exhaust quantity (c.c.)	Vehicle Model Chassis Type	NPR Catalog Code	Cyl No.	Position	Size (mm)			Shape	Material	Surface Treatment		Reference
						d 1 (D)	h 1 (B)	a 1 (T)			Outside	Upper/Lower	
6D24T	11,945	Truck	SDM31105ZY	6	1st	130.0	3.306	4.5	BF-K1	SR	GN	GN	ME995636 (cyl)
					2nd	130.0	2.5	4.7	T1-IB	SR	GN	GN	
					Oil	130.0	4.0	4.35	E-BC16	SR	GN	GN	
6D22 6D22T2	11,149	Truck FP308 MP118 MP518	SDM31111ZX	6	1st	130.0	3.306	4.5	BF-K1	SR	GN	GN	ME052889 ME995467 ME350961 ME993736 ME996142 ME996540 ME996544 (cyl)
					2nd	130.0	3.0	5.3	T1-IC	CR	Cr	Fe	
					Oil	130.0	4.0	4.45	E-BC16	SR	GN	GN	
6D22 6D24	11,149 11,945	The Great	SDM31057ZX	6	1st	130.0	3.0	4.7	BF	SR	GN	GN	ME052966 ME999136(cyl) ME995473 ME995465(cyl) ME996391
					2nd	130.0	3.0	5.3	T1-IC	HB	Cr	Fe	
					Oil	130.0	4.0	4.45	E-BC16	SR	GN	GN	
6D22	11,149	The Great	SJM31110ZZ	6	1st	130.0	3.306	4.55	BF-K1	SR	Cr	Fe	ME995477 ME995466(cyl)
				2nd	130.0	3.0	5.3	T1-IC	HB	Cr	Cr		
				Oil	130.0	6.0	5.5	E-BC16	CR	Cr	Fe		
6D24CNG	11,945	Bus	SJM31124ZZ	6	1st	130.0	2.5	4.5	BF	SR	GN	GN	ME993734
					2nd	130.0	2.5	5.3	TUC	HB	Cr	Cr	
					Oil	130.0	4.0	4.35	E-BC16	SR	GN	GN	
6R10	12,808	Super Great Aero Ace	SDM31183ZZ (TCC-F-0068)	6	1st	132.0	3.306	4.7	BF-K1	SR	GN	GN	MX901417
					2nd	132.0	2.5	4.75	T1-RC	HB	Cr	Fe	
					Oil	132.0	3.5	3.98	E-BC16	CR	Cr	Fe	
8DC6 8DC8	14,886	Truck FS313 NW Bus/B907N NA SA MS513 MS613	SDM31004ZZ	V8	1st	135.0	4.0	5.0	BF-K2	HB	Cr	Fe	31217-60012 ME062086
					2nd	135.0	3.0	5.7	T1-IC	CR	Cr	Fe	
					Oil	135.0	6.0	5.5	E-BC3	CR	Cr	Fe	
8DC6 8DC81(NEW)	14,886	FT FJ FV	SDM31028ZZ	V8	1st	135.0	3.306	5.4	BF-K1	HB	Cr	Fe	ME062022 ME062246
					2nd	135.0	3.0	5.5	T1-IC	CR	Cr	Fe	
					Oil	135.0	6.0	5.5	E-BC3	CR	Cr	Fe	
8DC91 8DC9T	16,031	Truck FU 11.5ton FV 10.75ton FT EW Bus MS	SDM31029ZX	V8	1st	135.0	3.306	4.75	BF-K1	SR	Cr	Fe	ME062018 ME062230
					2nd	135.0	3.0	5.5	T1-IC	CR	Cr	Fe	
					3rd	135.0	3.0	5.5	B1-UC	CR	Cr	Fe	
					Oil	135.0	6.0	5.5	E-BC3	CR	Cr	Fe	
6D40-T	12,023	The Great Truck	SDM31056ZX	6	1st	135.0	3.306	4.75	BF-K1	SR	Cr	Fe	ME120536 ME121332 ME996132 (cyl)
					2nd	135.0	3.0	5.5	T1-IC	CR	Cr	Fe	
					Oil	135.0	4.0	4.35	E-BC16	SR	GN	GN	
8DC9T	16,031	Aero King Aero Queen The Great	SDM31087ZY	V8	1st	135.0	3.306	5.4	BF-K1	HB	Cr	Fe	ME090578
					2nd	135.0	3.0	5.5	T1-IC	CR	Cr	Fe	
					3rd	135.0	3.0	5.5	B1-UC	CR	Cr	Fe	
					Oil	135.0	4.0	4.35	E-BC16	SR	GN	GN	

Engine Type	Exhaust quantity (c.c.)	Vehicle Model Chassis Type	NPR Catalog Code	Cyl No.	Position	Size (mm)			Shape	Material	Surface Treatment		Reference
						d 1 (D)	h 1 (B)	a 1 (T)			Outside	Upper/Lower	
6M70	12,882	Aero Star Super Great	SDM31115ZZ	6	1st	135.0	3.306	4.65	BF-K1	SR	Cr	Fe	ME995857 ME995855 (cyl)
					2nd	135.0	2.5	4.7	T1-IB	SR	GN	GN	
					Oil	135.0	4.0	4.35	E-BC16	SR	GN	GN	
S6B		For Industrial Machine	YDM30106ZZ	1	1st	135.0	4.0	5.0	BF-K2	HB	Cr	Fe	36217-11010
					2nd	135.0	3.0	5.5	T1-IC	CR	Cr	Fe	
					Oil	135.0	6.0	5.5	E-BC3	CR	Cr	Fe	
S6B3		For Industrial Machine	SDM31180ZZ	1	1st	135.0	4.0	5.05	BF-K1	HB	Cr	Fe	
					2nd	135.0	3.1	5.5	T1-K3	CR	Cr	Fe	
					Oil	135.0	4.0	4.8	E-BC16	SR	Cr	Fe	
8DC9	16,031	Aero Bus	TCC-B-0009	V8	1st	135.0	4.0		BF-K2	HB	Cr	Fe	ME062090
					2nd	135.0	3.0		T1-IC	CR	Cr	Fe	
					3rd	135.0	3.0		BI-TUC	CR	Fe	Fe	
					Oil	135.0	6.0		E-BC3	CR	Cr	Fe	
8DC10	16,752	The Great Aero Bus MS7 MS8	SDM31134ZZ	V8	1st	138.0	3.306	5.5	BF-K1	HB	Cr	Fe	ME065717 ME999510
					2nd	138.0	3.0	5.5	T1-IC	CR	Cr	Fe	
					3rd	138.0	3.0	5.5	BI-TUC	CR	Cr	Fe	
					Oil	138.0	6.0	5.5	E-BC16	CR	Cr	Fe	
			SDM31139ZZ	V8	1st	138.0	3.306	5.5	BF-K1	HB	Cr	Fe	ME090582 ME997039
					2nd	138.0	3.0	5.5	T1-IC	CR	Cr	Fe	
					3rd	138.0	3.0	5.5	BI-TUC	CR	Cr	Fe	
					Oil	138.0	4.0	4.35	E-BC16	SR	GN	GN	
8DC11	17,737	Aero Bus MS7 MS8 Super Great Truck	SDM31128ZZ	V8	1st	142.0	3.306	5.6	BF-K1	HB	Cr	Fe	30617-50111 ME090588
					2nd	142.0	3.0	5.7	T1-IC	CR	Cr	Fe	
					3rd	142.0	3.0	5.7	BI-TUC	CR	Cr	Fe	
					Oil	142.0	4.0	4.15	E-BC16	SR	Cr	Fe	
			SDM31165ZZ	V8	1st	142.0	3.306	5.6	BF-K1	HB	Cr	Fe	ME065607
					2nd	142.0	3.0	5.7	T1-IC	CR	Cr	Fe	
S6A		For Industrial Machine	YJM30107ZZ	1	1st	145.0	4.4	5.9	BF-K2	HB	Cr	Cr	
					2nd	145.0	2.92	5.9	T1-K2	CR	Cr	Fe	
					Oil	145.0	6.0	5.3	E-BC3	HB	Cr	Fe	
TCC-M-0129			1	1st	145.0	4.4	5.8	BF	HB	Cr	Cr	32517-11010	
				2nd	145.0	3.0	5.7	T1	CR	Cr	Fe		
				Oil	145.0	6.0	4.2	E-BC3	CR	Cr	Fe		
S8A S12A		For Industrial Machine	TCC-M-0161	1	1st	145.0	4.5		BF-K2	HB	Cr	Fe	32517-34010
					2nd	145.0	3.0		T1-K2	CR	Cr	Fe	
					Oil	145.0	6.0		E-BC3	CR	Cr	Fe	
8M20	20,089	The Great Aero Queen	SDM31138ZX	V8	1st	146.0	3.306	4.7	BF-K1	SR	GN	GN	ME996163
					2nd	146.0	3.0	5.1	T1	SR	GN	GN	
					3rd	146.0	3.0	5.1	T1	SR	GN	GN	
					Oil	146.0	4.0	4.4	E-BC16	SR	GN	GN	
S6A2		For Industrial Machine	YJM30109ZZ	1	1st	150.0	4.4	6.0	BF-K2	HB	Cr	Cr	32517-17010
					2nd	150.0	2.92	6.0	T1-K2	CR	Cr	Fe	
					Oil	150.0	6.0	5.3	E-BC3	HB	Cr	Fe	
S6A3		For Industrial Machine	YDM30120ZZ	1	1st	150.0	3.0	4.7	BF-K2	SR	GN	GN	35A17-01010
					2nd	150.0	2.5	5.5	T1-K2	CR	Cr	Fe	
					Oil	150.0	5.0	4.9	E-BC16	SR	Cr	Fe	
8M21	21,205	Aero King Aero Queen The Great Super Great	SDM31179ZZ	V8	1st	150.0	3.306	5.5	BF-K1	SR	GN	GN	ME996167
					2nd	150.0	3.0	5.95	T1-IC	HB	Cr	Fe	
					3rd	150.0	3.0	5.8	BI-TUC	HB	Cr	Fe	
					Oil	150.0	4.0	4.65	E-BC16	SR	Cr	Fe	

● Gasoline-engine Automobiles ● ガソリン車 ●

Engine Type	Exhaust quantity (c.c.)	Vehicle Model Chassis Type	NPR Catalog Code	Cyl No.	Position	Size (mm)			Shape	Material	Surface Treatment		Reference
						d 1 (D)	h 1 (B)	a 1 (T)			Outside	Upper/Lower	
R06A	658	Moco NT100 NV100	TCC-N-0701	3	1st	64.0	1.0		BF-IB	SR	GN	GN	12140-55S00
					2nd	64.0	1.0		TUC	SR	Fe	Fe	
					Oil	64.0	2.0		NIFF-H	SR	GN	GN	
MA10 MA10ET	987	March	SWN30051ZZ (STD)	4	1st	68.0	1.5	2.5	BF	SR	Cr	Fe	12033-01B05
					2nd	68.0	1.5	3.1	T1	CR	Fe	Fe	12033-01B10
					Oil	68.0	2.8	3.0	NIFF-S	SR	Cr	Fe	12033-01B11
			SWN30076ZZ (O/S0.2)	4	1st	68.2	1.5	2.5	BF	SR	Cr	Fe	12035-01B10
					2nd	68.2	1.5	3.1	T1	CR	Fe	Fe	
					Oil	68.2	2.8	3.0	NIFF-S	SR	Cr	Fe	
CR10DE CR12DE	997 1,240	March	SWN30135ZZ (STD)	4	1st	71.0	1.2	2.45	BF	SR	Cr	Fe	12033-AX001
					2nd	71.0	1.2	2.7	T1	CR	Fe	Fe	
					Oil	71.0	2.0	2.2	NIFF-H	SR	Cr	Fe	
			SWN30136ZZ (O/S0.2)	4	1st	71.2	1.2	2.45	BF	SR	Cr	Fe	12035-AX000
					2nd	71.2	1.2	2.7	T1	CR	Fe	Fe	
					Oil	71.2	2.0	2.2	NIFF-H	SR	Cr	Fe	
CG10DE CG13DE	997 1,274	March	SWN30110ZZ (STD)	4	1st	71.0	1.2	2.45	BF	SR	Cr	Fe	12033-41B01
					2nd	71.0	1.5	3.1	T1	CR	Fe	Fe	
					Oil	71.0	3.0	2.85	NIFF-S	SR	Cr	Fe	
			SWN30112ZZ (O/S0.2)	4	1st	71.2	1.2	2.45	BF	SR	Cr	Fe	12035-41B01
					2nd	71.2	1.5	3.1	T1	CR	Fe	Fe	
					Oil	71.2	3.0	2.85	NIFF-S	SR	Cr	Fe	
MA12S QG13DE	1,235	March Micra	SWN30074ZZ (STD)	4	1st	71.0	1.5	2.3	BF	SR	GN	GN	12033-05B10
					2nd	71.0	1.5	3.25	T1	CR	Fe	Fe	12033-05B11
					Oil	71.0	2.8	2.8	NIFF-S	SR	GN	GN	12033-4M410
			SWN30087ZZ (O/S0.2)	4	1st	71.2	1.5	2.3	BF	SR	GN	GN	12035-05B10
					2nd	71.2	1.5	3.25	T1	CR	Fe	Fe	
					Oil	71.2	2.8	2.8	NIFF-S	SR	GN	GN	
GA13DE GA13DS	1,295	Sentra Sunny	SWN30204ZZ	4	1st	71.0	1.5	3.15	BF	HB	Cr	Fe	12033-50Y00
					2nd	71.0	1.5	3.1	T1	CR	Fe	Fe	
					Oil	71.0	2.8	2.8	NIFF-S	SR	GN	GN	
CGA3DE	1,348	Cube March Micra	SWN30128ZZ	4	1st	72.0	1.2	2.65	BF	SR	Cr	Fe	12033-2U800
					2nd	72.0	1.2	3.1	T1	CR	Fe	Fe	
					Oil	72.0	2.5	2.55	NIFF-S	SR	Cr	Fe	

Engine Type	Exhaust quantity (c.c.)	Vehicle Model Chassis Type	NPR Catalog Code	Cyl No.	Position	Size (mm)			Shape	Material	Surface Treatment		Reference
						d 1 (D)	h 1 (B)	a 1 (T)			Outside	Upper / Lower	
J13	1,299	Bluebird 1000 1200	SWN30026ZZ	4	1st	73.0	2.0	3.0	T1	CR	Cr	Fe	12033-A6200
A10	988	1300			2nd	73.0	2.0	3.0	T1	CR	Fe	Fe	12033-H6200
		Sunny (100Y)			Oil	73.0	4.0	3.0	NIFF-S	SR	Cr	Fe	12033-B3040 12033-H6211
A12	1,171	Pulser (100A) Cherry Vanette (C20) Sunny (120Y) Pulser (120A) Cherry 1200 Pick UP											
E10	988	Sunny	SWN30095ZZ	4	1st	73.0	1.5	3.0	BF	HB	Cr	Fe	12033-41M01
		P130 VP130			2nd	73.0	1.5	3.1	TUC	CR	Fe	Fe	12033-41M02
		WP13D			Oil	73.0	4.0	3.0	NIFF-S	SR	Cr	Fe	
CR14DE	1,386	Cube	SWN30137ZZ (STD)	4	1st	73.0	1.2	2.25	BF	SR	Cr	Fe	12033-AX201
					2nd	73.0	1.2	2.8	T1	CR	Fe	Fe	
					Oil	73.0	2.0	2.2	NIFF-H	SR	Cr	Fe	
			SWN30138ZZ (O/S0.2)	4	1st	73.2	1.2	2.25	BF	SR	Cr	Fe	12035-AX200
					2nd	73.2	1.2	2.8	T1	CR	Fe	Fe	12035-AX201
					Oil	73.2	2.0	2.2	NIFF-H	SR	Cr	Fe	
GA14	1,392	AD Van R-VY10 VFY10	SWN30103ZZ	4	1st	73.6	1.5	2.7	BF	SR	GN	GN	12033-87A10
					2nd	73.6	1.5	3.1	T1	CR	Cr	Fe	12033-87A11
					Oil	73.6	2.8	2.8	NIFF-S	SR	GN	GN	12033-53Y00
QG15DE	1,497	Wingroad	SWN30172ZZ	4	1st	73.6	1.2	2.45	BF	SR	Cr	Fe	12033-5M370
					2nd	73.6	1.2	3.2	T1	CR	Fe	Fe	
					Oil	73.6	2.5	2.55	NIFF-H	SR	Cr	Fe	
A12A	1,237	Sunny (120Y) B310 Pulser (120A)	SWN30073ZZ	4	1st	75.0	2.0	3.2	T1	HB	Cr	Fe	12033-H8500
					2nd	75.0	2.0	3.2	T1	CR	Fe	Fe	
					Oil	75.0	4.0	3.05	NIFF-S	SR	Cr	Fe	
A14	1,397	Sunny (140Y) Pulser (140A) Violet (140A) Vanetto (C20)	SWN30045ZX	4	1st	76.0	2.0	2.85	BF	SR	Cr	Fe	12033-H7200
					2nd	76.0	2.0	3.4	T1	CR	Fe	Fe	12033-H8660
					Oil	76.0	4.0	3.25	NIFF-S	SR	Cr	Fe	12033-H8900 12033-H9910
A14(NEW)	1,397	Vanette (C20) B210 B310 Sunny	SWN30052ZZ	4	1st	76.0	1.2	3.05	BF	SR	Cr	Fe	12033-H7680
					2nd	76.0	2.0	3.4	TUC	CR	Fe	Fe	12033-H9800
A15	1,487	Pulser			Oil	76.0	4.0	3.25	NIFF-S	SR	Cr	Fe	12033-H9810 12033-H9915 12033-H9918

Engine Type	Exhaust quantity (c.c.)	Vehicle Model Chassis Type	NPR Catalog Code	Cyl No.	Position	Size (mm)			Shape	Material	Surface Treatment		Reference
						d 1 (D)	h 1 (B)	a 1 (T)			Outside	Upper/Lower	
E13	1,270	Sunny	SWN30057ZY	4	1st	76.0	1.5	2.65	BF	SR	Cr	Fe	12033-01M01
		Pulser			2nd	76.0	1.5	3.4	T1	CR	Fe	Fe	12033-01M02
		Laurel Spirit			Oil	76.0	4.0	3.0	NIFF-S	SR	Cr	Fe	12033-01M03
E15	1,487	Langley	SWN30097ZY	4	1st	76.0	1.5	2.65	BF	SR	Cr	Fe	12033-01M10
		California AD Van			2nd	76.0	1.5	3.2	T1	CR	Fe	Fe	12033-01M12
GA16	1,596	Sunny	SWN30104ZZ	4	1st	76.0	1.5	3.3	BF	HB	Cr	Fe	12033-94M00
		Pulser			2nd	76.0	1.5	3.2	T1	CR	Fe	Fe	12033-94M01
		Primera			Oil	76.0	2.8	2.85	NIFF-S	SR	Cr	Fe	12033-94M02
GA16DE	1,596	Sunny	SWN30194ZZ	4	1st	76.0	1.5	2.7	BF	SR	GN	GN	13141-43900-S0
		Pulser			2nd	76.0	1.5	3.1	T1	CR	Cr	Fe	
		Primera			Oil	76.0	2.8	2.55	NIFF-S	SR	GN	GN	
QG16DE	1,596	SM3	TCC-P-0740	4	1st	76.0	1.2	2.9	BF	SR	Cr	Fe	12033-7J910
		SM3CE			2nd	76.0	1.2	3.1	T1	CR	Fe	Fe	
		Sunny			Oil	76.0	2.5	2.55	NIFF-S	SR	GN	GN	
GA16DE	1,596	Primera	SWN30130ZZ	4	1st	76.0	1.2	2.7	BF-IB	SR	Cr	Fe	12033-31U00
		Sunny			2nd	76.0	1.2	3.3	T1	CR	Fe	Fe	12033-31U01
		Primera			Oil	76.0	2.5	2.8	NIFF-S	SR	Cr	Fe	
VQ20	1,995	Cefiro	SWN30033ZX	4	1st	77.95	2.0	2.85	BF	SR	Cr	Fe	12033-01W60
		Maxima			2nd	77.95	2.0	3.7	T1	CR	Fe	Fe	12033-01W61
					Oil	77.95	4.0	3.0	NIFF-S	SR	Cr	Fe	12033-01W62
J15	1,483	Datsun	SWN30055ZY	4	1st	77.95	1.5	2.9	BF	SR	Cr	Fe	12033-06E00
		Caravan			2nd	77.95	1.5	3.4	T1	CR	Fe	Fe	12033-D0120
		Cabster			Oil	77.95	4.0	3.0	NIFF-S	SR	Cr	Fe	12033-D0400
J16	1,567	Truck	SWN30068ZZ	6	1st	77.95	1.5	3.3	BF	HB	Cr	Fe	12033-01L00
		N521 UN521			2nd	77.95	2.0	3.7	TUC	CR	Fe	Fe	
		HT20			Oil	77.95	4.0	3.0	NIFF-S	SR	Cr	Fe	
J16	1,567	Bus	SWN30037ZZ	6	1st	77.95	2.0	3.3	T1	HB	Cr	Fe	12033-E3030
		SVE20 VPE20			2nd	77.95	2.0	3.7	T1	CR	Fe	Fe	12033-V0300
		KT20			Oil	77.95	4.0	3.0	NIFF-S	SR	Cr	Fe	12033-V0310
L20ET	1,988	Cedric Deluxe	SWN30055ZY	4	1st	77.95	1.5	2.9	BF	SR	Cr	Fe	12033-06E00
		Gloria Deluxe			2nd	77.95	1.5	3.4	T1	CR	Fe	Fe	12033-D0120
		Skyline			Oil	77.95	4.0	3.0	NIFF-S	SR	Cr	Fe	12033-D0400
CA16S	1,598	Bluebird	SWN30068ZZ	6	1st	77.95	1.5	3.3	BF	HB	Cr	Fe	12033-01L00
		Stanza			2nd	77.95	2.0	3.7	TUC	CR	Fe	Fe	
		Auster			Oil	77.95	4.0	3.0	NIFF-S	SR	Cr	Fe	
L20A	1,988	Gloria Van	SWN30068ZZ	6	1st	77.95	1.5	3.3	BF	HB	Cr	Fe	12033-01L00
		Cedric			2nd	77.95	2.0	3.7	TUC	CR	Fe	Fe	
		Bluebird			Oil	77.95	4.0	3.0	NIFF-S	SR	Cr	Fe	
L20A	1,988	Skyline 2000GT	SWN30068ZZ	6	1st	77.95	1.5	3.3	BF	HB	Cr	Fe	12033-01L00
		Fairlady Z			2nd	77.95	2.0	3.7	TUC	CR	Fe	Fe	
					Oil	77.95	4.0	3.0	NIFF-S	SR	Cr	Fe	

Engine Type	Exhaust quantity (c.c.)	Vehicle Model Chassis Type	NPR Catalog Code	Cyl No.	Position	Size (mm)			Shape	Material	Surface Treatment		Reference
						d 1 (D)	h 1 (B)	a 1 (T)			Outside	Upper / Lower	
VG20E VG20ET VG20DET	1,998	Cedric Gloria Laurel Fairlady Z	SWN30092ZY	V6	1st	77.95	1.5	2.9	BF	SR	Cr	Fe	12033-12P00
					2nd	77.95	1.5	3.4	T1	CR	Fe	Fe	12033-V5310
					Oil	77.95	2.8	3.0	NIFF-S	SR	Cr	Fe	
CA16 CA16DE	1,598	Stanza Auster Bluebird	SWN30111ZZ	4	1st	77.95	1.5	2.9	BF-IB	SR	Cr	Fe	12033-55M00
					2nd	77.95	1.5	3.4	T1	CR	Fe	Fe	
					Oil	77.95	2.8	3.0	NIFF-S	SR	Cr	Fe	
L20	1,998	Cedric Bluebird Gloria Skyline2000GT Laurel Fairlady Z	SWN30049ZZ	6	1st	77.95	2.0	3.6	T1	CR	Cr	Fe	12033-73401
					2nd	77.95	2.5	3.7	T1	CR	Fe	Fe	12033-73402
					Oil	77.95	4.0	3.0	NIFF-S	SR	Cr	Fe	
RB20E	1,998	Skyline Laurel	SWN30173ZZ	6	1st	77.95	1.5	2.7	BF	SR	GN	GN	12033-65L00
					2nd	77.95	1.5	3.4	T1	CR	Cr	Fe	
					Oil	77.95	2.8	2.85	NIFF-S	SR	GN	GN	
HR12DE	1,198	March	SWN30197ZZ	3	1st	78.0	1.2	2.45	BF-IB	SR	Cr	Fe	12033-1HC0C
					2nd	78.0	1.2	2.7	T1	CR	Fe	Fe	
					Oil	78.0	2.0	2.3	NIFF-H	SR	Cr	Fe	
HR16DE	1,597	Vanette Wagon March Note Tida Kicks	SWN30196ZZ	4	1st	78.0	1.2	2.45	BF-IB	SR	Cr	Fe	12033-EE50A
					2nd	78.0	1.2	2.7	T1	CR	Fe	Fe	12033-EE000
					Oil	78.0	2.0	2.3	NIFF-H	SR	Cr	Fe	
			SWN30206ZZ (TCC-N-0351)	4	1st	78.0	1.2	2.5	BF-IB	SR	GN	GN	12033-5RB0A
					2nd	78.0	1.0	2.5	TUC	SR	Fe	Fe	
					Oil	78.0	2.0	2.2	NIFF-H	SR	GN	GN	
MR16DDT	1,618	Juke 16GT	SWN30186ZZ	4	1st	79.7	1.2	2.5	BF-IB	SR	GN	GN	12033-1KC0A
					2nd	79.7	1.0	2.7	TUC	SR	Fe	Fe	12033-3RC0B
MRA8DE	1,798	Sentra			Oil	79.7	2.0	2.4	NIFF-H	SR	GN	GN	
QG18DE	1,768	Wingroad Bluebird Bluebird Sylphy Primera	SWN30127ZZ	4	1st	80.0	1.5	2.87	BF	SR	Cr	Fe	12033-WD310
					2nd	80.0	1.5	3.4	T1	CR	Cr	Fe	
					Oil	80.0	2.8	2.85	NIFF-S	SR	Cr	Fe	
			SWN30142ZY	4	1st	80.0	1.2	2.85	BF	SR	Cr	Fe	12033-AU300
					2nd	80.0	1.2	3.4	T1	CR	Fe	Fe	12033-5M010
					Oil	80.0	2.5	2.6	NIFF-S	SR	Cr	Fe	12033-5M020
J18	1,800	Fork Lift Truck	SWN30099ZZ	4	1st	80.5	1.5	3.25	BF	SR	Cr	Fe	12033-N7900
					2nd	80.5	2.0	3.7	T1	CR	Fe	Fe	
					Oil	80.5	4.0	3.25	NIFF-S	SR	Cr	Fe	

Engine Type	Exhaust quantity (c.c.)	Vehicle Model Chassis Type	NPR Catalog Code	Cyl No.	Position	Size (mm)			Shape	Material	Surface Treatment		Reference		
						d 1 (D)	h 1 (B)	a 1 (T)			Outside	Upper/Lower			
NA16S	1,627	Datsun Truck Atlas	SWN30199ZZ	4	1st	81.5	1.5	3.1	BF	SR	GN	GN	12033-73P00		
					2nd	81.5	1.5	3.6	T1	CR	Cr	Fe			
					Oil	81.5	4.0	3.05	NIFF-S	SR	GN	GN			
SR18	1,838	Bluebird Presta Sunny Primera	SWN30105ZZ (STD)	4	1st	82.5	1.5	2.9	BF-IB	SR	GN	GN	12033-0E101		
					2nd	82.5	1.5	3.5	T1	CR	Cr	Fe			
					Oil	82.5	3.0	2.85	NIFF-S	SR	GN	GN			
					SWN30106ZZ (O/S0.2)	4	1st	82.7	1.5	2.9	BF-IB	SR	GN	GN	12035-0E101
							2nd	82.7	1.5	3.5	T1	CR	Cr	Fe	
							Oil	82.7	3.0	2.85	NIFF-S	SR	GN	GN	
L13	1,296	Bluebird 1300 1400 P510A P510P	SWN30014ZZ	4	1st	83.0	2.0	3.6	T1	CR	Cr	Fe	12033-06000 12033-21000 12033-23000		
					2nd	83.0	2.0	3.8	T1	CR	Fe	Fe			
					Oil	83.0	4.0	3.75	NIFF-S	SR	Cr	Fe			
L14	1,428	P510T P510TK KT510 WP510 Violet											12033-A0600 12033-A3500 12033-A3501 12033-W0700 12033-W7110		
L16	1,595	J710 VJ710 Sunny PB210													
L24	2,395	Bluebird Cedric (240C)	SWN30034ZZ	6	1st	83.0	2.0	3.8	T1	CR	Fe	Fe	12033-E3100 12033-E3110 12033-W0810 12033-A8620		
					2nd	83.0	2.0	3.8	T1	CR	Fe	Fe			
					Oil	83.0	4.0	3.9	NIFF-S	SR	Cr	Fe			
L26	2,565	Skyline (240K) Fairlady Z (240Z) Fairlady Z (260Z) Laurel (260L)													
CA18E CA18S	1,809	Laurel Skyline Silvia Gazelle Stanza Auster Prairie	SWN30056ZZ	4	1st	83.0	1.5	2.85	BF	SR	Cr	Fe	12033-01E00 12033-01E10 12033-01F00 12033-D0210 12033-D0500		
					2nd	83.0	1.5	3.6	T1	CR	Cr	Fe			
					Oil	83.0	4.0	3.05	NIFF-S	SR	Cr	Fe			
CA18P (LPG)	1,809	Bluebird Skyline Stanza	SWN30083ZZ	4	1st	83.0	2.0	2.85	BF-IB	SR	Cr	Fe	12033-49L00		
					2nd	83.0	1.5	3.6	T1	CR	Cr	Fe			
					Oil	83.0	2.8	3.0	NIFF-S	SR	Cr	Fe			
CA18DET CA18ET	1,809	Gazelle Turbo Silvia Turbo Bluebird Turbo	SWN30090ZZ	4	1st	83.0	1.5	2.9	BF	SR	GN	GN	12033-44F00 12033-D4210 12033-17F00 12033-18F00 12033-18F10		
					2nd	83.0	1.5	3.6	T1	CR	Cr	Fe			
					Oil	83.0	2.8	2.8	NIFF-S	SR	GN	GN			
MR18DE	1,797	Tiida Lafesta	SWN30154ZZ	4	1st	84.0	1.2	2.65	BF	SR	Cr	Fe	12033-EN200 12033-CK80A		
					2nd	84.0	1.2	3.0	TUC	CR	Fe	Fe			
MR20DE	1,999	Cube Versa Sentra			Oil	84.0	2.0	2.55	NIFF-H	SR	Cr	Fe	12033-EN20A		

Engine Type	Exhaust quantity (c.c.)	Vehicle Model Chassis Type	NPR Catalog Code	Cyl No.	Position	Size (mm)			Shape	Material	Surface Treatment		Reference
						d 1 (D)	h 1 (B)	a 1 (T)			Outside	Upper / Lower	
MR20DE MR-FFV	1,999	Tiida Lafesta Cube Versa Sentra	SWN30166ZZ	4	1st	84.0	1.2	2.6	BF	SR	GN	GN	12033-8W80A
					2nd	84.0	1.2	3.0	TUC	CR	Cr	Fe	
					Oil	84.0	2.0	2.55	NIFF-H	SR	GN	GN	
MR20DD	1,999	Serena	SWN30188ZZ	4	1st	84.0	1.2	2.7	BF-IB	SR	GN	GN	12033-1VA0A
					2nd	84.0	1.2	3.0	TUC	CR	Fe	Fe	
					Oil	84.0	2.0	2.5	NIFF-H	SR	GN	GN	
CA20A	1,973	Bluebird Cherry Vanette	SWN30053ZZ	4	1st	84.5	1.5	3.05	BF	SR	Cr	Fe	12033-04E00 12033-04E10 12033-D1700 12033-D2000
					2nd	84.5	1.5	3.7	T1	CR	Cr	Fe	
					Oil	84.5	4.0	3.05	NIFF-S	SR	Cr	Fe	
CA20P (LPG)	1,973	Bluebird Stanza	SWN30075ZZ	4	1st	84.5	2.0	2.85	BF-IB	SR	Cr	Fe	12033-V5600
					2nd	84.5	1.5	3.7	T1	CR	Cr	Fe	
					Oil	84.5	2.8	3.0	NIFF-S	SR	Cr	Fe	
CA20E	1,973	Bluebird	SWN30121ZZ	4	1st	84.5	1.5	3.1	BF	SR	GN	GN	12033-61E10
					2nd	84.5	1.5	3.7	T1	CR	Cr	Fe	
					Oil	84.5	2.8	2.85	NIFF-S	SR	GN	GN	
G16	1,593	Laurel 1800 C30 C30A	SWN30020ZX	4	1st	85.0	2.0	3.05	BF	SR	Cr	Fe	12033-78250 12033-78251
					2nd	85.0	2.0	4.2	T1	CR	Fe	Fe	
G18	1,815	C30T Bluebird			Oil	85.0	4.0	3.25	NIFF-S	SR	Cr	Fe	12033-A8701 12033-A8702
L18	1,770	KH510 P610 U1800SSS Skyline CP10 110 KPC10 110											
Z18	1,770	Skyline Laurel	SWN30048ZZ	4	1st	85.0	2.0	3.9	T1	CR	Cr	Fe	12033-U6001 12033-U6002
					2nd	85.0	2.0	4.2	T1	CR	Fe	Fe	
L20B	1,952	Cedric Silvia Gazelle Stanza Bluebird Auster			Oil	85.0	4.0	3.25	NIFF-S	SR	Cr	Fe	12033-W0805 12033-W0815 12033-N9700 12033-W1600
Z20 Z20E Z20S	1,952	Laurel Caravan Vanette Bluebird Silvia Skyline	SWN30084ZZ	4	1st	85.0	2.0	2.85	BF-IB	SR	Cr	Fe	12033-82W01
					2nd	85.0	1.5	3.7	T1	CR	Cr	Fe	
			Oil	85.0	4.0	3.15	NIFF-S	SR	Cr	Fe			
			SWN30086ZY	4	1st	85.0	1.5	3.05	BF	SR	Cr	Fe	12033-24G00
					2nd	85.0	1.5	3.7	T1	CR	Fe	Fe	12033-N8510
					Oil	85.0	4.0	3.15	NIFF-S	SR	Cr	Fe	12033-N8520

Engine Type	Exhaust quantity (c.c.)	Vehicle Model Chassis Type	NPR Catalog Code	Cyl No.	Position	Size (mm)			Shape	Material	Surface Treatment		Reference
						d 1 (D)	h 1 (B)	a 1 (T)			Outside	Upper/Lower	
P	3,956	Truck 680 D680 G680 T680 S680 DG680 681 D681 G81 D681 G681 S681 TG690	SWN3002ZZ	6	1st	85.69	2.5	3.7	BF	CR	Cr	Fe	12033-58003
					2nd	85.69	2.5	3.7	T1	CR	Fe	Fe	12033-58004
					Oil	85.69	4.76	4.0	NIFF-S	SR	Cr	Fe	12033-58005 12033-C6000 12033-C6011
Z24S	2,389	Terrano WD21	SWN30159ZZ	4	1st	86.0	1.5	3.1	BF-IB	SR	GN	GN	12033-3T600
					2nd	86.0	1.5	3.65	T1	CR	Cr	Fe	12033-0H600
					Oil	86.0	4.0	2.8	NIFF-S	SR	GN	GN	
L28	2,753	Cedric (280C) Fairlady Z (280Z) Laurel (280L) Leopard	SWN30047ZZ	6	1st	86.0	2.0	3.9	T1	CR	Cr	Fe	12033-M4210
					2nd	86.0	2.0	4.05	T1	CR	Fe	Fe	12033-N4220
					Oil	86.0	4.0	3.25	NIFF-S	SR	Cr	Fe	12033-P8360 12033-P3870
L28E	2,753	Leopard Fairlady Z Laurel	SWN30066ZZ	6	1st	86.0	1.5	3.6	BF	HB	Cr	Fe	12033-P8600
					2nd	86.0	2.0	4.05	TUC	CR	Fe	Fe	12033-P8610
					Oil	86.0	4.0	3.25	NIFF-S	SR	Cr	Fe	12033-P7000 12033-P7910
RB30	2,962	Skyline Patrol	SWN30091ZZ	6	1st	86.0	1.5	3.1	BF-IB	SR	GN	GN	12033-67S10
					2nd	86.0	1.5	3.65	T1	CR	Cr	Fe	
					Oil	86.0	2.8	2.85	NIFF-S	SR	GN	GN	
NA20S	1,998	Datsun Truck Atlas Caravan Homy	SWN30202ZZ	4	1st	86.0	1.5	3.05	BF-IB	SR	Cr	Fe	12033-85G00
					2nd	86.0	1.5	3.65	T1	CR	Cr	Fe	12033-85G10
					Oil	86.0	4.0	3.25	NIFF-S	SR	Cr	Fe	
SR20DE	1,998	Bluebird Silvia 180SX Primera Serena	SWN30102ZZ (STD)	4	1st	86.0	1.5	3.05	BF-IB	SR	Cr	Fe	12033-60J20
					2nd	86.0	1.5	3.65	T1	CR	Cr	Fe	12033-60J22
					Oil	86.0	3.0	3.0	NIFF-S	SR	Cr	Fe	12033-60J62
			SWN30109ZZ (O/S0.2)	4	1st	86.2	1.5	3.1	BF-IB	SR	GN	GN	12035-60J20
					2nd	86.2	1.5	3.65	T1	CR	Cr	Fe	12035-60J22
					Oil	86.2	3.0	3.05	NIFF-S	SR	GN	GN	12035-60J62
			SWN30123ZZ (STD)	4	1st	86.0	1.2	3.1	BF	SR	GN	GN	12033-3J610
					2nd	86.0	1.2	3.7	T1	CR	Cr	Fe	12033-4M802
SWN30124ZZ (O/S0.2)	4	1st	86.2	1.2	3.1	BF	SR	GN	GN	12035-3J600			
		2nd	86.2	1.2	3.7	T1	CR	Cr	Fe	12035-3J610			
Z22E Z22S	2,187	Datsun Truck Cabstar	SWN30054ZZ	4	1st	87.0	1.5	3.05	BF	SR	Cr	Fe	12033-06W10
					2nd	87.0	1.5	3.8	T1	CR	Cr	Fe	12033-06W20
					Oil	87.0	4.0	3.05	NIFF-S	SR	GN	GN	12033-D8500

Engine Type	Exhaust quantity (c.c.)	Vehicle Model Chassis Type	NPR Catalog Code	Cyl No.	Position	Size (mm)			Shape	Material	Surface Treatment		Reference
						d 1 (D)	h 1 (B)	a 1 (T)			Outside	Upper / Lower	
VG30E VG30DE VG30DETT VE30DE	2,960	Cedric Gloria Fairlady Z Maxima Leopard	SWN30058ZZ	V6	1st	87.0	1.5	3.1	BF	SR	GN	GN	12033-02P10
					2nd	87.0	1.5	3.8	T1	CR	Cr	Fe	12033-03P00
					Oil	87.0	2.8	3.0	NIFF-S	SR	GN	GN	12033-03P10 12033-21P10 12033-F6500 12033-F6510 12033-F6511 12033-96E01
VG30i		Datsun Truck	SWN30093ZZ	V6	1st	87.0	2.0	3.1	BF-IB	SR	GN	GN	12033-15G10
					2nd	87.0	1.5	3.8	T1	CR	Cr	Fe	12033-V8000
					Oil	87.0	2.8	3.1	NIFF-S	SR	Cr	Fe	12033-15V00
H20	1,982	Cedric 130 130V W130 Junior 41 Caball C142 DC142 Clipper Miler 444 D444 444A Gloria Van Bus GC240	SWN30069ZZ	4	1st	87.2	2.0	4.05	BF	CR	Cr	Fe	12033-R9000
					2nd	87.2	2.5	4.05	TUC	CR	Fe	Fe	12033-R9023
					Oil	87.2	4.0	3.8	NIFF-S	SR	Cr	Fe	12033-Y4460
Z24	2,389	Datsun Truck	SWN30059ZZ	4	1st	89.0	1.5	3.25	BF	SR	Cr	Fe	12033-10W00
					2nd	89.0	1.5	3.9	T1	CR	Cr	Fe	12033-30W10
					Oil	89.0	4.0	3.2	NIFF-S	SR	Cr	Fe	
Z24i			SWN30085ZZ	4	1st	89.0	2.0	3.05	BF-IB	SR	Cr	Fe	12033-13G10
					2nd	89.0	1.5	3.9	T1	CR	Fe	Fe	12033-83W00
					Oil	89.0	4.0	3.2	NIFF-S	SR	Cr	Fe	
KA24E	2,389	Largo	SWN30096ZZ	4	1st	89.0	1.5	3.27	BF-IB	SR	Cr	Fe	12033-53F01
					2nd	89.0	1.5	3.9	T1	CR	Cr	Fe	12033-70F00
					Oil	89.0	2.8	3.15	NIFF-S	SR	Cr	Fe	12033-86G01
KA24DE	2,389	Altima Frontier Pickup Xterra	SWN30118ZZ	4	1st	89.0	1.5	3.05	BF-IB	SR	Cr	Fe	12033-1E400
					2nd	89.0	1.5	3.9	T1	CR	Cr	Fe	
					Oil	89.0	2.8	3.15	NIFF-S	SR	Cr	Fe	
			SWN30143ZZ	4	1st	89.0	1.2	3.25	BF-IB	SR	Cr	Fe	12033-9E000
					2nd	89.0	1.2	3.8	T1	CR	Cr	Fe	
					Oil	89.0	2.5	2.85	NIFF-S	SR	Cr	Fe	
SWN30143ZY (TCC-H-0083)	4	1st	89.0	1.2	3.25	BF-IB	SR	Cr	Fe	12033-5V110			
		2nd	89.0	1.2	3.8	T1	CR	Fe	Fe				
		Oil	89.0	2.5	2.85	NIFF-H	SR	Cr	Fe				

Engine Type	Exhaust quantity (c.c.)	Vehicle Model Chassis Type	NPR Catalog Code	Cyl No.	Position	Size (mm)			Shape	Material	Surface Treatment		Reference	
						d 1 (D)	h 1 (B)	a 1 (T)			Outside	Upper/Lower		
QR25DE	2,488	X-Trail 25X Serena Teana Elgrand Murano	SWN30140ZZ (STD)	4	1st	89.0	1.2	3.1	BF-IB	SR	GN	GN	12033-9H500	
					2nd	89.0	1.2	3.8	T1	CR	Cr	Fe	12033-8H301	
					Oil	89.0	2.5	2.85	NIFF-S	SR	GN	GN	12033-EA000 12033-EA00B	
		Altima Caravan Rogue	SWN30141ZZ (O/S0.2)	4	1st	89.2	1.2	3.1	BF-IB	SR	GN	GN		12035-9H500
					2nd	89.2	1.2	3.8	T1	CR	Cr	Fe		
					Oil	89.2	2.5	2.85	NIFF-S	SR	GN	GN		
		SWN30189ZY (STD)	4	1st	89.0	1.2	2.9	BF-IB	SR	GN	GN		12033-ET80B	
				2nd	89.0	1.2	3.8	T1	CR	Fe	Fe		12033-JA00B	
				Oil	89.0	2.0	2.25	NIFF-H	SR	GN	GN		12033-JG30A 12033-3TA0A	
		SWN30200ZY (O/S0.2)	4	1st	89.2	1.2	2.9	BF-IB	SR	GN	GN			
2nd	89.2			1.2	3.8	T1	CR	Fe	Fe					
Oil	89.2			2.0	2.25	NIFF-H	SR	GN	GN					
VG33	3,274	Elgrand Terrano	SWN30120ZZ	V6	1st	91.5	1.5	3.25	BF	SR	Cr	Fe	12033-0W000	
					2nd	91.5	1.5	4.0	T1	CR	Cr	Fe	12033-0W010	
					Oil	91.5	2.8	3.05	NIFF-S	SR	Cr	Fe		
Y44 Y40	4,414	President	SWN30078ZZ	V8	1st	92.0	2.0	3.1	BF	SR	GN	GN	12033-F2700	
					2nd	92.0	2.5	4.0	T1	CR	Cr	Fe	12033-F1100	
					Oil	92.0	4.0	3.3	NIFF-S	SR	Cr	Fe		
VQ30DE	2,987	Maxima Cedric Gloria	SWN30115ZZ (STD)	V6	1st	93.0	1.2	3.25	BF	SR	Cr	Fe	12033-38U01	
					2nd	93.0	1.2	4.0	T1	CR	Fe	Fe	12033-47U01	
					Oil	93.0	2.5	2.85	NIFF-S	SR	Cr	Fe	12033-2Y903 12033-AG301 12033-AG302 12033-47U03	
		SWN30119ZZ (O/S0.2)	V6	1st	93.2	1.2	3.3	BF-IB	SR	GN	GN		12035-AG301	
				2nd	93.2	1.2	4.0	T1	CR	Cr	Fe		12035-47U03	
				Oil	93.2	2.5	2.85	NIFF-S	SR	GN	GN			
VQ35DE	3,498	Elgrand Fuga Skyline Murano	SWN30131ZZ (STD)	V6	1st	95.5	1.2	3.45	BF	SR	Cr	Fe	12033-4W005	
					2nd	95.5	1.2	4.1	T1	CR	Fe	Fe	12033-8J100	
					Oil	95.5	2.5	2.75	NIFF-S	SR	Cr	Fe		
VQ40DE	3,954	Teana Maxima Stagea Quest Frontier NV1500 NV2500 NV3500	SWN30132ZZ (O/S0.2)	V6	1st	95.7	1.2	3.45	BF	SR	Cr	Fe	12035-4W003	
					2nd	95.7	1.2	4.1	T1	CR	Fe	Fe	12035-4W004	
					Oil	95.7	2.5	2.75	NIFF-S	SR	Cr	Fe	12035-4W005 12035-4W007 12035-5W300	
		SWN30191ZZ	V6	1st	95.5	1.2	3.1	BF	SR	GN	GN		12033-JA10D	
				2nd	95.5	1.2	4.1	TUC	CR	Fe	Fe		12033-JP00A	
				Oil	95.5	2.0	2.6	NIFF-H	SR	GN	GN			

Engine Type	Exhaust quantity (c.c.)	Vehicle Model Chassis Type	NPR Catalog Code	Cyl No.	Position	Size (mm)			Shape	Material	Surface Treatment		Reference
						d 1 (D)	h 1 (B)	a 1 (T)			Outside	Upper / Lower	
VQ35HR	3,498	Fairlady Z Skyline	SWN30162ZZ (STD)	V6	1st	95.5	1.2	3.1	BF	SR	GN	GN	12033-JK20A
					2nd	95.5	1.2	3.7	TUC	CR	Fe	Fe	12033-JK20C
VQ37VHR	3,696	Fuga	SWN30163ZZ (O/S0.2)	V6	Oil	95.5	2.0	2.6	NIFF-H	SR	GN	GN	
					1st	95.7	1.2	3.1	BF-IB	SR	GN	GN	12035-JK20A
					2nd	95.7	1.2	3.7	TUC	CR	Fe	Fe	12035-JK20C
VK50VE	5,026	Infiniti	SWN30184ZZ (STD)	V8	Oil	95.5	2.0	2.5	NIFF-H	SR	GN	GN	
					1st	95.5	1.2	3.15	BF-IB	SR	GN	GN	12033-ICA0A
					2nd	95.5	1.2	3.7	TUC	CR	Fe	Fe	
VK50VE	5,026	Infiniti	SWN30185ZZ (O/S0.2)	V8	Oil	95.5	2.0	2.5	NIFF-H	SR	GN	GN	
					1st	95.7	1.2	3.15	BF-IB	SR	GN	GN	12035-ICA0A
					2nd	95.7	1.2	3.7	TUC	CR	Fe	Fe	
TB42 TB42E	4,169	Safari	SWN30122ZZ	6	Oil	96.0	4.0	3.25	NIFF-S	SR	GN	GN	
					1st	96.0	2.0	3.3	BF	SR	GN	GN	12033-03J00
					2nd	96.0	2.0	4.2	T1	CR	Cr	Fe	
VK56DE (OLD)	5,552	Infiniti Armada	SWN30149ZZ (STD)	V8	Oil	98.0	2.5	2.6	NIFF-S	SR	Cr	Fe	
					1st	98.0	1.5	3.45	BF	SR	Cr	Fe	12033-7S001
					2nd	98.0	1.5	4.3	TUC	CR	Fe	Fe	
VK56DE (OLD)	5,552	Infiniti Armada	SWN30161ZZ (O/S0.2)	V8	Oil	98.2	2.5	2.6	NIFF-S	SR	Cr	Fe	
					1st	98.2	1.5	3.45	BF	SR	Cr	Fe	12035-7S002
					2nd	98.2	1.5	4.3	TUC	CR	Fe	Fe	
VK56DE (NEW)	5,552	Infiniti Patrol	SWN30160ZZ (STD)	V8	Oil	98.0	2.5	2.65	NIFF-S	SR	GN	GN	
					1st	98.0	1.5	3.3	BF	SR	GN	GN	12033-ZE00A
					2nd	98.0	1.5	4.3	TUC	CR	Fe	Fe	
VK56DE (NEW)	5,552	Infiniti Patrol	SWN30161ZY (O/S0.2)	V8	Oil	98.2	2.5	2.6	NIFF-S	SR	GN	GN	
					1st	98.2	1.5	3.3	BF	SR	GN	GN	12035-ZE00A
					2nd	98.2	1.5	4.3	TUC	CR	Fe	Fe	
VK56VD	5,552	Infiniti Patrol	SWN30177ZZ (STD)	V8	Oil	98.0	2.5	2.45	NIFF-H	SR	GN	GN	
					1st	98.0	1.2	3.1	BF-IB	SR	GN	GN	12033-1MC0B
					2nd	98.0	1.2	4.3	TUC	CR	Fe	Fe	12033-EZ30D
VK56VD	5,552	Infiniti Patrol	SWN30183ZZ (O/S0.2)	V8	Oil	98.2	2.5	2.45	NIFF-H	SR	GN	GN	
					1st	98.2	1.2	3.1	BF-IB	SR	GN	GN	12035-1MC0B
					2nd	98.2	1.2	4.3	TUC	CR	Fe	Fe	
TB45E	4,478	Fork Lift Safari	SWN30181ZZ	6	Oil	99.5	4.0	3.1	NIFF-S	SR	GN	GN	
					1st	99.5	2.0	3.5	BF	SR	GN	GN	12033-VB000
					2nd	99.5	1.5	4.2	T1	CR	Cr	Fe	

● Diesel-engine Automobiles ● ディーゼル車 ●

Engine Type	Exhaust quantity (c.c.)	Vehicle Model Chassis Type	NPR Catalog Code	Cyl No.	Position	Size (mm)			Shape	Material	Surface Treatment		Reference	
						d 1 (D)	h 1 (B)	a 1 (T)			Outside	Upper/Lower		
CD17	1,680	Sunny	SDN30088ZX	4	1st	80.0	1.75	2.85	BF-IB	SR	Cr	Fe	12033-16A00	
					2nd	80.0	2.0	3.3	T1-IC	CR	Cr	Fe		
					Oil	80.0	3.0	3.25	E-BC16	SR	GN	GN		
SD15	1,493	For Industrial Machine	SJN31024ZZ	3	1st	83.0	2.5	3.5	BF-K4	HB	Cr	Cr	12033-Z7003	
SD16	1,600				2nd	83.0	2.0	3.4	T1-IC	HB	Cr	Cr		Fe
					3rd	83.0	2.0	3.4	B1-TUC	CR	Cr	Fe		
					Oil 1	83.0	4.5	3.9	E-BC3	CR	Cr	Fe		
Oil 2	83.0	4.5	3.4	BC3	CR	Cr	Fe							
LD28	2,792	Cedric Gloria Skyline	SDN30067ZZ	6	1st	84.5	2.0	3.5	BF-IB	HB	Cr	Fe	12033-V0700	
2nd	84.5	2.0	3.5	T1-IC	CR	Fe	Fe							
Oil	84.5	4.0	4.1	E-BC16	CR	Cr	Fe							
CD20	1,973	Datsun Truck Sunny Diesel	SDN30133ZZ	4	1st	84.5	2.0	3.1	BF-IB	SR	GN	GN	12033-57J00	
2nd	84.5	2.0	3.5	T1-IC	CR	Cr	Fe							
Oil	84.5	3.0	3.25	E-BC16	SR	GN	GN							
CD20T	1,973	Avenir Serena Primera Vanette	SDN30203ZZ	4	1st	84.5	2.0	3.1	BF-K2	SR	GN	GN	12033-1C300	
2nd	84.5	2.0	3.5	T1-IC	CR	Cr	Fe							
Oil	84.5	3.0	3.25	E-BC16	SR	GN	GN							
LD20	1,952	Bluebird	SDN30098ZX	4	1st	85.0	2.0	3.05	BF-IB	SR	Cr	Fe	12033-W1700	
2nd	85.0	2.0	3.5	T1-IC	CR	Fe	Fe							
Oil	85.0	4.0	4.1	E-BC3	CR	Cr	Fe							
RD28	2,825	Crew Gloria Skyline	SDN30144ZZ	6	1st	85.0	2.0	3.1	BF	SR	GN	GN	12033-22J11	
2nd	85.0	2.0	3.5	T1-IC	CR	Cr	Fe							
Oil	85.0	4.0	4.35	E-BC16	SR	GN	GN							
YD22DD	2,184	Sunny	SDN30180ZZ	4	1st	86.0	2.0	3.1	BF-K2	SR	GN	GN	12033-AW400	
					2nd	86.0	2.0	3.6	T1-IC	CR	Fe	Fe		
					Oil	86.0	3.0	3.25	E-BC16	SR	GN	GN		
			SDN30169ZZ	4	1st	86.0	1.75	2.9	BF-K2	SR	GN	GN	12033-WD000	
					2nd	86.0	1.5	3.05	T1-IB	SR	Cr	Fe		
					Oil	86.0	3.0	3.25	E-BC16	SR	GN	GN		
LD23	2,283	Serena	SDN30145ZZ	4	1st	87.0	2.0	3.5	BF-IC	HB	Cr	Fe	12033-9C625	
2nd	87.0	2.0	3.4	TUC	CR	Cr	Fe							
Oil	87.0	3.0	3.3	E-BC16	CR	Cr	Fe							
YD25DDTi	2,488	Pathfinder Navara	SDN30182ZZ	4	1st	89.0	2.0	2.9	BF-K2	SR	GN	GN	12033-VK520	
					2nd	89.0	2.0	3.5	T1-IC	CR	Cr	Fe		
					Oil	89.0	3.0	3.25	E-BC16	SR	GN	GN		
		Serena Bassara Presage	SDN30182ZY	4	1st	89.0	2.0	2.9	BF-K2	SR	GN	GN	12033-VK510	
					2nd	89.0	2.0	3.6	T1-IB	CR	Fe	Fe	12033-EB30B	
					Oil	89.0	3.0	3.25	E-BC16	SR	GN	GN	12033-5X00A	

Engine Type	Exhaust quantity (c.c.)	Vehicle Model Chassis Type	NPR Catalog Code	Cyl No.	Position	Size (mm)			Shape	Material	Surface Treatment		Reference					
						d 1 (D)	h 1 (B)	a 1 (T)			Outside	Upper/Lower						
TD25-2	2,494	Truck	SDN30146ZZ	4	1st	92.9	2.5	3.45	BF	SR	Cr	Fe	12033-5T116					
					2nd	92.9	2.0	4.0	T1-IC	CR	Cr	Fe						
					Oil	92.9	3.0	3.25	E-BC16	SR	GN	GN						
TD27T AD27T	2,664	Truck Caravan	SDN30147ZZ	4	1st	96.0	2.5	3.5	BF-K2	SR	GN	GN	12033-37N10					
					2nd	96.0	2.0	4.0	T1-IC	CR	Cr	Fe						
					Oil	96.0	4.0	4.35	E-BC16	SR	GN	GN						
BD30	2,953	Cedric Atlas	SDN30150ZX	4	1st	96.0	2.5	3.65	BF	SR	Cr	Fe	12033-54T10					
					2nd	96.0	2.0	4.0	T1-IC	CR	Cr	Fe						
					Oil	96.0	4.0	4.35	E-BC16	SR	GN	GN						
ZD30DD ZD30DDT BD30T	2,953	Atlas Caravan Navara	SDN30153ZZ	4	1st	96.0	2.5	3.5	BF-K2	SR	GN	GN	12033-2W211 12033-0W814 12033-NA010 12033-0W813 12033-0W81A 12033-7F400					
					2nd	96.0	2.0	4.0	T1-IC	CR	Cr	Fe						
					Oil	96.0	3.0	3.25	E-BC16	SR	GN	GN						
TD27ETi	2,664	Caravan Coach Mistral Terrano																
TD42T	4,169	Safari Civilian	SDN30156ZZ	6	1st	96.0	2.5	3.5	BF-K2	SR	GN	GN	12033-DY712					
					2nd	96.0	2.0	4.0	T1-IC	CR	Cr	Fe						
					Oil	96.0	3.0	3.25	E-BC16	SR	GN	GN						
SDN30167ZZ	6	1st	96.0	2.5	3.7	BF-K2	SR	GN	GN	12033-05D01								
											2nd	96.0	2.0	4.0	T1-IC	CR	Cr	Fe
											Oil	96.0	4.0	4.15	E-BC16	SR	GN	GN
SDN30187ZZ	6	1st	96.0	2.5	4.0	BF	HB	Cr	Fe	12033-06J15								
											2nd	96.0	2.0	4.0	T1-IC	CR	Cr	Fe
											Oil	96.0	3.0	3.25	E-BC16	SR	GN	GN
ZD30DDTi TD27-4	2,953	Safari Terrano	SDN30174ZZ	4	1st	96.0	2.5	3.7	BF-K2	SR	GN	GN	12033-VK610 12033-DB010					
					2nd	96.0	2.0	4.0	T1-IB	CR	Fe	Fe						
					Oil	96.0	2.0	2.75	E-BC16	SR	GN	GN						
ZD30DD	2,953	Caravan Coach Safari Terrano	SDN30195ZZ	4	1st	96.0	2.0	3.1	BF	SR	GN	GN	12033-2W200B 12033-VW210 12033-VW211					
					2nd	96.0	1.2	3.0	T1-IB	SR	Cr	Fe						
					Oil	96.0	2.0	2.75	E-BC16	SR	GN	GN						
ED30	2,956	Truck	SDN30148ZZ	4	1st	98.0	3.0	4.2	BF	HB	Cr	Fe	12033-J5576					
					2nd	98.0	2.0	3.9	T1-IC	CR	Cr	Fe						
					Oil	98.0	4.5	4.4	E-BC3	CR	Cr	Fe						
QD32NA	3,153	Caravan Datsun truck Frontier	SDN30152ZZ	4	1st	99.2	2.5	3.7	BF	SR	GN	GN	12033-2S610					
					2nd	99.2	2.0	4.1	T1-IC	HB	Cr	Fe						
					Oil	99.2	3.0	3.15	E-BC16	SR	GN	GN						
QD32	3,153	Datsun Pick up Caravan Terrano	SDN30164ZZ	4	1st	99.2	2.5	3.8	BF-K2	HB	Cr	Fe	12033-1W411					
					2nd	99.2	2.0	4.1	T1-IC	HB	Cr	Fe						
					Oil	99.2	3.0	3.15	E-BC16	SR	GN	GN						

● Diesel-engine Automobiles ● ディーゼル車 ●

Engine Type	Exhaust quantity (c.c.)	Vehicle Model Chassis Type	NPR Catalog Code	Cyl No.	Position	Size (mm)			Shape	Material	Surface Treatment		Reference
						d 1 (D)	h 1 (B)	a 1 (T)			Outside	Upper/Lower	
SD20	1,991	Cedric	SJN31003ZZ	4	1st	83.0	2.5	3.5	BF	CR	Cr	Cr	12033-37500
		QG31Y Q131			2nd	83.0	2.0	3.4	T1	CR	Cr	Fe	12033-76201
		Junior			3rd	83.0	2.0	3.4	T1	CR	Cr	Fe	12033-76202
SD22	2,164	Q40 Q41	SJN31003ZZ	4	Oil 1	83.0	4.5	3.9	E-BC3	CR	Cr	Fe	12033-76203
		Caball			Oil 2	83.0	4.5	3.4	BC3	CR	Cr	Fe	12033-76204
		HQC142											12033-V1310
		QC240											12033-Y1400
		DQC240											12033-Y1401
		QC141											12033-Y1402
		Bus											12033-Y1403
		CQC142											12033-Y1404
		GHQC142											12033-Y1410
		KQC152											12033-Y3010
SD33T	3,246	Safari	SDN31028ZZ	6	1st	83.0	2.5	3.5	BF-K2	HB	Cr	Fe	12033-C8704
					2nd	83.0	2.0	3.4	T1-IC	HB	Cr	Fe	12033-C8702
					Oil	83.0	4.0	4.0	E-BC3	CR	Cr	Fe	
SD15 SD16	1,493	Fork Lift	SDN31030ZZ	3	1st	83.0	2.5	3.5	BF	HB	Cr	Fe	12033-Z7007
					2nd	83.0	2.0	3.4	T1-IC	HB	Cr	Fe	
					Oil	83.0	4.5	3.9	E-BC3	CR	Cr	Fe	
SD33 SD33T	3,246	Truck	SJN31004ZZ	6	1st	83.0	2.5	3.5	BF	CR	Cr	Cr	12033-61500
		QC80 QSC80			2nd	83.0	2.0	3.4	T1	CR	Cr	Fe	12033-61502
		DQSC80			3rd	83.0	2.0	3.4	T1	CR	Cr	Fe	12033-61503
		Safari			Oil 1	83.0	4.5	3.9	E-BC3	CR	Cr	Fe	12033-J2200
					Oil 2	83.0	4.5	3.4	BC3	CR	Cr	Fe	12033-J2201
										12033-J2204			
SD23	2,289	Truck	SDN31023ZZ	4	1st	89.0	2.5	3.7	BF	HB	Cr	Fe	12033-L2000
		Fork Lift			2nd	89.0	2.0	3.7	T1-IC	HB	Cr	Fe	12033-L2002
SD25(NEW)	2,494				Oil	89.0	4.5	4.2	E-BC3	CR	Cr	Fe	12033-L2003
													12033-L2004
TD23	2,289	Truck	SDN31037ZZ	4	1st	89.0	2.5	3.7	BF	HB	Cr	Fe	12033-02N00
		Caravan			2nd	89.0	2.0	3.7	T1-IC	HB	Cr	Fe	12033-02N10
		Atlas			Oil	89.0	4.0	4.15	E-BC16	SR	Cr	Fe	

Fit for UD TRUCKS NISSAN / UDトラックス
(NISSAN DIESEL / 日産ディーゼル)

Engine Type	Exhaust quantity (c.c.)	Vehicle Model Chassis Type	NPR Catalog Code	Cyl No.	Position	Size (mm)			Shape	Material	Surface Treatment		Reference
						d 1 (D)	h 1 (B)	a 1 (T)			Outside	Upper/Lower	
TD25	2,494	Truck Atlas	SDN31038ZX	4	1st	92.9	2.5	3.45	BF	SR	Cr	Fe	12033-44G10
					2nd	92.9	2.0	4.0	T1-IC	CR	Cr	Fe	
					Oil	92.9	4.0	4.35	E-BC16	SR	GN	GN	
TD25TI	2,494	Atlas Cedric	SDN30198ZZ	4	1st	92.9	2.5	3.7	BF-K2	SR	GN	GN	12033-3S910
					2nd	92.9	2.0	4.0	T1-IC	CR	Cr	Fe	
					Oil	92.9	3.0	3.25	E-BC16	SR	GN	GN	
TD27	2,664	Homy Atlas Datsun Caravan	SDN31035ZX	4	1st	96.0	2.5	3.65	BF	SR	Cr	Fe	12033-43G11
					2nd	96.0	2.0	4.0	T1-IC	CR	Cr	Fe	12033-43G10
					Oil	96.0	4.0	4.35	E-BC16	SR	GN	GN	
		SDN31056ZZ	4	1st	96.0	2.5	3.65	BF	SR	Cr	Fe	12033-6T010	
				2nd	96.0	2.0	4.0	T1-IC	CR	Cr	Fe		
				Oil	96.0	3.0	3.25	E-BC16	SR	GN	GN		
TD42 AD3	4,169	Datsun Jeep Safari Civillian	SDN31052ZX	6	1st	96.0	2.5	3.65	BF	SR	Cr	Fe	12033-06J10
					2nd	96.0	2.0	4.0	T1-IC	CR	Cr	Fe	12033-06J11
					Oil	96.0	4.0	4.35	E-BC16	SR	GN	GN	
TD42-T	4,169	Safari Gran Road	SDN31065ZZ	6	1st	96.0	2.5	3.65	BF	SR	Cr	Fe	12033-06J15
					2nd	96.0	2.0	4.0	T1-IC	CR	Cr	Fe	
					Oil	96.0	3.0	3.25	E-BC16	SR	GN	GN	
ED30	2,956	Truck Bison YC341 Caball YC341	SDN31015ZZ	4	1st	98.0	3.0	4.2	BF	HB	Cr	Fe	12033-J2002
					2nd	98.0	2.0	4.3	T1-IC	CR	Cr	Fe	12033-J2004
					3rd	98.0	2.0	4.3	T1	CR	Cr	Fe	12033-J2006
					Oil	98.0	4.5	4.4	E-BC3	CR	Cr	Fe	97011-02139
ED6 FD6	5,654	Truck Condor CM80 CM85 Bus R80 RM80	SDN31016ZZ	6	1st	100.0	3.0	4.2	BF	HB	Cr	Fe	12040-Z5025
					2nd	100.0	2.0	4.2	T1-IC	CR	Cr	Fe	12040-Z5026
					3rd	100.0	2.0	4.2	T1	CR	Cr	Fe	12040-Z5027
					Oil	100.0	4.5	4.5	E-BC3	CR	Cr	Fe	12040-Z5001(cyl)
FD6T	5,654	Truck Condor CM85 CK85	SDN31020ZZ	6	1st	100.0	3.0	4.2	BF-K1	HB	Cr	Fe	12040-Z5525
					2nd	100.0	2.0	4.2	T1-IC	CR	Cr	Fe	12040-Z5526
					3rd	100.0	2.0	4.2	T1	CR	Cr	Fe	12040-Z5501(cyl)
					Oil	100.0	4.5	4.5	E-BC3	CR	Cr	Fe	
		SDN31021ZZ	6	1st	100.0	3.0	4.2	BF-K2	HB	Cr	Fe	12033-Z5527	
				2nd	100.0	2.0	4.2	T1-IC	CR	Cr	Fe	12033-Z5502(cyl)	
				3rd	100.0	2.0	4.2	T1	CR	Cr	Fe		
				Oil	100.0	4.5	4.5	E-BC3	CR	Cr	Fe		
ED33	3,298	Truck Bison HMC341 Civillian GHMC341	SDN31025ZZ	4	1st	100.0	3.0	4.2	BF	HB	Cr	Fe	12033-J6500
					2nd	100.0	2.0	4.2	T1-IC	CR	Cr	Fe	12033-J6501
					Oil	100.0	4.5	4.5	E-BC3	CR	Cr	Fe	12033-T9000
													12033-Z5004(cyl)

Engine Type	Exhaust quantity (c.c.)	Vehicle Model Chassis Type	NPR Catalog Code	Cyl No.	Position	Size (mm)			Shape	Material	Surface Treatment		Reference
						d 1 (D)	h 1 (B)	a 1 (T)			Outside	Upper/Lower	
FD6T(NEW)	5,654	Truck	SDN31026ZZ	6	1st	100.0	3.0	4.2	BF-K2	HB	Cr	Fe	12040-Z5528
					2nd	100.0	2.0	4.2	T1-IC	CR	Cr	Fe	12033-Z5504(cyl)
					Oil	100.0	4.5	4.5	E-BC3	CR	Cr	Fe	
FD6 ED6	5,654	Truck	SDN31029ZZ	6	1st	100.0	3.0	4.2	BF	HB	Cr	Fe	12040-Z5028
					2nd	100.0	2.0	4.2	T1-IC	CR	Cr	Fe	12040-Z5005
					Oil	100.0	4.5	4.5	E-BC3	CR	Cr	Fe	
FD33T	3,298	Datsun Truck	SDN31032ZZ	4	1st	100.0	3.0	4.2	BF-K2	HB	Cr	Fe	12033-T9307
					2nd	100.0	2.0	4.2	T1-IC	CR	Cr	Fe	
					Oil	100.0	4.5	4.5	E-BC3	CR	Cr	Fe	
ED33(NEW)	3,298	Datsun Truck	SDN31050ZZ	4	1st	100.0	2.0	4.0	BF	HB	Cr	Fe	12033-T9303
					2nd	100.0	2.0	4.2	T1-IC	CR	Cr	Fe	12033-T9306
					Oil	100.0	4.0	4.05	E-BC16	SR	Cr	Fe	12033-W4200
FD35	3,465	Condor	SDN31045ZX	4	1st	102.5	2.0	3.65	BF	SR	Cr	Fe	12033-01T10
					2nd	102.5	2.0	4.2	T1-IC	CR	Cr	Fe	
					Oil	102.5	4.0	4.35	E-BC16	SR	GN	GN	
FD35T	3,465	Condor	SDN31057ZZ	4	1st	102.5	3.0	4.2	BF-K2	HB	Cr	Fe	12033-01T60
					2nd	102.5	2.0	4.2	T1-IC	CR	Cr	Fe	
					Oil	102.5	4.0	4.35	E-BC16	SR	GN	GN	
ED35	3,465	Datsun Truck	SDN31051ZZ	4	1st	102.5	3.0	3.65	BF	SR	Cr	Fe	12033-56T10
					2nd	102.5	2.0	4.2	T1-IC	CR	Cr	Fe	
					Oil	102.5	4.0	4.15	E-BC16	SR	Cr	Fe	
FM6T		Cargo Truck	SDN31061ZZ	6	1st	105.9	2.5	3.7	BF-K2	SR	GN	GN	12040-Z5508
					2nd	105.9	2.0	4.5	T1-IC	CR	Cr	Fe	
					Oil	105.9	4.0	4.35	E-BC16	SR	GN	GN	
FD42	4,214	Atlas Condor	TCC-N-0296	4	1st	108.0	3.0	4.3	BF	HB	Cr	Fe	12033-0T011
					2nd	108.0	2.0	4.5	T1-IC	CR	Cr	Fe	
					Oil	108.0	4.0	4.15	E-BC16	SR	Cr	Fe	
FD46 FD46T	4,617	Condor Atlas	SDN30171ZZ	4	1st	108.0	2.5	3.7	BF-K2	SR	GN	GN	12033-31D03
					2nd	108.0	2.0	4.5	T1-IC	CR	Cr	Fe	
					Oil	108.0	3.0	3.25	E-BC16	SR	GN	GN	
FD46	4,617	Condor Atlas	SDN31064ZX	4	1st	108.0	3.0	4.05	BF	SR	Cr	Fe	12033-0T010
					2nd	108.0	2.0	4.5	T1-IC	CR	Cr	Fe	12033-0T000
					Oil	108.0	4.0	4.4	E-BC16	SR	GN	GN	
FE6T	6,925	MK250	SDN31036ZY	6	1st	108.0	3.0	4.3	BF-K2	HB	Cr	Fe	12040-Z5505
					2nd	108.0	2.0	4.5	T1-IC	CR	Cr	Fe	12040-Z5512
					Oil	108.0	4.0	4.4	E-BC16	SR	GN	GN	12040-Z5517
FE6	6,925	MK250	SDN31044ZX	6	1st	108.0	3.0	3.9	BF	SR	GN	GN	12040-Z5504
					2nd	108.0	2.0	4.5	T1-IC	CR	Cr	Fe	12040-Z5511
					Oil	108.0	4.0	4.4	E-BC16	SR	GN	GN	

DAIHATSU
SUBARU
HINO
HONDA
ISUZU
KOMATSU
MAZDA
MITSUBISHI
NISSAN
UD TRUCK
SUZUKI
TOYOTA
DAEWOO
HYUNDAI
KIA
ASIA
CHRYSLER
FORD
GM

Fit for UD TRUCKS NISSAN / UDトラックス
(NISSAN DIESEL / 日産ディーゼル)

Engine Type	Exhaust quantity (c.c.)	Vehicle Model Chassis Type	NPR Catalog Code	Cyl No.	Position	Size (mm)			Shape	Material	Surface Treatment		Reference
						d 1 (D)	h 1 (B)	a 1 (T)			Outside	Upper / Lower	
FE6TA	6,925	MK250	SDN31054ZZ	6	1st	108.0	2.5	3.7	BF-K2	SR	GN	GN	12040-Z5519
					2nd	108.0	2.0	4.5	T1-IC	CR	Cr	Fe	12040-Z5560
					Oil	108.0	4.0	4.4	E-BC16	SR	GN	GN	12040-Z5561 12040-Z5603
FE6T-24V FE6TC	6,926	CWA214	SDN31067ZZ	6	1st	108.0	2.5	3.3	BF-K2	SR	GN	GN	12040-Z5608
					2nd	108.0	2.0	3.25	T1-IB	SR	Cr	Fe	
					Oil	108.0	3.0	3.25	E-BC16	SR	GN	GN	
UD3	3,076	Truck U680 TU680 DUG680 U681 Bus U690 UR690 NUR690 UG680	YDN31005ZZ	1	1st	110.0	3.0	4.45	BF	HB	Fe	Fe	12040-90008
					2nd	110.0	3.0	4.45	BF	HB	Fe	Fe	
					3rd	110.0	3.0	4.2	T1	CR	Fe	Fe	
					4th	110.0	3.0	4.2	T1	CR	Fe	Fe	
					Oil 1	110.0	4.8	4.8	E-BC3	CR	Fe	Fe	
					Oil 2	110.0	4.8	4.8	E-BC3	CR	Fe	Fe	
UD4	4,941	Truck T80 T80S T80SD TC81 Bus R80 4R82 4RA82 RX102 4RA104	YDN31005ZZ	1									
UD5	6,177	Truck 5TWDC10 Bus 5R104 5RA104	YDN31005ZZ	1									
UD6	7,413	Truck 6TW1Z 6TW1ZS 6TW12SD Bus 6R110 6RA110	YDN31005ZZ	1									
UD8	9,822	Bus U8RA110	YDN31005ZZ	1									
UD12	14,825	WD38	YDN31005ZZ	1									
ND6	6,842	CK10 PRX102 For Industrial Machine	SDN31006ZX	6	1st	110.0	4.0	4.4	BF	CR	Cr	Fe	12040-95025
					2nd	110.0	3.0	4.4	T1	CR	Cr	Fe	12040-95005(cyl)
					Oil	110.0	5.0	4.95	E-BC16	SR	GN	GN	12040-95006 12040-90127 12040-95004(cyl)

Engine Type	Exhaust quantity (c.c.)	Vehicle Model Chassis Type	NPR Catalog Code	Cyl No.	Position	Size (mm)			Shape	Material	Surface Treatment		Reference
						d 1 (D)	h 1 (B)	a 1 (T)			Outside	Upper/Lower	
ND6T	6,842	Bus	SDN31017ZZ	6	1st	110.0	4.0	4.4	BF-K1	HB	Cr	Fe	12040-90326
					2nd	110.0	3.0	4.4	T1	CR	Cr	Fe	12040-95003(cyl)
					Oil	110.0	5.0	4.7	E-BC3	HB	Cr	Fe	
NE6 NE6TA	7,412	U.S.A. Spec	SDN31031ZX	6	1st	110.0	3.0	4.1	BF-K2	SR	GN	GN	12040-95012
					2nd	110.0	2.5	4.0	T1-IC	CR	Cr	Fe	12040-95013
					Oil	110.0	4.0	4.35	E-BC16	SR	GN	GN	12040-95014 12040-95016 12040-95029
GH5	4,675	Condor MK LK	SDN31075ZZ	4	1st	110.0	2.8	3.7	BF-K1	SR	GN	GN	52215-34346
					2nd	110.0	2.0	4.35	T1	CR	Cr	Fe	
					Oil	110.0	2.5	3.05	E-BC16	SR	GN	GN	
GH7	7,013	Condor PK PW	SDN31076ZZ	6	1st	110.0	2.8	3.7	BF-K1	SR	GN	GN	
					2nd	110.0	2.0	4.35	T1	CR	Cr	Fe	
					Oil	110.0	2.5	3.05	E-BC16	SR	GN	GN	
NS6TA NF6TA	9,160	CV32	SDN31060ZZ	6	1st	120.0	3.0	4.1	BF-K2	SR	GN	GN	12040-95501
					2nd	120.0	2.5	4.8	T1-IC	CR	Cr	Fe	
					Oil	120.0	4.0	4.4	E-BC16	SR	GN	GN	
GH11	10,836	Quon Truck GK Truck	SDN31074ZZ	6	1st	123.0	3.306	4.5	BF-K1HB	SR	GN	GN	52213-56406
					2nd	123.0	2.5	4.3	T1-RB	SR	GN	GN	
					Oil	123.0	3.0	3.2	E-BC16	SR	GN	GN	
MD92TCI	9,203	Bus UA272 Truck Quon	SDN31053ZY	6	1st	125.0	2.5	4.3	BF-K2	SR	GN	GN	12040-Z6002
					2nd	125.0	2.0	4.3	T1-IB	SR	GN	GN	12040-Z6004
					Oil	125.0	3.0	3.1	E-BC16	SR	GN	GN	12040-Z6005
MD92	9,203	Condor	SDN31077ZZ	6	1st	125.0	2.0	4.1	BF-IB	SR	GN	GN	12040-Z6003(cyl)
					2nd	125.0	2.0	5.0	T1-IC	HB	Cr	Fe	
					Oil	125.0	3.0	3.25	E-BC16	SR	GN	GN	
PD6	10,308	CB20 CK20 TK20 U20 TFA21 CD40 CV40 CW40 PT81	SDN31007ZX	6	1st	125.0	5.0	5.2	BF	CR	Cr	Fe	12040-90026
					2nd	125.0	3.5	5.2	T1-IC	CR	Cr	Fe	12040-90029
					Oil	125.0	5.0	4.95	E-BC16	SR	GN	GN	12040-90125 12040-96007 12040-96009 12040-96026 12040-96127 12040-96226 12040-96000(cyl) 12040-96004(cyl)
PD6T	10,308	CW41 CK20 TK20 CD40 CV40 PT81 CW40 M20 CB20 TFA21	SDN31012ZX	6	1st	125.0	4.0	5.2	BF-K1	HB	Cr	Fe	12040-96125
					2nd	125.0	3.5	5.2	T1-IC	CR	Cr	Fe	12040-96129
					Oil	125.0	5.0	4.95	E-BC16	SR	GN	GN	12040-90228 12000-96005(cyl) 12040-96005(cyl) 12040-96010(cyl)

DAIHATSU
SUZUKI
HINO
HONDA
ISUZU
KOMATSU
MAZDA
MITSUBISHI
NISSAN
UD TRUCK
SUZUKI
TOYOTA
DAEWOO
HYUNDAI
KIA
ASIA
CHRYSLER
FORD
GM

Fit for UD TRUCKS NISSAN / UDトラックス
(NISSAN DIESEL / 日産ディーゼル)

Engine Type	Exhaust quantity (c.c.)	Vehicle Model Chassis Type	NPR Catalog Code	Cyl No.	Position	Size (mm)			Shape	Material	Surface Treatment		Reference				
						d 1 (D)	h 1 (B)	a 1 (T)			Outside	Upper/Lower					
PD6T	10,308	Bus Truck	SDN31042ZZ	6	1st	125.0	4.0	5.0	BF-K2	HB	Cr	Fe	12040-96013				
					2nd	125.0	3.5	5.2	T1-IC	CR	Cr	Fe					
					Oil	125.0	5.0	4.8	E-BC16	CR	Cr	Fe					
GH13	12,777	Quon Tractor	SDN31073ZZ	6	1st	131.0	3.306	4.7	BF-K1-IB	SR	GN	GN	52212-53763				
					2nd	131.0	2.5	4.7	T1-RC	SR	GN	GN					
					Oil	131.0	3.0	3.2	E-BC16	SR	GN	GN					
PE6	11,670	CK30 CK31 CV31 CD32 RB30 CB300	SDN31011ZZ	6	1st	133.0	4.0	5.2	BF-K1	HB	Cr	Fe	12040-90225				
					2nd	133.0	3.5	5.5	T1-IC	CR	Cr	Fe	12040-90227				
					Oil	133.0	6.0	5.7	E-BC3	CR	Cr	Fe	12040-96028 12040-96128 12040-96500(cyl) 12040-96503(cyl)				
PE6T	11,670	CD45	SDN31022ZZ	6	1st	133.0	4.0	5.3	BF-K2	HB	Cr	Fe	12040-96225				
					2nd	133.0	3.5	5.5	T1-IC	CR	Cr	Fe	12040-96228				
					Oil	133.0	6.0	5.7	E-BC3	HB	Cr	Fe	12040-96512 12040-96504(cyl) 12040-96509(cyl) 12040-96510(cyl) 12040-96513(cyl)				
							SDN31041ZY	6	1st	133.0	3.0	5.2	BF-K2	HB	Cr	Fe	12040-96517
								6	2nd	133.0	2.5	5.5	T1-IC	CR	Cr	Fe	
				6	Oil	133.0	4.0	4.35	E-BC16	SR	GN	GN					
PF6	12,503	Truck	SDN31048ZZ	6	1st	133.0	2.5	4.70	BF-K2	SR	GN	GN	12040-96566				
					2nd	133.0	2.5	5.50	T1-IC	CR	Cr	Fe	12040-96570				
					Oil	133.0	4.0	4.05	E-BC16	SR	Cr	Fe	12040-96564(cyl)				
RD8	14,313	Bus CD52 CW50 CW51 CW52 RA50 RA51 TWA52 WD151	SDN31013ZY	V8	1st	135.0	4.0	5.1	BF	HB	Cr	Fe	12040-90325				
					2nd	135.0	3.0	5.5	T1-IC	CR	Cr	Fe	12040-97008				
					Oil	135.0	6.0	5.7	E-BC16	CR	Cr	Fe	12040-97025 12040-97026 12040-97028 12040-97126 12040-97179 12040-97226 12040-97228 12040-97007(cyl)				
RD8T	14,313	Bus DA50 RA50 RA51	SDN31071ZZ	V8	1st	135.0	4.0	5.5	BF-K1	HB	Cr	Fe	12040-97109(cyl)				
					2nd	135.0	3.0	5.4	T1-IC	HB	Cr	Fe					
					Oil	135.0	5.0	4.95	E-BC16	SR	Cr	Fe					
RD10	17,829	CK60 CW60 CW61 WD23 WD30	SDN31014ZZ	V10	1st	135.0	4.0	5.1	BF	HB	Cr	Fe	12040-97025				
					2nd	135.0	3.0	5.5	T1-IC	CR	Cr	Fe	12040-97125				
					Oil	135.0	6.0	5.7	E-BC3	CR	Cr	Fe	12040-97127 12040-97227 12040-90229 12040-97007(cyl)				

Engine Type	Exhaust quantity (c.c.)	Vehicle Model Chassis Type	NPR Catalog Code	Cyl No.	Position	Size (mm)			Shape	Material	Surface Treatment		Reference	
						d 1 (D)	h 1 (B)	a 1 (T)			Outside	Upper/Lower		
RD10T	17,892	Truck Marine	SDN31072ZZ	V10	1st	135.0	4.0	5.5	BF-K1	HB	Cr	Fe	12040-97109(cyl)	
					2nd	135.0	3.0	5.4	T1-IC	HB	Cr	Fe		
					Oil	135.0	5.0	4.95	E-BC16	SR	Cr	Fe		
RD8T	14,313	Truck CV56	SDN31018ZZ	V8	1st	135.0	4.0	5.5	BF-K1	HB	Cr	Fe	12040-97128 12040-97008(cyl)	
					2nd	135.0	3.0	5.5	T1-IC	CR	Cr	Fe		
					Oil	135.0	6.0	5.7	E-BC16	CR	Cr	Fe		
RE8	15,115	CW53 CD53 CW510	SDN31033ZZ	V8	1st	135.0	3.0	5.1	BF	HB	Cr	Fe	12040-97074	
					2nd	135.0	3.0	5.5	T1-IC	CR	Cr	Fe		
					Oil	135.0	5.0	4.95	E-BC16	SR	Cr	Fe		
RE10	18,894		SDN31058ZZ	V10	1st	135.0	3.0	5.1	BF	HB	Cr	Fe		
					2nd	135.0	3.0	5.5	T1-IC	CR	Cr	Fe		
					Oil	135.0	5.0	4.95	E-BC16	SR	Cr	Fe		
GE13TD	13,074	Truck Big Thumb	SDN31063ZZ	6	1st	136.0	2.5	3.7	BF-K2	SR	GN	GN	12040-00Z07 12040-00Z0A	
					2nd	136.0	2.0	3.7	T1-IB	HB	Cr	Fe		
					Oil	136.0	3.0	3.0	E-BC16	SR	GN	GN		
RF8	16,991	CD520	SDN31034ZZ	V8	1st	138.0	2.5	5.2	BF-IB	HB	Cr	Fe	12040-97072	
					2nd	138.0	2.5	5.6	T1-IC	CR	Cr	Fe		
					Oil	138.0	4.0	4.65	E-BC16	SR	Cr	Fe		
		CD520 Big Thumb	SDN31034ZX	V8	1st	138.0	2.5	4.7	BF	SR	GN	GN	12040-97072	
					2nd	138.0	2.5	5.6	T1-IC	CR	Cr	Fe		
					Oil	138.0	4.0	4.35	E-BC16	SR	GN	GN		
RF8T	16,991	CD520	SDN31068ZZ	V8	1st	138.0	3.0	4.7	BF-K2	SR	GN	GN	12040-97101	
					2nd	138.0	2.5	5.6	T1-IC	CR	Cr	Fe		
					Oil	138.0	4.0	4.05	E-BC16	SR	GN	GN		
RF8TI	16,991	Big Thumb	TCC-N-0295	V8	1st	138.0	2.5		BF-K2	SR	GN	GN	12040-ND000	
					2nd	138.0	2.0		T1-IB	SR	GN	GN		
					Oil	138.0	4.0		E-BC16	SR	GN	GN		
RF10	21,239	Big Thumb	SDN31043ZZ	V10	1st	138.0	2.5	4.7	BF	SR	GN	GN	12040-97078	
					2nd	138.0	2.5	5.6	T1-IC	CR	Cr	Fe		
					Oil	138.0	4.0	4.35	E-BC16	SR	GN	GN		
RG8	17,991	KL-CD53	SDN31059ZZ	V8	1st	142.0	3.0	4.7	BF	SR	GN	GN	12040-97107	
					2nd	142.0	2.5	5.8	T1-IB	CR	Cr	Fe		
					Oil	142.0	4.0	4.35	E-BC16	SR	GN	GN		
				TCC-H-0097	V8	1st	142.0	2.5		BF	SR	GN	GN	12040-ND001
						2nd	142.0	2.0		T1-IB	SR	GN	GN	
						Oil	142.0	4.0		E-BC16	SR	GN	GN	
RH8	21,205	Tractor	YDN31055ZZ (cyl)	1	1st	150.0	3.0	4.7	BF	SR	GN	GN	12040-97106(cyl)	
RH10	26,507				2nd	150.0	2.5	5.6	T1-IC	CR	Cr	Fe	12040-97105(cyl)	
					Oil	150.0	4.0	4.35	E-BC16	SR	GN	GN		

DAIHATSU
SUBARU
HINO
HONDA
ISUZU
KOMATSU
MAZDA
MITSUBISHI
NISSAN
UD TRUCK
SUZUKI
TOYOTA
DAEWOO
HYUNDAI
KIA
ASIA
CHRYSLER
FORD
G M

● Gasoline-engine Automobiles ● ガソリン車 ●

Engine Type	Exhaust quantity (c.c.)	Vehicle Model Chassis Type	NPR Catalog Code	Cyl No.	Position	Size (mm)			Shape	Material	Surface Treatment		Reference
						d 1 (D)	h 1 (B)	a 1 (T)			Outside	Upper/Lower	
LJ50	539	Carry Truck Carry Van	SBS20078ZZ	3	1st	61.0	1.2	2.45	K2	SR	Cr	Fe	12140-72811
					2nd	61.0	2.0	2.6	BF-K2	CR	Cr	Fe	12140-67011
F8A	797	New Jimny Carry Van	SWS20098ZZ	4	1st	62.0	1.5	2.8	BF	HB	Cr	Fe	12140-73010
					2nd	62.0	1.5	2.8	T1	CR	Fe	Fe	
					Oil	62.0	2.8	2.8	NIFF-S	SR	Cr	Fe	
F5A	543	Fronte 550	SWS20138ZZ	3	1st	62.0	1.5	2.8	BF	HB	Cr	Fe	12140-73000
					2nd	62.0	1.5	2.8	T1	CR	Fe	Fe	
					Oil	62.0	2.8	2.8	NIFF-S	SR	Cr	Fe	
F8A(NEW)	797	Jimny Carry Van	SWS20153ZZ	4	1st	62.0	1.2	2.25	BF-IB	SR	Cr	Fe	12140-85050
					2nd	62.0	1.2	2.5	TUC	CR	Fe	Fe	
					Oil	62.0	2.8	2.85	NIFF-S	SR	GN	GN	
F5A(NEW)	543	Fronte Cervo	SWS20184ZZ	3	1st	62.0	1.2	2.25	BF-IB	SR	Cr	Fe	12140-85050
					2nd	62.0	1.2	2.5	TUC	CR	Fe	Fe	
					Oil	62.0	2.8	2.85	NIFF-S	SR	GN	GN	
R06A	658	MR Wagon Wagon R Alto Carry Spacia Hustler Every	TCC-N-0701	3	1st	64.0	1.0		BF-IB	SR	GN	GN	12140-55S00
					2nd	64.0	1.0		TUC	SR	Fe	Fe	
					Oil	64.0	2.0		NIFF-H	SR	GN	GN	
F6A	657	Alto Van Cervo	SWS20128ZZ	3	1st	65.0	1.2	2.3	BF-IB	SR	GN	GN	12140-51E50
					2nd	65.0	1.5	2.7	TUC	CR	Fe	Fe	
					Oil	65.0	2.5	2.5	NIFF-H	SR	GN	GN	
		Alto Works RS/R AZ Wagon Kei	SWS20211ZZ	3	1st	65.0	1.2	2.3	BF-IB	SR	GN	GN	12140-50E50
					2nd	65.0	1.2	2.7	TUC	CR	Fe	Fe	
					Oil	65.0	2.5	2.5	NIFF-H	SR	GN	GN	
F6A-N	657	Alto Cuppuccino Cara Carry Every Jimny	SWS20220ZZ	3	1st	65.0	1.0	2.25	BF-IB	SR	Cr	Fe	12140-51F10
					2nd	65.0	1.2	2.75	T1	CR	Fe	Fe	
					Oil	65.0	2.0	2.55	NIFF-H	SR	GN	GN	
F10A	970	Jimny	SWS20106ZZ	4	1st	65.5	1.5	2.5	BF	SR	GN	GN	12140-75111 12140-75110(cyl)
					2nd	65.5	1.5	2.7	T1	CR	Fe	Fe	
					Oil	65.5	2.8	2.8	NIFF-H	SR	Cr	Fe	
K6A	658	Alto Jimny Kei	SWS20200ZZ	3	1st	68.0	1.0	2.25	BF-IB	SR	Cr	Fe	12140-73601
					2nd	68.0	1.2	2.5	TUC	CR	Fe	Fe	
					Oil	68.0	2.0	2.3	NIFF-H	SR	Cr	Fe	
K10A	996	Alto Works	SWS20206ZZ	4	1st	68.0	1.0	2.25	BF-IB	SR	Cr	Fe	12140-73G01-000
					2nd	68.0	1.2	2.5	TUC	CR	Fe	Fe	
					Oil	68.0	2.0	2.3	NIFF-H	SR	Cr	Fe	

Engine Type	Exhaust quantity (c.c.)	Vehicle Model Chassis Type	NPR Catalog Code	Cyl No.	Position	Size (mm)			Shape	Material	Surface Treatment		Reference
						d 1 (D)	h 1 (B)	a 1 (T)			Outside	Upper/Lower	
SS80 Y64 Y65	796	Alto Fronte	SWS20120ZZ	3	1st	68.5	1.5	2.8	BF	HB	Cr	Fe	12140-78410
					2nd	68.5	1.5	2.8	T1	CR	Fe	Fe	12140-78411(cyl)
					Oil	68.5	2.8	2.8	NIFF-S	SR	Cr	Fe	
F8D	796	Alto	SWS20221ZZ	3	1st	68.5	1.2	2.65	BF-IB	SR	Cr	Fe	12140M84400
					2nd	68.5	1.5	2.8	T1	CR	Fe	Fe	
					Oil	68.5	2.5	2.25	NIFF-H	SR	Cr	Fe	
F10D	1,061	Maruti Zen Estilo Suzuki/Maruti Alto Wagon R	SWS20225ZZ	4	1st	68.5	1.0	2.5	BF-IB	SR	GN	GN	12140M79G60-000
					2nd	68.5	1.2	2.7	TUC	CR	Fe	Fe	
					Oil	68.5	2.0	2.55	NIFF-H	SR	GN	GN	
K12A	1,197	Swift	SWS20205ZZ	4	1st	71.0	1.0	2.5	BF-IB	SR	GN	GN	12140-75F30-000
					2nd	71.0	1.2	2.8	TUC	CR	Cr	Fe	
					Oil	71.0	2.0	2.5	NIFF-H	SR	GN	GN	
G10	993	Cultus Forsa Swift	SWS20209ZZ	4	1st	72.0	1.2	2.7	BF-IB	SR	GN	GN	12140-72F00
					2nd	72.0	1.5	3.2	TUC	CR	Fe	Fe	
					Oil	72.0	2.8	2.8	NIFF-H	SR	GN	GN	
K10B	996	Splash Alto Wagon R Multi Suzuki	SWS20223ZZ	3	1st	73.0	1.0	2.3	BF-IB	SR	GN	GN	12140B58M50N000
					2nd	73.0	1.2	2.55	TUC	CR	Fe	Fe	
					Oil	73.0	2.0	2.2	NIFF-H	SR	GN	GN	
G10	993	Swift Cultus	SWS20144ZZ	3	1st	74.0	1.2	2.7	BF	SR	GN	GN	12140-82161
					2nd	74.0	1.5	3.2	T1-IB	CR	Cr	Fe	
					Oil	74.0	2.8	2.8	NIFF-S	SR	Cr	Fe	
	993	Cultus	SWS20131ZZ	3	1st	74.0	1.2	2.8	BF	SR	Cr	Fe	12140-82001(cyl)
					2nd	74.0	1.5	3.2	T1	CR	Fe	Fe	12140-82050(cyl)
					Oil	74.0	2.8	2.8	NIFF-S	SR	Cr	Fe	12140-82051(cyl)
	993	Cultus	SWS20185ZZ	3	1st	74.0	1.2	2.7	BF-IB	SR	GN	GN	12140-63E50
					2nd	74.0	1.2	3.2	TUC	CR	Fe	Fe	
					Oil	74.0	2.5	2.85	NIFF-S	SR	GN	GN	
G13A G13BA	1,298	Cultus	SWS20141ZZ	4	1st	74.0	1.2	2.8	BF	SR	Cr	Fe	12140-82001(cyl)
					2nd	74.0	1.5	3.2	T1	CR	Fe	Fe	12140-82050(cyl)
					Oil	74.0	2.8	2.8	NIFF-S	SR	Cr	Fe	12140-82051(cyl)
	Swift	SWS20143ZZ	4	1st	74.0	1.2	2.85	BF-IB	SR	Cr	Fe	12140-82010	
				2nd	74.0	1.5	3.2	T1-IB	CR	Fe	Fe		
				Oil	74.0	2.8	2.55	NIFF-S	SR	Cr	Fe		
G13B G13BB	1,298	Swift	SWS20186ZZ	4	1st	74.0	1.2	2.7	BF-IB	SR	GN	GN	12140-63E50
					2nd	74.0	1.2	3.2	TUC	CR	Fe	Fe	
					Oil	74.0	2.5	2.85	NIFF-S	SR	GN	GN	

Engine Type	Exhaust quantity (c.c.)	Vehicle Model Chassis Type	NPR Catalog Code	Cyl No.	Position	Size (mm)			Shape	Material	Surface Treatment		Reference
						d 1 (D)	h 1 (B)	a 1 (T)			Outside	Upper/Lower	
G16A G16B	1,590	Escudo	SWS20142ZZ	4	1st	75.0	1.2	2.7	BF-IB	SR	GN	GN	12140-60A50
					2nd	75.0	1.5	3.2	TUC	CR	Fe	Fe	
					Oil	75.0	2.8	2.8	NIFF-S	SR	GN	GN	
	SWS20190ZZ		4	1st	75.0	1.2	2.7	BF-IB	SR	GN	GN	12140-61G50 12140-61G00(cyl)	
				2nd	75.0	1.2	2.8	TUC	CR	Fe	Fe		
				Oil	75.0	2.5	2.45	NIFF-H	SR	GN	GN		
G15A G16A	1,493	APV	SWS20217ZZ	4	1st	75.0	1.2	2.7	BF-IB	SR	GN	GN	12140-61J00
	1,590				2nd	75.0	1.2	3.15	TUC	CR	Fe	Fe	
M13A	1,328	Swift Jimny	SWS20199ZZ	4	1st	78.0	1.2	2.85	BF-IB	SR	Cr	Fe	
					2nd	78.0	1.5	3.2	TUC	CR	Fe	Fe	
					Oil	78.0	2.8	2.6	NIFF-S	SR	Cr	Fe	
M13A M15A	1,328	Swift Solio	SWS20196ZY	4	1st	78.0	1.2	2.7	BF-IB	SR	GN	GN	12140-54GA0
	1,490				Chevrolet MW Aerio SX-4	2nd	78.0	1.2	3.0	TUC	CR	Fe	
H20A	1,998	Escudo Vitara	SWS20228ZZ	V6	1st	78.0	1.2	2.7	BF-IB	SR	GN	GN	12140-85FA0
					2nd	78.0	1.5	3.2	TUC	CR	Fe	Fe	
					Oil	78.0	2.5	2.75	NIFF-H	SR	GN	GN	
J18 J18A	1,840	Estreem Cultus	SWS20178ZZ	4	1st	84.0	1.2	2.9	BF-IB	SR	GN	GN	12140-77E00
					2nd	84.0	1.5	3.55	TUC	CR	Cr	Fe	
					Oil	84.0	2.5	2.85	NIFF-S	SR	GN	GN	
J20 J20A	1,995	Escudo Aerio											
J20B	1,995	SX-4	SWS20216ZZ	4	1st	84.0	1.2	2.5	BF-IB	SR	GN	GN	12140-65J00
					2nd	84.0	1.2	3.0	TUC	CR	Cr	Fe	
					Oil	84.0	2.5	2.45	NIFF-H	SR	GN	GN	
H25A	2,494	Escudo	SWS20207ZZ	V6	1st	84.0	1.2	2.9	BF-IB	SR	GN	GN	12140-86FA0
					2nd	84.0	1.5	3.55	TUC	CR	Cr	Fe	
					Oil	84.0	2.5	2.85	NIFF-S	SR	GN	GN	
H27A	2,736	Escude	SWS20210ZZ	V6	1st	88.0	1.2	3.3	BF-IB	SR	GN	GN	12140-52D00-00
					2nd	88.0	1.5	3.3	TUC	CR	Cr	Fe	
					Oil	88.0	2.8	2.85	NIFF-S	SR	GN	GN	
J24B	2,393	Escude	SWS20215ZZ	4	1st	92.0	1.2	3.1	BF-IB	SR	GN	GN	12140-78K00
					2nd	92.0	1.0	3.1	TUC	HB	Fe	Fe	
					Oil	92.0	2.0	2.55	NIFF-H	SR	GN	GN	

● Gasoline-engine Automobiles ● ガソリン車 ●

Engine Type	Exhaust quantity (c.c.)	Vehicle Model Chassis Type	NPR Catalog Code	Cyl No.	Position	Size (mm)			Shape	Material	Surface Treatment		Reference		
						d 1 (D)	h 1 (B)	a 1 (T)			Outside	Upper/Lower			
1SZ	997	Vitz	SWT10201ZZ	4	1st	69.0	1.2	2.25	BF	SR	Cr	Fe	13011-23040		
					2nd	69.0	1.2	2.8	TUC	CR	Fe	Fe	13011-23041		
					Oil	69.0	2.0	2.2	NIFF-H	SR	GN	GN			
1E-L	999	Starlet	SWT10104ZZ	4	1st	70.5	1.5	2.7	BF-IB	SR	GN	GN	13011-10070		
					2nd	70.5	1.5	2.9	T1	CR	Fe	Fe	13011-10080		
					Oil	70.5	3.0	3.05	NIFF-S	SR	GN	GN	13011-10081		
1KR-FE	996	iQ Passo Boon Vitz	SWT10223ZZ	3	1st	71.0	1.0	2.3	BF	SR	Cr	Fe	13011-40030A		
					2nd	71.0	1.0	2.3	TUC	SR	Fe	Fe	13011-40050		
					Oil	71.0	1.5	2.2	NIFF-H	SR	Cr	Fe	13011-40051		
													13011-40052		
1KR-VE	998	Agya Wigo	SWT10265ZZ	3	1st	71.0	1.0	2.3	BF-IB	SR	GN	GN	13011-BZ150		
					2nd	71.0	1.0	2.3	TUC	SR	Fe	Fe			
					Oil	71.0	2.0	2.2	NIFF-H	SR	GN	GN			
K3-VE	1,297	bB	SWT10220ZZ	4	1st	72.0	1.2	2.3	BF	SR	GN	GN	13011-BZ010		
					2nd	72.0	1.2	2.6	TUC	CR	Fe	Fe	13011-23060		
2SZ					Oil	72.0	2.0	2.25	NIFF-H	SR	GN	GN			
2K	993	Publica Starlet	SWT10029ZZ	4	1st	72.0	2.0	3.4	T1	CR	Cr	Fe	13011-12030		
					2nd	72.0	2.0	3.4	T1	CR	Fe	Fe	13011-12010		
					Oil	72.0	4.0	3.8	NIFF-S	SR	Cr	Fe	13011-12031		
3SZ-VE	1,495	Rush bB Town Ace Lite Ace Avanza	SWT10219ZZ	4	1st	72.0	1.2	2.5	BF-IB	SR	GN	GN	13011-BZ110		
					2nd	72.0	1.2	2.3	TUC	HB	Fe	Fe	13011-BZ1040		
					Oil	72.0	2.0	2.25	NIFF-H	SR	GN	GN			
2SZ-FE	1,296	Vitz	SWT10238ZZ	4	1st	72.0	1.0	2.25	BF-IB	SR	Cr	Fe	13011-23073		
					2nd	72.0	1.0	2.3	TUC	SR	Fe	Fe			
					Oil	72.0	1.5	2.0	NIFF-H	SR	Cr	Fe			
1NR-FE	1,329	iQ Corolla Yaris	SWT10251ZZ	4	1st	72.5	1.0	2.3	BF-IB	SR	GN	GN	13011-47031		
					2nd	72.5	1.0	2.3	TUC	SR	Fe	Fe			
					Oil	72.5	1.5	2.0	NIFF-H	SR	Cr	Fe			
		Corolla Yaris			SWT10250ZZ	4	1st	72.5	1.0	2.3	BF-IB	SR	GN	GN	13011-47033
							2nd	72.5	1.0	2.3	TUC	SR	Fe	Fe	
							Oil	72.5	2.0	2.25	NIFF-H	SR	GN	GN	
3NR-FE 3NR-VE	1,197	Agya Etios Yaris	SWT10252ZZ	4	1st	72.5	1.0	2.45	BF-IB	SR	Cr	Fe	04130-47010		
					2nd	72.5	1.0	2.3	TUC	SR	Fe	Fe			
					Oil	72.5	2.0	2.55	NIFF-H	SR	Cr	Fe			
2E-LU 2E-ELU	1,295	Corolla Starlet Sprinter	SWT10105ZZ	4	1st	73.0	1.5	2.7	BF-IB	SR	GN	GN	13011-11040		
					2nd	73.0	1.5	3.1	TUC	CR	Fe	Fe	13011-11041		
					Oil	73.0	3.0	3.05	NIFF-S	SR	GN	GN	13011-11060		
3E 3E-E	1,456	Tercel Corsa			SWT10143ZZ	4	1st	73.0	1.5	2.65	BF	SR	Cr	Fe	13011-11090
							2nd	73.0	1.5	3.1	TUC	CR	Fe	Fe	13011-11061
3E-E		Tercel Corsa Corolla					Oil	73.0	3.0	3.0	NIFF-S	SR	Cr	Fe	

Engine Type	Exhaust quantity (c.c.)	Vehicle Model Chassis Type	NPR Catalog Code	Cyl No.	Position	Size (mm)			Shape	Material	Surface Treatment		Reference
						d 1 (D)	h 1 (B)	a 1 (T)			Outside	Upper / Lower	
4E-FE	1,331	Corolla	SWT10128ZZ	4	1st	74.0	1.2	2.7	BF	SR	Cr	Fe	13011-11122
		Starlet			2nd	74.0	1.2	3.1	TUC	CR	Fe	Fe	13011-11140
		Sprinter			Oil	74.0	3.0	2.85	NIFF-S	SR	Cr	Fe	13011-11160
5E-FE	1,496	Tercel											
		Corsa											
K	1,077	Publica	SWT10052ZY	4	1st	75.0	2.0	3.6	BF	CR	Cr	Fe	13011-22011
3K	1,166	Starlet			2nd	75.0	2.0	3.6	T1	CR	Fe	Fe	13011-24010
		Sprinter			Oil	75.0	4.0	3.05	NIFF-S	SR	Cr	Fe	13011-24011
4K	1,290	Corolla										13011-24012	
		Corona											13011-24020
		Daihatsu											13011-24030
		Charman											
4K-E	1,290	Corolla	SWT10109ZZ	4	1st	75.0	1.5	3.05	BF	SR	Cr	Fe	13011-13010
		Starlet			2nd	75.0	1.5	3.4	T1	CR	Fe	Fe	13011-13060
		Sprinter			Oil	75.0	4.0	3.05	NIFF-S	SR	GN	GN	
1G-EU	1,988	Soarer	SWT10073ZZ	6	1st	75.0	1.5	3.25	BF	HB	Cr	Fe	13011-70010
		Crown			2nd	75.0	1.5	3.4	T1	CR	Fe	Fe	13011-70030
		Mark II			Oil	75.0	4.0	3.05	NIFF-S	SR	Cr	Fe	
		Chaser											
		Cresta											
1G-FE	1,988	Crown	SWT10170ZZ	6	1st	75.0	1.2	2.5	BF	SR	Cr	Fe	13011-70110
		Mark II			2nd	75.0	1.2	2.8	TUC	CR	Fe	Fe	
		Chaser			Oil	75.0	3.0	2.8	NIFF-S	SR	Cr	Fe	
		Cresta											
1G-GEU	1,988	Altezza	SWT10212ZZ	6	1st	75.0	1.2	3.05	BF-IB	SR	Cr	Fe	13011-88300
		Crown			2nd	75.0	1.5	3.2	TUC	CR	Cr	Fe	
		Cresta			Oil	75.0	2.8	2.8	NIFF-S	SR	Cr	Fe	
		Supra											
		Soarer											
		Chaser											
		Mark II											
M 2M	1,988	Crown	SXT10004ZZ	6	1st	75.0	2.0	3.6	T1	CR	Cr	Cr	13011-41011
	2,253				2nd	75.0	2.0	3.6	T1	CR	Fe	Fe	13011-41015
					Oil	75.0	4.0	3.15	NIFF-S	SR	Cr	Fe	13011-41040
1NZ-FE	1,496	Vitz	SWT10192ZZ	4	1st	75.0	1.2	2.5	BF	SR	GN	GN	13011-21050
2NZ-FE	1,298	1st			2nd	75.0	1.2	2.8	TUC	CR	Fe	Fe	13011-21041
		Porte			Oil	75.0	2.0	2.2	NIFF-H	SR	GN	GN	
		Corolla											
		Funcargo											
2NZ-FE	1,298	Yaris	SWT10211ZZ	4	1st	75.0	1.2	2.5	BF	SR	GN	GN	13011-21060
		Vitz			2nd	75.0	1.2	2.5	TUC	HB	Cr	Fe	
		Funcargo			Oil	75.0	3.0	2.55	NIFF-S	SR	GN	GN	

Engine Type	Exhaust quantity (c.c.)	Vehicle Model Chassis Type	NPR Catalog Code	Cyl No.	Position	Size (mm)			Shape	Material	Surface Treatment		Reference
						d 1 (D)	h 1 (B)	a 1 (T)			Outside	Upper/Lower	
1NZ-FXE	1,497	Prius Hybrid	SDT1022ZZ	4	1st	75.0	1.2	2.5	BF TUC E-BC16	SR CR SR	GN Fe GN	GN Fe GN	13011-21030 13011-21070
					2nd Oil	75.0	2.0	2.75					
1NZ-FE-2	1,497	Corolla Premio Vitz Auris	SWT10253ZZ	4	1st	75.0	1.0	2.3	BF TUC NIFF-H	SR CR SR	GN Fe GN	GN Fe GN	13011-21091
					2nd Oil	75.0	2.0	2.5					
1NZ-FE	1,497	Corolla Premio Allion	SWT10256ZZ	4	1st	75.0	1.0	2.3	BF TUC NIFF-H	SR CR SR	GN Fe GN	GN Fe GN	13011-21080
					2nd Oil	75.0	1.5	2.0					
2A-U 2A-LU	1,295	Tercel Corsa Corolla	SWT10068ZX	4	1st	76.0	2.0	2.85	BF T1 NIFF-S	SR CR SR	Cr Fe Cr	Fe Fe Fe	13011-14010 13011-14020 13011-14021
					2nd Oil	76.0	4.0	3.0					
3P 4P	1,350	Hi Ace Corona Van Toyo Ace	SWT10009ZZ	4	1st	76.6	2.0	3.5	T1 NIFF-S	CR CR SR	Cr Fe Cr	Fe Fe Fe	13011-23030
					2nd Oil	76.6	4.0	3.3					
1A-U 3A-U	1,452	Corona Tercel Corolla Sprinter Corsa	SWT10078ZX	4	1st	77.5	1.5	2.85	BF T1 NIFF-S	SR CR SR	Cr Fe Cr	Fe Fe Fe	13011-15010 13011-15011 13011-15020 13011-15021 13011-15031
					2nd Oil	77.5	2.8	2.8					
2R	1,490	Corona Stout Hi Lux Toyo Ace Bus	SWT10014ZZ	4	1st	78.0	2.0	3.7	T1 TUC NIFF-S	CR CR SR	Cr Cr Cr	Fe Fe Fe	13011-31010 13011-31030 13011-31040
					2nd Oil	78.0	4.0	3.05					
5A	1,498	Corolla Sprinter Carina	SWT10161ZZ	4	1st	78.7	1.5	2.65	BF T1 NIFF-S	SR CR SR	Cr Fe Cr	Fe Fe Fe	13011-15050
					2nd Oil	78.7	3.0	2.8					
5A-F 5A-FE	1,498	Corolla	SWT10181ZZ	4	1st	78.7	1.2	2.85	BF T1 NIFF-S	SR CR SR	Cr Fe Cr	Fe Fe Fe	13011-15100 13011-15120
					2nd Oil	78.7	3.0	2.8					
8A-FE	1,342	Vios	SWT10266ZZ (TCC-G-0058)	4	1st	78.7	1.2	2.7	BF T1 NIFF-S	SR CR SR	GN Fe GN	GN Fe GN	13011-15130
					2nd Oil	78.7	3.0	2.7					
1ZZ-FE	1,794	Corolla Vista	SWT10183ZZ	4	1st	79.0	1.2	2.65	BF TUC NIFF-S	SR CR SR	Cr Fe Cr	Fe Fe Fe	13011-22030 13011-22040 13011-22100 13011-22111 13011-22200 13011-22220 13011-22221 13011-22230 13011-22090 13011-0D010
					2nd Oil	79.0	3.0	2.55					
3ZZ-FE	1,598	Corolla Avensis											
1ZZ-FE	1,794	Corolla Vista	SWT10183ZY	4	1st	79.0	1.2	2.7	BF TUC NIFF-S	SR CR SR	GN Fe GN	GN Fe GN	13011-22140
					2nd Oil	79.0	3.0	2.55					
3ZZ-FE	1,598	Corolla Avensis											
3ZZ-FE	1,598	Corolla Avensis	SDT10267ZZ (TCC-N-0571)	4	1st	79.0	1.2	2.7	BF TUC E-BC16	SR SR SR	GN Fe GN	GN Fe GN	13011-22240
					2nd Oil	79.0	2.0	2.75					

Engine Type	Exhaust quantity (c.c.)	Vehicle Model Chassis Type	NPR Catalog Code	Cyl No.	Position	Size (mm)			Shape	Material	Surface Treatment		Reference
						d 1 (D)	h 1 (B)	a 1 (T)			Outside	Upper / Lower	
T	1,407	Corolla 1400 Carina 1400 Sprinter	SWT10039ZZ	4	1st	80.0	2.0	3.8	BF	CR	Cr	Fe	13011-25010
					2nd	80.0	2.0	3.8	T1	CR	Fe	Fe	13011-25020
					Oil	80.0	4.0	3.8	NIFF-S	SR	Cr	Fe	13011-25032 13011-25041
4M-U	2,563	Mark II Grande	SXT10041ZZ	6	1st	80.0	2.0	3.8	BF	CR	Cr	Cr	13011-45021
					2nd	80.0	2.0	3.8	T1	CR	Fe	Fe	13011-45040
					Oil	80.0	4.0	3.85	NIFF-S	SR	Cr	Fe	
T-U	1,407	Corolla Sprinter	SXT10060ZZ	4	1st	80.0	1.5	3.8	BF	CR	Cr	Cr	13011-25042
					2nd	80.0	2.0	3.8	T1	CR	Fe	Fe	13011-25033
					Oil	80.0	4.0	3.8	NIFF-S	SR	Cr	Fe	
12R 12R-J	1,587	Corona Hi Lux Hi Ace Toyo Ace	SWT10042ZY	4	1st	80.5	2.0	3.9	BF	CR	Cr	Fe	13011-31050
					2nd	80.5	2.0	3.7	T1	CR	Fe	Fe	13011-31051
					Oil	80.5	4.0	3.75	NIFF-S	SR	Cr	Fe	13011-31060 13011-31061 13011-31070 13011-31090
1S-U	1,832	Carina Cerica Mark II Chaser Cresta	SWT10080ZZ	4	1st	80.5	1.5	3.25	BF	SR	Cr	Fe	13011-63010
					2nd	80.5	1.5	3.65	T1	CR	Fe	Fe	13011-63011
					Oil	80.5	4.0	3.25	NIFF-S	SR	Cr	Fe	13011-63020 13011-63030 13011-63031
5K 5K-U 5K-J	1,496	Corona Van Corolla Van Carina Van Lite Ace Van Town Ace Van	SWT10099ZZ	4	1st	80.5	1.5	3.1	BF	SR	GN	GN	13011-13040
					2nd	80.5	1.5	3.65	T1	CR	Fe	Fe	13011-13050
					Oil	80.5	4.0	3.25	NIFF-S	SR	GN	GN	13011-13090
7K-E	1,781	Lite Ace Van Town Ace Van Town Ace Lite Ace Truck	SWT10169ZY	4	1st	80.5	1.5	3.1	BF	SR	GN	GN	13011-13100
					2nd	80.5	1.5	3.6	TUC	CR	Cr	Fe	13011-13110
					Oil	80.5	4.0	2.55	NIFF-S	SR	GN	GN	13011-13120
1ZR-FE	1,598	Corolla Premio	SWT10232ZZ	4	1st	80.5	1.0	2.9	BF-IB	SR	GN	GN	13011-37160
					2nd	80.5	1.0	2.5	TUC	SR	Fe	Fe	13011-37140
2ZR-FE	1,797	Ist Noah Voxy	SWT10232ZZ	4	Oil	80.5	1.5	1.95	NIFF-H	SR	Cr	Fe	13011-37090 13011-37130
3ZR-FE	1,986	RAV4 Corolla Lexus NX C-HR Avensis Voxy Noah	SDT10257ZZ	4	1st	80.5	1.2	2.9	BF-IB	SR	GN	GN	13011-37210
					2nd	80.5	1.0	2.5	TUC	SR	Fe	Fe	
					Oil	80.5	2.0	2.75	E-BC16	SR	GN	GN	
			SWT10269ZZ	4	1st	80.5	1.2	2.7	BF	SR	GN	GN	13011-37330
					2nd	80.5	1.0	2.5	TUC	SR	Fe	Fe	
					Oil	80.5	2.0	2.2	NIFF-H	SR	GN	GN	

Engine Type	Exhaust quantity (c.c.)	Vehicle Model Chassis Type	NPR Catalog Code	Cyl No.	Position	Size (mm)			Shape	Material	Surface Treatment		Reference	
						d 1 (D)	h 1 (B)	a 1 (T)			Outside	Upper/Lower		
2ZR-FE	1,797	Corolla AXIO Corolla Fielder Auris Allion Premio Yaris Matrix Scion XD	SDT10268ZZ (TCC-M-0182)	4	1st	80.5	1.0	2.9	BF-IB	SR	GN	GN	13011-0T060	
					2nd	80.5	1.0	2.5	TUC	SR	Fe	Fe		
					Oil	80.5	2.0	2.75	E-BC16	SR	GN	GN		
4A-L 4A-LC 4A-GEU	1,587	Corolla Sprinter Trueno Corolla Levin Corona GT Carina GT	SWT10108ZZ	4	1st	81.0	1.5	3.1	BF	SR	Cr	Fe	13011-16010	
					2nd	81.0	1.5	3.5	TUC	CR	Fe	Fe	13011-16011	
					Oil	81.0	2.8	2.8	NIFF-S	SR	Cr	Fe	13011-16031	
														13011-16032
														13011-16030
4A-F 4A-FE	1,587	Corolla Sprinter Carina Corona Premio	SWT10142ZZ	4	1st	81.0	1.5	2.7	BF	SR	GN	GN	13011-16140	
					2nd	81.0	1.5	3.4	T1	CR	Fe	Fe	13011-16150	
					Oil	81.0	3.0	2.85	NIFF-S	SR	GN	GN	13011-16120	
4A-GZELU	1,587	Corolla Levin Sprinter Trueno	SWT10145ZZ	4	1st	81.0	1.5	3.1	BF	SR	GN	GN	13011-16050	
					2nd	81.0	1.5	3.4	TUC	CR	Cr	Fe	13011-16090	
					Oil	81.0	2.8	2.8	NIFF-S	SR	Cr	Fe	13011-16180	
4A-GEU	1,587	Corolla Levin Sprinter Trueno Carina GT	SWT10101ZZ	4	1st	81.0	1.5	3.1	BF	SR	Cr	Fe	13011-16050	
					2nd	81.0	1.5	3.5	TUC	CR	Fe	Fe	13011-16070	
					Oil	81.0	2.8	2.8	NIFF-S	SR	Cr	Fe	13011-16090	
			SWT10150ZZ	4	1st	81.0	1.2	2.9	BF	SR	GN	GN	13011-16200	
					2nd	81.0	1.5	3.4	TUC	CR	Cr	Fe		
Oil	81.0	2.8	2.8	NIFF-S	SR	GN	GN							
4A-FE	1,587	Corolla Carina	SWT10156ZZ	4	1st	81.0	1.2	2.9	BF	SR	GN	GN	13011-16280	
					2nd	81.0	1.5	3.4	T1	CR	Fe	Fe	13011-16290	
7A-FE	1,762	Premio Sprinter Caldina			Oil	81.0	3.0	2.85	NIFF-S	SR	GN	GN	13011-16300	
													13011-16320	
2ZZ-FE 2ZZ-GE	1,796	Corolla Allex	SWT10196ZZ	4	1st	82.0	1.2	2.85	BF	SR	Cr	Fe	13011-88601	
					2nd	82.0	1.2	3.05	TUC	CR	Fe	Fe		
					Oil	82.0	3.0	3.2	NIFF-S	SR	Cr	Fe		
4S	1,838	Caldina Camry Vista	SWT10123ZZ	4	1st	82.5	1.5	3.05	BF	SR	Cr	Fe	13011-74110-1	
					2nd	82.5	1.5	3.8	T1	CR	Fe	Fe	13011-74120-1	
					Oil	82.5	4.0	2.9	NIFF-S	SR	Cr	Fe	13011-74121-1	
5M 5M-E 5M-EU	2,759	Celica XX Crown	SWT10072ZX	6	1st	83.0	2.0	3.05	BF	SR	Cr	Fe	13011-43010	
					2nd	83.0	2.0	3.8	T1	CR	Fe	Fe	13011-43030	
					Oil	83.0	4.0	3.25	NIFF-S	SR	Cr	Fe		
5M-GE 5M-EU	2,759	Crown Soarer 2800GT Celica XX	SWT10079ZZ	6	1st	83.0	1.5	3.1	BF	SR	GN	GN	13011-43050	
					2nd	83.0	1.5	3.8	T1	CR	Fe	Fe	13011-43080	
					Oil	83.0	4.0	2.9	NIFF-S	SR	Cr	Fe		

Engine Type	Exhaust quantity (c.c.)	Vehicle Model Chassis Type	NPR Catalog Code	Cyl No.	Position	Size (mm)			Shape	Material	Surface Treatment		Reference
						d 1 (D)	h 1 (B)	a 1 (T)			Outside	Upper / Lower	
7M-GE 7M-GTE	2,954	Soarer Crown	SWT10115ZY	6	1st	83.0	1.5	3.1	BF	SR	GN	GN	13011-42010
					2nd	83.0	1.5	3.7	TUC	HB	Cr	Fe	13011-42011
					Oil	83.0	4.0	2.85	NIFF-S	SR	GN	GN	
4GR-E30	2,499	Crown Mark X Lexus IS250	SDT10225ZZ	V6	1st	83.0	1.2	2.7	BF	SR	GN	GN	13011-31220
					2nd	83.0	1.2	2.7	BI-TUC	SR	Cr	Fe	13011-31260
					Oil	83.0	2.0	2.75	E-BC16	SR	GN	GN	13011-31270
2S-ELU	1,995	Vista Camry	SWT10088ZZ	4	1st	84.0	1.5	3.45	BF	SR	Cr	Fe	13011-74010
					2nd	84.0	1.5	3.8	T1	CR	Fe	Fe	13011-74020
					Oil	84.0	4.0	3.3	NIFF-S	SR	Cr	Fe	13011-74040
21R	1,972	Corona 2000	SXT10067ZZ	4	1st	84.0	2.0	4.0	BF	CR	Cr	Cr	13011-37010
					2nd	84.0	2.0	4.0	T1	CR	Cr	Fe	
					Oil	84.0	4.0	3.25	NIFF-S	SR	Cr	Fe	
		Celica Liftback Chaser Mark II	SWT10076ZZ	4	1st	84.0	1.5	3.45	BF	SR	Cr	Fe	13011-37030
					2nd	84.0	2.0	4.0	T1	CR	Cr	Fe	13011-37050
					Oil	84.0	4.0	3.25	NIFF-S	SR	Cr	Fe	13011-37060
21R 21R-C	1,972	Cressida Mark II	SWT10102ZZ	4	1st	84.0	1.5	3.1	BF	SR	GN	GN	13011-37070
					2nd	84.0	1.5	3.8	T1	CR	Cr	Fe	13011-37071
					Oil	84.0	4.0	3.05	NIFF-S	SR	GN	GN	
2T 2T-C 12T	1,588	Corona 1600 Celica Corolla 1600ST	SWT10040ZZ	4	1st	85.0	2.0	4.0	BF	CR	Cr	Fe	13011-26020
					2nd	85.0	2.0	4.0	T1	CR	Fe	Fe	13011-26041
					Oil	85.0	4.0	3.25	NIFF-S	SR	Cr	Fe	13011-26040 13011-27020
2T	1,588	Corona 1600 Corona 1800	SWT10059ZZ	4	1st	85.0	1.5	3.25	BF	SR	Cr	Fe	13011-28010
					2nd	85.0	1.5	3.8	T1	CR	Fe	Fe	13011-28011
3T	1,770	Camry Celica			Oil	85.0	4.0	3.25	NIFF-S	SR	Cr	Fe	13011-28020 13011-28030 13011-28071
6R	1,707	Corona RT61 · 71 · 77 RT84 · 94 RX10 · 20 · 26 RX16V RT88V	SWT10019ZZ	4	1st	86.0	2.0	3.9	T1	CR	Cr	Fe	13011-31010
					2nd	86.0	2.5	3.9	T1	CR	Cr	Fe	13011-33020
					Oil	86.0	4.0	3.25	NIFF-S	SR	Cr	Fe	13011-33021 13011-33022 13011-33030
7R	1,591	Corona RT60 · 70 · 76											
8R	1,858	Corona MARK II RT62K RT72K RT72S											

Engine Type	Exhaust quantity (c.c.)	Vehicle Model Chassis Type	NPR Catalog Code	Cyl No.	Position	Size (mm)			Shape	Material	Surface Treatment		Reference
						d 1 (D)	h 1 (B)	a 1 (T)			Outside	Upper/Lower	
1Y	1,626	Master Ace Hi Ace Wagon	SWT10090ZY	4	1st	86.0	1.5	3.45	BF	SR	Cr	Fe	13011-71010
					2nd	86.0	1.5	4.0	T1	CR	Cr	Fe	13011-71020
2Y	1,812	Town Ace Lite Ace	SWT10090ZY	4	Oil	86.0	4.0	3.25	NIFF-S	SR	Cr	Fe	13011-71030 13011-72020
3Y	1,998	Mark II Van Vista Camry	SWT10090ZY	4									13011-74070-A 13011-74072 13011-74091
3S-FE	1,998	Carina Corona	SWT10090ZY	4									13011-74280 13011-74080 13011-74081
1Y(NEW)	1,626	Lite Ace Town Ace	SWT10090ZZ	4	1st	86.0	1.5	3.3	BF	SR	GN	GN	13011-71033
					2nd	86.0	1.5	4.0	T1	CR	Cr	Fe	13011-71042
2Y(NEW)	1,812	Mark II Corona	SWT10090ZZ	4	Oil	86.0	4.0	3.05	NIFF-S	SR	GN	GN	13011-74130 13011-74131
3Y(NEW) 3S-F	1,998	Carina	SWT10090ZZ	4									
3S-F 3S-FE	1,998	Ipsum Vista Camry Corona	SWT10119ZZ	4	1st	86.0	1.5	3.25	BF	SR	Cr	Fe	13011-74070
					2nd	86.0	1.5	3.8	T1	CR	Fe	Fe	13011-74072
					Oil	86.0	4.0	3.25	NIFF-S	SR	Cr	Fe	13011-74080 13011-74081 13011-74091
1AZ-FE 1AZ-FSE	1,998	RAV 4 Corolla Runx Premio Allion Caldina	SWT10186ZZ	4	1st	86.0	1.2	2.7	BF	SR	GN	GN	13011-28120
					2nd	86.0	1.2	3.1	TUC	CR	Fe	Fe	
		Wish Avencis Noah	SWT10176ZY	4	Oil	86.0	2.0	2.5	NIFF-H	SR	GN	GN	
					1st	86.0	1.2	2.9	BF	SR	GN	GN	13011-28130
					2nd	86.0	1.2	2.9	TUC	SR	GN	GN	
					Oil	86.0	3.0	2.75	NIFF-S	SR	GN	GN	
1TR-FE 1AZ-FSE(D4)	1,998	Hi Ace Van Toyo Ace Hi Ace Dyna	SDT10185ZZ	4	1st	86.0	1.2	2.7	BF	SR	GN	GN	13011-75100
					2nd	86.0	1.2	3.1	TUC	CR	Fe	Fe	13011-28200
					Oil	86.0	2.0	2.75	E-BC16	SR	GN	GN	
1RZ-FE	1,998	Hi Ace	SWT10125ZZ	4	1st	86.0	1.75	3.3	BF	SR	GN	GN	13011-75020
					2nd	86.0	1.5	3.05	TUC	SR	Cr	Fe	13011-75080
					Oil	86.0	4.0	2.8	NIFF-S	SR	GN	GN	
1JZ-GE	2,491	Crown Aristo Supra Soarer	SWT10134ZZ	6	1st	86.0	1.5	3.3	BF	SR	GN	GN	13011-46040
					2nd	86.0	1.5	3.8	TUC	CR	Cr	Fe	13011-46041
					Oil	86.0	4.0	2.9	NIFF-S	SR	GN	GN	13011-46050
2JZ-GE 2JZ-GTE	2,997	Lexus GS300 Mark II Chaser Cresta	SWT10134ZZ	6									

Engine Type	Exhaust quantity (c.c.)	Vehicle Model Chassis Type	NPR Catalog Code	Cyl No.	Position	Size (mm)			Shape	Material	Surface Treatment		Reference
						d 1 (D)	h 1 (B)	a 1 (T)			Outside	Upper / Lower	
1JZ-GE	2,491	Chaser Tourers	SWT10216ZZ	6	1st	86.0	1.5	3.25	BF	SR	Cr	Fe	13011-46030
					2nd	86.0	1.5	3.6	T1	CR	Fe	Fe	
					Oil	86.0	4.0	2.8	NIFF-S	SR	GN	GN	
1JZ-GTE	2,491		SWT10249ZZ	6	1st	86.0	1.2	3.1	BF	SR	GN	GN	13011-88410
					2nd	86.0	1.5	3.6	T1	CR	Fe	Fe	
					Oil	86.0	4.0	2.8	NIFF-S	SR	GN	GN	
3S-GTE 3S-GE	1,998	Celica 2000GT Caldina MR2 Camry Vista	SWT10141ZZ	4	1st	86.0	1.2	3.3	BF	SR	Cr	Fe	13011-88363 13011-88380
					2nd	86.0	1.5	3.6	TUC	CR	Fe	Fe	
					Oil	86.0	4.0	3.25	NIFF-S	SR	Cr	Fe	
3S-GTE	1,998	Caldina Turbo Celica Turbo MR2 Turbo	SWT10255ZZ	4	1st	86.0	1.2	3.3	BF-IB	SR	GN	GN	13011-88480
					2nd	86.0	1.5	3.6	TUC	CR	Fe	Fe	
					Oil	86.0	4.0	2.8	NIFF-S	SR	GN	GN	
3S-FE	1,998	Camry Vista Corona Caldina Ipsium	SWT10162ZY	4	1st	86.0	1.2	2.9	BF	SR	Cr	Fe	13011-74340
					2nd	86.0	1.2	3.4	TUC	CR	Fe	Fe	
					Oil	86.0	3.0	2.85	NIFF-S	SR	Cr	Fe	
3S-FSE	1,998	Vista Nadia	TCC-Q-0744	4	1st	86.0	1.2	2.9	BF	SR	GN	GN	13011-74400
					2nd	86.0	1.2	3.4	T1	CR	Cr	Fe	
					Oil	86.0	2.0	2.75	E-BC16	SR	GN	GN	
2JZ-D4	2,997	Crown Mark II Chaser Cresta Lexus GS300	SDT10215ZZ	6	1st	86.0	1.2	2.7	BF	SR	GN	GN	13011-46060 13011-46061
					2nd	86.0	1.2	3.4	T1	CR	Cr	Fe	
					Oil	86.0	2.0	2.75	E-BC16	SR	GN	GN	
4U-GSE	1,998	86 FR-S(SCION) FT-86	SWT10261ZZ (TCC-J-0071)	4	1st	86.0	1.2	2.7	BF	SR	GN	GN	SU003-00145 12033-AC300
					2nd	86.0	1.0	2.7	TUC	SR	Fe	Fe	
					Oil	86.0	2.0	2.45	NIFF-H	SR	PC	W	
5S-FE 5S-FNE	2,163	Scepter Camry Harrier Mark II	SWT10133ZZ	4	1st	87.0	1.5	3.5	BF	SR	Cr	Fe	13011-74261 13011-74290 13011-74260 13011-74300
					2nd	87.0	1.5	3.6	T1	CR	Cr	Fe	
					Oil	87.0	4.0	3.05	NIFF-S	SR	GN	GN	
			SWT10149ZZ	4	1st	87.0	1.5	3.5	BF	SR	Cr	Fe	13011-74150
					2nd	87.0	1.5	3.6	T1	CR	Cr	Fe	
					Oil	87.0	3.0	2.85	NIFF-S	SR	Cr	Fe	
			SWT10166ZZ	4	1st	87.0	1.2	2.9	BF	SR	Cr	Fe	13011-74380 13011-74370 13011-74410
					2nd	87.0	1.2	3.4	TUC	CR	Fe	Fe	
					Oil	87.0	3.0	2.75	NIFF-S	SR	GN	GN	

Engine Type	Exhaust quantity (c.c.)	Vehicle Model Chassis Type	NPR Catalog Code	Cyl No.	Position	Size (mm)			Shape	Material	Surface Treatment		Reference
						d 1 (D)	h 1 (B)	a 1 (T)			Outside	Upper/Lower	
3VZ-E 3VZ-FE	2,958	Camry Hi Lux Windom Cepter Lexus ES300	SWT10144ZZ	V6	1st	87.5	1.5	3.3	BF	SR	GN	GN	13011-62060
					2nd	87.5	1.5	3.8	T1	CR	Fe	Fe	13011-65021
					Oil	87.5	4.0	2.85	NIFF-S	SR	GN	GN	
		SWT10148ZZ	V6	1st	87.5	1.5	3.3	BF	SR	GN	GN	13011-62040	
				2nd	87.5	1.5	3.8	T1	CR	Fe	Fe		
				Oil	87.5	3.0	2.9	NIFF-S	SR	Cr	Fe		
1MZ-FE 2MZ-FE	2,995 2,496	Camry Lexus ES300 Windom Harrier Mark II	SWT10177ZY	V6	1st	87.5	1.2	2.85	BF	SR	Cr	Fe	13011-20020
					2nd	87.5	1.2	3.4	TUC	CR	Fe	Fe	13011-20010
					Oil	87.5	3.0	2.55	NIFF-S	SR	GN	GN	13011-20012
													13011-20050
1UZ-FE	3,969	Crown Celsior Majesta Soarer Lexus	SWT10147ZZ	V8	1st	87.5	1.5	3.1	BF	SR	GN	GN	13011-50040
					2nd	87.5	1.5	3.7	TUC	CR	Fe	Fe	
					Oil	87.5	3.0	2.85	NIFF-S	SR	GN	GN	
3GR-D4 3GR-FE 3GR-FSE	2,994	Mark X Crown GS300	SDT10254ZZ	V6	1st	87.5	1.2	2.7	BF-IB	SR	GN	GN	13011-31170
					2nd	87.5	1.2	2.7	TUC	SR	Fe	Fe	13011-31171
					Oil	87.5	2.0	2.75	E-BC16	SR	GN	GN	
5R 5R-U	1,994	Crown RS50 RS50B Dyna RK171 RK171V-B RK176-H RK176V-HB Stout RK101 RK101-K Toyo Ace	SWT10069ZY	4	1st	88.0	2.0	4.2	BF	CR	Cr	Fe	13011-44010
					2nd	88.0	2.5	4.2	T1	CR	Fe	Fe	13011-44011
					Oil	88.0	4.0	3.3	NIFF-S	SR	Cr	Fe	13011-44030
													13011-44031
													13011-44032
													13011-44040
													13011-44041
													13011-44042
													13011-44043
													13011-44060
													13011-44061
								13011-44062					
								13011-44063					
								13011-44073					
16R 16R-B 16R-U	1,808	Corona Carina Corona Van Celica Mark II	SWT10043ZZ	4	1st	88.5	2.0	4.2	BF	CR	Cr	Fe	13011-34012
					2nd	88.5	2.5	4.2	T1	CR	Cr	Fe	13011-34013
					Oil	88.5	4.0	3.85	NIFF-S	SR	Cr	Fe	13011-34020
													13011-34021
18R 18R-B 18R-U	1,968	Stout										13011-34022	
												13011-34023	
												13011-34030	
19R	1,968											13011-34050	
												13011-38010	
20R	2,189											13011-38020	

Engine Type	Exhaust quantity (c.c.)	Vehicle Model Chassis Type	NPR Catalog Code	Cyl No.	Position	Size (mm)			Shape	Material	Surface Treatment		Reference
						d 1 (D)	h 1 (B)	a 1 (T)			Outside	Upper / Lower	
20R	2,189	Coaster	SJT10063ZZ	4	1st	88.5	2.0	4.2	BF	CR	Cr	Cr	13011-38030
					2nd	88.5	2.5	4.2	TUC	CR	Cr	Fe	
					Oil 1	88.5	4.0	4.1	E-BC3	CR	Cr	Fe	
					Oil 2	88.5	4.0	4.0	BC3	CR	Cr	Fe	
2AZ-FE 2AZ-FSE	2,362	Harrier Kluger Camry Ipsium Estima RAV 4	SDT10172ZZ	4	1st	88.5	1.2	2.7	BF	SR	Cr	Fe	13011-28100
					2nd	88.5	1.2	3.1	TUC	CR	Fe	Fe	13011-28141
					Oil	88.5	2.0	2.75	E-BC16	SR	GN	GN	13011-28180
			SWT10182ZZ	4	1st	88.5	1.2	2.7	BF	SR	Cr	Fe	13011-28101
					2nd	88.5	1.2	3.2	TUC	CR	Fe	Fe	13011-28102
					Oil	88.5	2.0	2.45	NIFF-H	SR	GN	GN	
2AZ-FE 2AZ-FSE	2,362	RAV4 Mark X Vellfire	SDT10200ZZ	4	1st	88.5	1.0	2.7	BF	SR	GN	GN	13011-28160
					2nd	88.5	1.0	2.7	TUC	SR	Fe	Fe	13011-28161
					Oil	88.5	2.0	2.75	E-BC16	SR	GN	GN	13011-28190
													13011-0H040 13011-0H041 13011-28240
1AR-FE	2,671	Lexus RX270	SDT10226ZZ	4	1st	90.0	1.0	2.9	BF-IB	SR	GN	GN	13011-36020
					2nd	90.0	1.0	2.7	TUC	SR	Fe	Fe	13011-36020-A
2AR-FE 2AR-FSE	2,493	Lexus ES Lexus IS Camry Crown Hybrid			Oil	90.0	2.0	2.75	E-BC16	SR	GN	GN	13011-36030 13011-36050 13011-36060 13011-36070
F	3,878	Truck FA80 FA80D FA90 FA90D Land Cruiser FJ40 FJ43 FJ45V 2FQ10 Bus FB80 FB100	SWT10026ZZ	6	1st	90.0	3.0	3.7	T1	CR	Cr	Fe	13011-69021
					2nd	90.0	3.0	3.7	T1	CR	Fe	Fe	13011-60011
					Oil 1	90.0	4.0	3.9	NIFF-S	SR	Cr	Fe	
					Oil 2	90.0	4.0	3.7	C1	CR	Fe	Fe	
F(NEW)	3,878	Truck Bus Land Cruiser	SWT10044ZZ	6	1st	90.0	2.0	4.0	T1	CR	Cr	Fe	13011-60040
					2nd	90.0	2.5	4.0	T1	CR	Fe	Fe	
					Oil 1	90.0	4.0	3.9	NIFF-S	SR	Cr	Fe	
					Oil 2	90.0	4.0	4.0	BC3	CR	Fe	Fe	
4Y 4Y-E	2,237	Crown Hi Ace Fork Lift	SWT10111ZZ	4	1st	91.0	1.5	3.25	BF-IB	SR	Cr	Fe	13011-73020
					2nd	91.0	1.5	3.95	TUC	CR	Cr	Fe	13011-73030
					Oil	91.0	4.0	3.1	NIFF-S	SR	Cr	Fe	13011-73040 13011-73042

Engine Type	Exhaust quantity (c.c.)	Vehicle Model Chassis Type	NPR Catalog Code	Cyl No.	Position	Size (mm)			Shape	Material	Surface Treatment		Reference
						d 1 (D)	h 1 (B)	a 1 (T)			Outside	Upper/Lower	
22R 22R-E 22R-EC	2,366	Coaster Celica Corona Hi Lux Hi Ace Land Cruiser	SWT10077ZX	4	1st	92.0	2.0	3.45	BF	SR	Cr	Fe	13011-35010
					2nd	92.0	2.5	4.2	T1	CR	Fe	Fe	13011-35020
					Oil	92.0	4.0	3.25	NIFF-S	SR	Cr	Fe	13011-35030
			SWT10103ZZ	4	1st	92.0	1.5	3.3	BF	SR	Cr	Fe	13011-35040
					2nd	92.0	1.5	4.0	T1	CR	Cr	Fe	13011-35050
					Oil	92.0	4.0	3.25	NIFF-S	SR	GN	GN	13011-35060 13011-35061 13011-35070
3MZ-FE	3,310	Harrier Hybrid Kluger Hybrid Lexus ES330,RX330	SWT10228ZZ	V6	1st	92.0	1.2	2.85	BF	SR	Cr	Fe	13011-0A030
					2nd	92.0	1.2	3.8	TUC	CR	Fe	Fe	
					Oil	92.0	3.0	2.55	NIFF-S	SR	GN	GN	
			SDT10247ZZ	V6	1st	92.0	1.2	3.1	BF-IB	SR	GN	GN	13011-20061
					2nd	92.0	1.2	3.8	TUC	CR	Fe	Fe	
					Oil	92.0	3.0	2.9	E-BC16	SR	GN	GN	
5P	2,771	Fork Lift	SWT10048ZZ	4	1st	93.0	2.5	3.8	BF	CR	Cr	Fe	13011-96102
					2nd	93.0	2.5	3.8	T1	CR	Fe	Fe	
					Oil	93.0	4.0	3.9	NIFF-S	SR	Cr	Fe	
5VZ-FE	3,378	Land Cruiser Hi Lux Surf Hi Ace Granvia	SWT10178ZZ	V6	1st	93.5	1.5	3.3	BF	SR	GN	GN	13011-62100
					2nd	93.5	1.5	4.0	T1	CR	Fe	Fe	13011-62110
					Oil	93.5	4.0	2.85	NIFF-S	SR	GN	GN	13011-62020
2F	4,230	Truck FJ55 FJ101 FC22D Land Cruiser	SWT10049ZZ	6	1st	94.0	2.0	4.2	BF	CR	Cr	Fe	13011-61010
					2nd	94.0	2.5	4.2	T1	CR	Cr	Fe	
					Oil	94.0	4.0	3.85	NIFF-S	SR	Cr	Fe	
3F 3F-E	3,955	Land Cruiser	SWT10106ZY	6	1st	94.0	1.5	3.5	BF	SR	GN	GN	13011-61060
					2nd	94.0	1.5	4.0	T1	CR	Fe	Fe	
					Oil	94.0	4.0	3.3	NIFF-S	SR	Cr	Fe	
3F(NEW)	3,955	Land Cruiser	SWT10151ZZ	6	1st	94.0	2.0	3.3	BF	SR	GN	GN	13011-61062
					2nd	94.0	2.0	4.0	T1	CR	Cr	Fe	
					Oil	94.0	4.0	3.25	NIFF-S	SR	GN	GN	
1GR-FE	3,955	Hi Lux Surf 4 Runner Prado	SWT10195ZZ	V6	1st	94.0	1.2	3.25	BF	SR	Cr	Fe	13011-31100
					2nd	94.0	1.2	3.4	TUC	CR	Fe	Fe	13011-31210
					Oil	94.0	2.0	2.8	NIFF-H	SR	GN	GN	13011-0P020
2GR-FE 2GR-FSE	3,459	Harrier Camry Avalon Lexus Estima RAV 4	SDT10194ZY	V6	1st	94.0	1.2	2.9	BF-IB	SR	GN	GN	13011-31140
					2nd	94.0	1.2	2.9	TUC	SR	Fe	Fe	13011-31141
					Oil	94.0	2.0	2.75	E-BC16	SR	GN	GN	13011-0P040
													13011-31130
													13011-31160

Engine Type	Exhaust quantity (c.c.)	Vehicle Model Chassis Type	NPR Catalog Code	Cyl No.	Position	Size (mm)			Shape	Material	Surface Treatment		Reference	
						d 1 (D)	h 1 (B)	a 1 (T)			Outside	Upper / Lower		
2UZ-FE	4,663	Land Cruiser Lexus LX470 Lexus GX470	SWT10203ZZ	V8	1st	94.0	1.5	3.3	BF	SR	GN	GN	13011-50140	
					2nd	94.0	1.5	4.0	T1	CR	Fe	Fe	13011-50141	
					Oil	94.0	4.0	2.55	NIFF-S	SR	GN	GN		
		Hi Lux Surf 4 Runner Sequoia Tundra	SWT10240ZZ	V8	1st	94.0	1.2	2.9	BF-IB	SR	GN	GN	13011-50162	
					2nd	94.0	1.2	3.9	TUC-RB	CR	Fe	Fe	13011-0F022	
					Oil	94.0	3.0	2.55	NIFF-S	SR	GN	GN	13011-0F010	
1UR-FSE 1UR-FFV	4,608	Land Cruiser Lexus GS460 Crown Majesta	SDT10204ZZ	V8	1st	94.0	1.2	2.9	BF-IB	SR	GN	GN	13011-38080	
					2nd	94.0	1.2	2.9	TUC	SR	Fe	Fe	13011-38081	
					Oil	94.0	2.0	2.75	E-BC16	SR	GN	GN	13011-38090 13011-38110	
2UR-FSE	4,968													
1UR-FE	4,608	Lexus LS460 Land Cruiser	SWT10236ZZ	V8	1st	94.0	1.2	2.9	BF-IB	SR	GN	GN	13011-0S011	
					2nd	94.0	1.2	3.4	TUC	CR	Fe	Fe		
					Oil	94.0	2.0	2.8	NIFF-H	SR	GN	GN		
3UR-FE	5,663	Lexus IS-F Lexus RCF												
2GR-FKS	3,456	Lexus GS350 Hi Ace Granvia Land Cruiser Avalon Camry Highlander Sienna Tacoma	SWT10233ZZ (TCC-M-0179)	V6	1st	94.0	1.2	2.9	BF-IB	SR	GN	GN	13011-0P051	
					2nd	94.0	1.2	2.9	TUC	SR	Cr	Fe		
					Oil	94.0	2.0	2.7	NIFF-H	SR	GN	GN		
2TZ-FE 2TZ-FZE	2,438	Estima	SWT10127ZZ	4	1st	95.0	1.75	3.65	BF	SR	Cr	Fe	13011-76010	
					2nd	95.0	1.5	3.8	T1	CR	Fe	Fe	13011-76050	
					Oil	95.0	4.0	3.25	NIFF-S	SR	GN	GN		
3RZ-FE	2,693	Hi Lux Surf Land Cruiser Prado Toyo Ace	SWT10139ZZ	4	1st	95.0	1.5	3.5	BF	SR	GN	GN	13011-75040-A	
					2nd	95.0	1.5	3.45	TUC	SR	Cr	Fe		
					Oil	95.0	4.0	3.05	NIFF-S	SR	GN	GN		
2RZ	2,438	Granvia Hi Ace wagon	SWT10245ZZ	4	1st	95.0	1.75	3.3	BF	SR	GN	GN	13011-75060	
3RZ-FE	2,693				2nd	95.0	1.5	3.45	TUC	SR	Cr	Fe	13011-75030	
					Oil	95.0	4.0	3.05	NIFF-S	SR	GN	GN		
2TR-FE	2,693	Hi Lux Surf Land Cruiser Hi Ace Prado	SDT10193ZY	4	1st	95.0	1.2	2.9	BF	SR	GN	GN	13011-75130	
					2nd	95.0	1.2	3.4	TUC	CR	Fe	Fe	13011-75110	
					Oil	95.0	2.0	2.75	E-BC16	SR	GN	GN		
2TR-FFV	2,693	Hi Ace Wagon Land Cruiser Prado	SDT10213ZZ	4	1st	95.0	1.2	2.9	BF	SR	GN	GN	13011-75150	
					2nd	95.0	1.2	2.9	TUC	SR	Cr	Fe		
					Oil	95.0	2.0	2.75	E-BC16	SR	GN	GN		
1FZ-FE	4,477	Land Cruiser 70 80	SWT10168ZZ	6	1st	100.0	2.0	3.5	BF	SR	GN	GN	13011-66020	
					2nd	100.0	2.0	3.8	TUC	CR	Cr	Fe		
					Oil	100.0	4.0	3.3	NIFF-S	SR	GN	GN		
		Land Cruiser FZJ80G	SWT10184ZZ	6	1st	100.0	1.75	3.7	BF-IB	SR	GN	GN	13011-66021	
					2nd	100.0	2.0	3.8	TUC	CR	Cr	Fe		
					Oil	100.0	4.0	3.3	NIFF-S	SR	GN	GN		

● Diesel-engine Automobiles ● ディーゼル車 ●

Engine Type	Exhaust quantity (c.c.)	Vehicle Model Chassis Type	NPR Catalog Code	Cyl No.	Position	Size (mm)			Shape	Material	Surface Treatment		Reference
						d 1 (D)	h 1 (B)	a 1 (T)			Outside	Upper/Lower	
1ND-TV	1,362	Corolla iQ Probox Yaris	SDT1020ZZ	4	1st	73.0	1.5	2.5	BF	SR	GN	GN	13011-33041
					2nd	73.0	1.5	2.45	T1	SR	Cr	Fe	
					Oil	73.0	3.0	3.25	E-BC16	SR	GN	GN	
1ND-TV 2WZ-TV			SDT1026ZZ (TCC-L-0059)	4	1st	73.0	1.5	2.5	BF	SR	GN	GN	13011-33052
					2nd	73.0	1.2	2.8	T1	CR	Fe	Fe	
					Oil	73.0	2.0	2.75	E-BC16	SR	GN	GN	
1N-T	1,453	Corolla II Tercel Corsa	SWT10117ZZ	4	1st	74.0	1.5	2.7	BF-K2	SR	GN	GN	13011-55010 13011-55011
					2nd	74.0	1.5	3.2	T1	CR	Cr	Fe	
					Oil	74.0	3.0	2.8	NIFF-S	SR	GN	GN	
1CD-FTV	1,995	Corolla Avencis	SDT10206ZZ	4	1st	82.2	2.0	3.05	BF	SR	Cr	Fe	13011-27030
					2nd	82.2	1.5	2.9	T1	HB	Cr	Fe	
					Oil	82.2	3.0	3.75	E-BC16	CR	Cr	Fe	
1CDA	1,995	Corolla Avencis	SDT10214ZZ	4	1st	82.2	2.0	2.85	BF	SR	Cr	Fe	13011-27040
					2nd	82.2	1.5	2.7	T1	HB	Fe	Fe	
					Oil	82.2	3.0	3.1	E-BC16	SR	GN	GN	
1C 1C-L	1,839	Corona Carina Corolla Sprinter	SDT10081ZX	4	1st	83.0	2.0	3.05	BF-K2	SR	Cr	Fe	13011-64010 13011-64020 13011-64040 13011-64070 13011-64080
					2nd	83.0	2.0	3.8	T1	CR	Cr	Fe	
					Oil	83.0	4.0	4.35	E-BC16	SR	GN	GN	
1C(NEW)	1,839	Corolla	SDT10110ZZ	4	1st	83.0	2.0	3.1	BF-K2	SR	GN	GN	13011-64220 13011-64130
					2nd	83.0	2.0	3.5	T1	CR	Cr	Fe	
					Oil	83.0	3.0	3.15	E-BC16	SR	GN	GN	
1DZ 3C-T	2,486 2,184	Estima Town Ace Camry Vista Fork Lift	SDT10159ZZ	4	1st	86.0	2.0	3.1	BF-K2	SR	GN	GN	13011-78201-71
					2nd	86.0	2.0	3.6	T1	CR	Cr	Fe	
					Oil	86.0	4.0	4.35	E-BC16	SR	GN	GN	
1DZ	2,486	Fork Lift	SDT10191ZZ	4	1st	86.0	2.0	3.05	BF-K2	SR	Cr	Fe	13011-78200-71
					2nd	86.0	2.0	3.6	T1-K3	CR	Cr	Fe	
					Oil	86.0	4.0	4.15	E-BC16	SR	GN	GN	
1DZ-II	2,486	Fork Lift	SDT10244ZZ	4	1st	86.0	2.0	3.1	BF-K2	SR	GN	GN	13011-UC010
					2nd	86.0	2.0	3.1	T1	SR	GN	GN	
					Oil	86.0	3.0	3.25	E-BC16	SR	GN	GN	

Engine Type	Exhaust quantity (c.c.)	Vehicle Model Chassis Type	NPR Catalog Code	Cyl No.	Position	Size (mm)			Shape	Material	Surface Treatment		Reference	
						d 1 (D)	h 1 (B)	a 1 (T)			Outside	Upper/Lower		
2C 2C-L	1,974	Town Ace Corona Corolla Carina	SDT10096ZX	4	1st	86.0	2.0	3.05	BF-K2	SR	Cr	Fe	13011-64060	
					2nd	86.0	2.0	3.6	T1	CR	Cr	Fe	13011-64110	
					Oil	86.0	4.0	4.35	E-BC16	SR	GN	GN	13011-64150	
		Caldina Master Ace Daihatsu Delta	SDT10152ZZ	4	1st	86.0	1.75	2.9	BF-K2	SR	GN	GN	13011-64170	
					2nd	86.0	2.0	3.6	T1	CR	Cr	Fe		
					Oil	86.0	3.0	3.05	E-BC16	SR	GN	GN		
			SDT10155ZZ	4	1st	86.0	2.0	3.1	BF-K2	SR	GN	GN	13011-64190	
					2nd	86.0	2.0	3.6	T1	CR	Cr	Fe	13011-64202	
					Oil	86.0	3.0	3.05	E-BC16	SR	GN	GN	13011-64210 13011-64212 13011-64213 13011-64230	
1VD-FTV	4,461	Land Cruiser	SDT10239ZZ	V8	1st	86.0	2.0	2.85	BF	SR	Cr	Fe	13011-51031	
					2nd	86.0	1.5	2.9	T1	SR	GN	GN		
					Oil	86.0	2.0	2.75	E-BC16	SR	GN	GN		
2AD-FHV 2AD-FTV	2,231	Avensis Lexus IS 200d RAV 4	SDT10258ZZ	4	1st	86.0	2.0	2.7	BF-IB	SR	GN	GN	13011-26090	
					2nd	86.0	1.5	3.0	T1	HB	Fe	Fe	13011-26100	
					Oil	86.0	2.0	2.75	E-BC16	SR	GN	GN	13011-26110	
2J	2,481	Dyna JK170DH JK175 JK171DH JK176 JK170B JK171B	SCT10024ZZ	4	1st	88.0	2.5	3.8	BF-K3	HB	Cr	Fe	13011-46021	
					2nd	88.0	2.5	3.8	T1	CR	Cr	Fe		
					3rd	88.0	2.5	3.8	TUC	CR	Fe	Fe		
					Oil 1	88.0	4.0	3.8	BC1	CR	Cr	Fe		
					Oil 2	88.0	4.0	3.8	BC1	CR	Fe	Fe		
		Dyna Coaster Fork Lift	SDT10045ZX	4	1st	88.0	2.54	3.8	BF-K3	HB	Cr	Fe	13011-48013	
					2nd	88.0	2.5	3.8	T1	CR	Cr	Fe	13011-48021	
					3rd	88.0	2.5	3.8	TUC	CR	Fe	Fe		
Oil	88.0	4.0	4.35	E-BC16	SR	GN	GN							
Dyna Toyo Ace JU10 JT16 JT30	SJT10050ZZ	4	1st	88.0	2.54	3.8	BF-K3	HB	Cr	Cr	13011-48022			
			2nd	88.0	2.5	3.8	T1	CR	Cr	Fe	13011-48023			
			Oil	88.0	4.0	4.2	E-BC3	CR	Cr	Fe	13011-48030			

Engine Type	Exhaust quantity (c.c.)	Vehicle Model Chassis Type	NPR Catalog Code	Cyl No.	Position	Size (mm)			Shape	Material	Surface Treatment		Reference
						d 1 (D)	h 1 (B)	a 1 (T)			Outside	Upper/Lower	
H	3,567	Dyna HV15	SCT10025ZZ	6	1st	88.0	2.5	3.8	BF-K3	HB	Cr	Fe	13011-47020
					2nd	88.0	2.5	3.8	T1	CR	Cr	Fe	
					3rd	88.0	2.5	3.8	TUC	CR	Fe	Fe	
					Oil 1	88.0	4.0	3.8	BC1	CR	Cr	Fe	
					Oil 2	88.0	4.0	3.8	BC1	CR	Fe	Fe	
	Dyna HU15	SDT10047ZZ	6	1st	88.0	2.54	3.8	BF-K3	HB	Cr	Fe	13011-47021	
				2nd	88.0	2.5	3.8	T1	CR	Cr	Fe		
				3rd	88.0	2.5	3.8	TUC	CR	Fe	Fe		
				Oil	88.0	4.0	4.2	E-BC3	CR	Cr	Fe		
Land Cruiser Dyna HU30 HU45	SDT10051ZZ	6	1st	88.0	2.54	3.8	BF-K3	HB	Cr	Fe	13011-47022		
			2nd	88.0	2.5	3.8	T1	CR	Fe	Fe	13011-47023		
			Oil	88.0	4.0	4.2	E-BC3	CR	Cr	Fe			
L	2,188	Crown Chaser Hi Lux (Truck) Hi Ace Blizzard (Jeep)	SDT10066ZZ	4	1st	90.0	2.5	3.8	BF	HB	Cr	Fe	13011-54010
					2nd	90.0	2.0	4.0	T1	CR	Cr	Fe	13011-54020
					Oil	90.0	4.0	4.2	E-BC3	CR	Cr	Fe	13011-54021
L(NEW)	2,188	Crown Corona Mark II Toyo Ace Hi Ace (Expo) Blizzard (Jeep) Hi Lux (Expo)	SDT10082ZX	4	1st	90.0	2.0	3.5	BF-K2	SR	GN	GN	13011-54030
					2nd	90.0	2.0	4.0	T1	CR	Cr	Fe	13011-54031
					Oil	90.0	4.0	4.35	E-BC16	SR	GN	GN	13011-54040 13011-54041 13011-54042 13011-54080
2H	3,980	Land Cruiser 3FD3 · 35 · 40 FDG Bus Coaster	SDT10075ZX	6	1st	91.0	2.54	4.0	BF-K3	HB	Cr	Fe	13011-68010
					2nd	91.0	2.5	4.0	T1	CR	Cr	Fe	13011-68020
					Oil	91.0	4.0	4.35	E-BC16	SR	GN	GN	13011-96601
	Fork Lift Coaster	SDT10107ZZ	6	1st	91.0	2.54	4.0	BF-K3	HB	Cr	Fe	13011-31960-71	
				2nd	91.0	2.5	4.0	T1	CR	Cr	Fe		
3rd	91.0	2.0	4.0	TUC	CR	Cr	Fe						
Oil	91.0	4.0	4.2	E-BC3	CR	Cr	Fe						
12H-T	3,980	Bus Coaster (Export) Land Cruiser	SDT10112ZZ	6	1st	91.0	2.5	3.5	BF-K3	SR	GN	GN	13011-68030
					2nd	91.0	2.5	4.0	T1	CR	Cr	Fe	
					Oil	91.0	4.0	4.2	E-BC3	CR	Cr	Fe	
2L-T 2L-TE	2,446	Crown Chaser Corona Mark II	SDT10089ZZ	4	1st	92.0	2.0	3.35	BF-K2	SR	GN	GN	13011-54050
					2nd	92.0	2.0	3.3	T1	SR	GN	GN	13011-54060
					Oil	92.0	4.0	4.35	E-BC16	SR	GN	GN	13011-54061 13011-54100
2KD	2,494	Hi Ace Hi Lux Fortuner Innova	SDT10180ZZ	4	1st	92.0	2.0	2.9	BF	SR	GN	GN	13011-30030
					2nd	92.0	1.5	2.9	T1	SR	GN	GN	13011-30031
					Oil	92.0	3.0	3.0	E-BC16	SR	GN	GN	13011-30060

Engine Type	Exhaust quantity (c.c.)	Vehicle Model Chassis Type	NPR Catalog Code	Cyl No.	Position	Size (mm)			Shape	Material	Surface Treatment		Reference
						d 1 (D)	h 1 (B)	a 1 (T)			Outside	Upper / Lower	
2KD-VNT 2KD-FTV	2,494	Hi Ace Fortuner	SDT10207ZZ	4	1st	92.0	2.0	2.9	BF-K2	SR	GN	GN	13011-30120
					2nd	92.0	1.5	2.9	T1	SR	GN	GN	13011-0L070
					Oil	92.0	3.0	3.0	E-BC16	SR	GN	GN	
1GD 2GD	2,754 2,393		SDT10234ZZ	4	1st	92.0	2.0	2.9	BF-K2	SR	GN	GN	13011-11200
					2nd	92.0	1.5	2.9	T1	SR	GN	GN	13011-11210
					Oil	92.0	3.0	3.0	E-BC16	SR	GN	GN	13011-11220 13011-0E010
1HZ	4,163	Land Cruiser Coaster	SDT10163ZZ	6	1st	94.0	2.0	3.5	BF-K2	SR	GN	GN	13011-17010
					2nd	94.0	2.0	4.0	T1	CR	Cr	Fe	13011-17011
					Oil	94.0	4.0	4.25	E-BC16	SR	GN	GN	13011-17020 13011-17030
1HD-FTE	4,163	Land Cruiser Coaster	SDT10210ZZ	6	1st	94.0	2.0	3.3	BF	SR	GN	GN	13011-17040
					2nd	94.0	1.5	3.1	TUC	SR	GN	GN	
					Oil	94.0	4.0	4.35	E-BC16	SR	GN	GN	
1PZ	3,469	Land Cruiser	SDT10190ZZ	5	1st	94.0	2.0	3.5	BF-K2	SR	GN	GN	13011-18030
					2nd	94.0	2.0	4.0	T1	CR	Cr	Fe	
					Oil	94.0	4.0	4.35	E-BC16	SR	GN	GN	
B	2,977	Toyo Ace Dyna Coaster Land Cruiser Hino Ranger	SDT10058ZZ	4	1st	95.0	2.5	4.1	BF-K3	HB	Cr	Fe	13011-56011
					2nd	95.0	2.5	4.3	T1	CR	Cr	Fe	
					3rd	95.0	2.5	4.3	TUC	CR	Fe	Fe	
					Oil	95.0	4.5	4.3	E-BC3	CR	Cr	Fe	
B(NEW)	2,977	Dyna Daihatsu Delta Hino Ranger	SJT10070ZZ	4	1st	95.0	2.54	4.1	BF-K3	HB	Cr	Cr	13011-56012
					2nd	95.0	2.5	4.3	T1	CR	Cr	Fe	13011-56013
					Oil	95.0	4.5	4.3	E-BC3	CR	Cr	Fe	13011-56021 13011-56022
B(OLD)	2,977	Dyna Coaster BU10・12 BU15・BU19	SJT10071ZZ	4	1st	95.0	2.5	4.3	BF	CR	Cr	Cr	13011-56010
					2nd	95.0	2.5	4.3	T1	CR	Cr	Fe	
					3rd	95.0	2.5	4.3	TUC	CR	Fe	Fe	
					Oil	95.0	4.5	4.3	E-BC3	CR	Cr	Fe	
11B B(NEW)	2,977	Dyna Toyo Ace	SDT10154ZZ	4	1st	95.0	2.5	3.5	BF-K2	SR	GN	GN	13011-56040
					2nd	95.0	2.0	4.3	T1	CR	Cr	Fe	
		Dyna Toyo Ace	SDT10157ZZ	4	1st	95.0	2.5	3.7	BF	SR	Cr	Fe	13011-56030
					2nd	95.0	2.5	4.3	T1	CR	Cr	Fe	
					Oil	95.0	4.5	4.3	E-BC3	CR	Cr	Fe	
3L	2,779	Toyo Ace Hi Lux Hi Ace Van Wagon	SDT10124ZY	4	1st	96.0	2.0	3.35	BF-K2	SR	GN	GN	13011-54120
					2nd	96.0	2.0	4.2	T1	CR	Cr	Fe	
					Oil	96.0	4.0	4.35	E-BC16	SR	GN	GN	

Engine Type	Exhaust quantity (c.c.)	Vehicle Model Chassis Type	NPR Catalog Code	Cyl No.	Position	Size (mm)			Shape	Material	Surface Treatment		Reference	
						d 1 (D)	h 1 (B)	a 1 (T)			Outside	Upper/Lower		
1KZ-TE	2,982	Land Cruiser	SDT10137ZY	4	1st	96.0	2.0	3.35	BF-K2	SR	GN	GN	13011-67030	
		Hi Lux Surf			2nd	96.0	2.0	3.65	TUC	SR	Cr	Fe		
		Hi Ace Wagon			Oil	96.0	3.0	3.25	E-BC16	SR	GN	GN		
		Land Cruiser												
1Z 12Z	2,953	Dyna	SDT10158ZZ	4	1st	96.0	2.0	3.5	BF	SR	GN	GN	13011-78300-71	
		2nd			96.0	2.0	4.4	T1	CR	Cr	Fe			
		Oil			96.0	4.0	3.95	E-BC3	CR	Cr	Fe			
1KD-FTV	2,982	Land Cruiser	SDT10175ZY	4	1st	96.0	2.0	3.35	BF-K2	SR	GN	GN	13011-30020	
		Hi Lux Surf			2nd	96.0	1.5	3.3	T1	SR	GN	GN	13011-30021	
		Hi Ace			Oil	96.0	3.0	3.0	E-BC16	SR	GN	GN	13011-30022	
													13011-30040	
													13011-30050	
													13011-30051	
2B	3,168	Coaster	SJT10084ZZ	4	1st	98.0	2.54	4.1	BF-K3	HB	Cr	Cr	13011-57010	
		Land Cruiser			2nd	98.0	2.5	4.3	T1	CR	Cr	Fe		
					Oil	98.0	4.5	4.4	E-BC3	CR	Cr	Fe		
2Z	3,469	Fork Lift	SDT10179ZZ	4	1st	98.0	2.0	3.5	BF	SR	GN	GN	13011-78700-71	
					2nd	98.0	2.0	4.3	T1	CR	Cr	Fe		
					Oil	98.0	4.0	4.35	E-BC16	SR	GN	GN		
2Z 2Z-B		Fork Lift	SDT10259ZZ (TCC-K-0096)	4	1st	98.0	2.0	3.5	BF	SR	GN	GN	13011-78701-71	
					2nd	98.0	2.0	3.5	T1	SR	GN	GN		13011-78702-71
					Oil	98.0	4.0	4.35	E-BC16	SR	GN	GN		13011-UD010
13Z	5,244	Forklift 7FDAU40	SDT10264ZZ	6	1st	98.0	2.0	3.5	BF	SR	GN	GN	13011-78760-71	
		Forklift 7FDK40			2nd	98.0	2.0	3.5	T1	SR	GN	GN		
		Forklift 7FDKU40			Oil	98.0	4.0	4.35	E-BC16	SR	GN	GN		
15Z	5,204	Fork Lift	SDT10260ZZ (TCC-K-0098)	6	1st	98.0	2.0	3.5	BF-K2	SR	GN	GN	13011-UE020	
		For Industrial Machine			2nd	98.0	2.0	3.5	T1	SR	GN	GN		
		Light Truck			Oil	98.0	4.0	4.35	E-BC16	SR	GN	GN		
5L 5L-E	2,985	Hi Ace Van	SDT10167ZZ	4	1st	99.5	2.0	3.6	BF-K2	SR	GN	GN	13011-54130	
		Hi Lux			2nd	99.5	1.5	3.7	TUC	SR	GN	GN		
		Hi Ace			Oil	99.5	4.0	4.35	E-BC16	SR	GN	GN		
		Land Cruiser												
3B	3,431	Dyna	SJT10087ZZ	4	1st	102.0	2.54	4.3	BF-K3	HB	Cr	Cr	13011-58010	
		Coaster			2nd	102.0	2.5	4.4	T1	CR	Cr	Fe	13011-58011	
		Toyo Ace			Oil	102.0	4.5	4.4	E-BC3	CR	Cr	Fe		
		Land Cruiser												
13B	3,431	Dyna	SDT10136ZX	4	1st	102.0	2.5	4.1	BF	SR	Cr	Fe	13011-58030	
		Toyo Ace			2nd	102.0	2.5	4.3	T1	CR	Cr	Fe		
					Oil	102.0	4.5	4.6	E-BC16	SR	GN	GN		
13B-T	3,431	Land Cruiser 70	SDT10217ZZ	4	1st	102.0	2.5	4.1	BF-K2	HB	Cr	Fe	13011-58040	
					2nd	102.0	2.5	4.3	T1	CR	Cr	Fe		
					Oil	102.0	4.5	4.6	E-BC16	CR	Cr	Fe		

Engine Type	Exhaust quantity (c.c.)	Vehicle Model Chassis Type	NPR Catalog Code	Cyl No.	Position	Size (mm)			Shape	Material	Surface Treatment		Reference	
						d 1 (D)	h 1 (B)	a 1 (T)			Outside	Upper/Lower		
14B	3,660	Dyna Toyo Ace Coaster	SDT10135ZZ	4	1st	102.0	2.5	3.7	BF-K2	SR	GN	GN	13011-58050	
					2nd	102.0	2.0	4.3	T1	CR	Cr	Fe	13011-58070	
					Oil	102.0	4.0	4.35	E-BC16	SR	GN	GN	13011-58072	
14B-T	3,660	Dyna Toyo Ace	SDT10248ZZ	4	1st	102.0	3.0	3.7	BF-K2	SR	GN	GN	13011-58060	
					2nd	102.0	2.0	4.3	T1	CR	Cr	Fe		
					Oil	102.0	4.0	4.35	E-BC16	SR	GN	GN		
N04C-A	4,009	Dyna Toyo Ace	SDT10198ZZ	4	1st	104.0	2.5	3.7	BF	SR	GN	GN	13011-78060	
					2nd	104.0	2.0	4.3	T1	CR	Fe	Fe	13011-58072	
					Oil	104.0	4.0	4.35	E-BC16	SR	GN	GN		
N04C W04DT	4,009	Dyna Toyo Ace	SDT10221ZZ	4	1st	104.0	2.806	3.7	BF-K1	SR	GN	GN	13011-78220	
					2nd	104.0	2.0	4.3	T1	CR	Fe	Fe	S1304-E0281	
					Oil	104.0	4.0	4.4	E-BC16	SR	GN	GN		
1W	4,009	Dyna Toyo Ace	SDT10209ZZ	4	1st	104.0	2.5	4.3	BF	HB	Cr	Cr	13011-78010	
					2nd	104.0	2.0	4.3	T1-IC	CR	Fe	Fe	S1304-E0251	
					Oil	104.0	5.0	4.7	E-BC3	CR	Cr	Fe		
2D	6,494	Truck DA90 DA90D DA95 DA110 DA110D DA115 DA115C DA116 Bus DB90 DB92 DB95 DB100 DB100C DB102 DB102C DB105 DB105C DR10 DR11 DR15	SJT10028ZZ	6	1st	105.0	3.0	4.2	BF	CR	Cr	Cr	13011-77010	
					2nd	105.0	3.0	4.2	T1	CR	Cr	Fe	13011-77020	
					3rd	105.0	3.0	4.2	BI-TUC	CR	Fe	Fe	13011-77021	
					Oil 1	105.0	5.0	4.6	E-BC3	CR	Cr	Fe	13011-77022	
					Oil 2	105.0	5.0	4.2	BC1	CR	Fe	Fe	13011-77023	
			SJT10065ZZ	6	1st	105.0	3.0	4.2	BF	CR	Cr	Cr	13011-77024	
						2nd	105.0	3.0	4.2	T1	CR	Cr	Fe	
						3rd	105.0	3.0	4.2	BI-TUC	CR	Fe	Fe	
						Oil	105.0	5.0	4.6	E-BC3	CR	Cr	Fe	
2D(NEW)	6,494	Truck PA110 PA115 PA116 Bus	SJT10074ZZ	6	1st	105.0	3.05	4.0	BF-K3	HB	Cr	Cr	13011-77040	
					2nd	105.0	2.5	4.4	T1	CR	Cr	Fe	13011-77041	
					3rd	105.0	2.5	4.4	BI-TUC	CR	Fe	Fe	13011-77050	
					Oil	105.0	5.0	4.6	E-BC3	CR	Cr	Fe		
15B-F	4,104	Dyna Toyo Ace	SDT10188ZZ	4	1st	108.0	3.0	3.7	BF-K2	SR	GN	GN	13011-58090	
					2nd	108.0	2.0	4.3	BI-TUC	CR	Cr	Fe		
					Oil	108.0	4.0	4.4	E-BC16	SR	GN	GN		
15B-FTE	4,104	Mega Cruiser Toyo Ace Dyna	SDT10189ZZ	4	1st	108.0	3.0	3.7	BF	SR	GN	GN	13011-58110	
					2nd	108.0	2.0	3.8	BI-TUC	CR	Fe	Fe		
					Oil	108.0	4.0	4.4	E-BC16	SR	GN	GN		
S05C	4,899	Toyo Ace Dyna	SDT10199ZZ	4	1st	114.0	2.5	4.3	BF	SR	GN	GN	13011-78031	
					2nd	114.0	2.0	4.3	T1	SR	GN	GN	13011-3731A	
					Oil	114.0	4.0	4.35	E-BC16	SR	GN	GN		

● Gasoline-engine Automobiles ● ガソリン車 ●

Engine Type	Exhaust quantity (c.c.)	Vehicle Model Chassis Type	NPR Catalog Code	Cyl No.	Position	Size (mm)			Shape	Material	Surface Treatment		Reference
						d 1 (D)	h 1 (B)	a 1 (T)			Outside	Upper/Lower	
3EA F6B S-TEC I 0.8L YSE	796	Fino Matiz Tico	SWD20002ZY	3	1st	68.5	1.2	2.5	BF	SR	GN	GN	12140-78B00
					2nd	68.5	1.5	2.8	T1	CR	Fe	Fe	94581409
					Oil	68.5	2.8	2.8	NIFF-S	SR	Cr	Fe	
3EA	796	Matiz	SWD20011ZZ	3	1st	68.5	1.2	2.65	BF-IB	SR	Cr	Fe	96325192 (cyl)
					2nd	68.5	1.2	2.8	T1	CR	Fe	Fe	
					Oil	68.5	2.5	2.8	NIFF-S	SR	Cr	Fe	
4EA	995	Matiz (GM)	SWD20005ZZ	4	1st	68.5	1.2	2.65	BF-IB	SR	Cr	Fe	96325192 (cyl)
					2nd	68.5	1.2	2.8	T1	CR	Fe	Fe	
					Oil	68.5	2.5	2.8	NIFF-S	SR	Cr	Fe	
NP960	1,498	Leman 1.5L Lanos Espero Cielo Nubica Lacetti	SWD20003ZX	4	1st	76.5	1.5	2.65	BF	SR	Cr	Fe	
					2nd	76.5	1.5	3.2	TUC	CR	Fe	Fe	
					Oil	76.5	3.0	2.9	NIFF-S	SR	Cr	Fe	
D-TEC 1.6	1,598	Lanos Nubira Espero Aveo 1.6	SWD20004ZZ	4	1st	79.0	1.2	3.05	BF	SR	Cr	Fe	S1220014
					2nd	79.0	1.5	3.3	TUC	CR	Fe	Fe	93740225(GM)
					Oil	79.0	3.0	3.0	NIFF-S	SR	Cr	Fe	
T18SED	1,796	Excelle 1.8 3BOX RV	SWD20012ZZ	4	1st	80.5	1.2	2.9	BF-IB	SR	GN	GN	93742700
					2nd	80.5	1.2	3.2	TUC	CR	Fe	Fe	
					Oil	80.5	2.0	3.0	NIFF-H	SR	Cr	Fe	
X18XEV	1,796	Optra 1.8	SWD20009ZZ	4	1st	81.6	1.2	3.1	BF-IB	SR	GN	GN	92067238
					2nd	81.6	1.5	3.3	TUC	CR	Fe	Fe	
					Oil	81.6	3.0	2.9	NIFF-S	SR	Cr	Fe	
D-TEC 2.2	2,198	Prince	SWD20006ZZ	4	1st	86.0	1.5	3.45	BF	SR	Cr	Fe	92062027
					2nd	86.0	1.5	3.5	TUC	CR	Fe	Fe	
					Oil	86.0	3.0	3.0	NIFF-S	SR	Cr	Fe	

● Diesel-engine Automobiles ● ディーゼル車 ●

Engine Type	Exhaust quantity (c.c.)	Vehicle Model Chassis Type	NPR Catalog Code	Cyl No.	Position	Size (mm)			Shape	Material	Surface Treatment		Reference
						d 1 (D)	h 1 (B)	a 1 (T)			Outside	Upper/Lower	
6BB1	5,393	Excavator Fork Lift Generator For Chromard Liner	SDD20007ZX	6	1st	102.0	3.0	3.7	BF	SR	GN	GN	65.02503-8069
					2nd	102.0	2.5	4.4	T1-IC	CR	Fe	Fe	
					Oil	102.0	5.0	4.95	E-BC16	SR	GN	GN	
DB58	5,785	Generator	SDD20008ZZ	6	1st	102.0	3.0	4.4	BF-K1	CR	Cr	Fe	65.02503-8058
					2nd	102.0	2.5	4.4	T1-IC	CR	Fe	Fe	
					Oil	102.0	4.0	4.15	E-BC16	SR	GN	GN	
D1146 DE08	8,071	Truck Bus	SDD20014ZZ	6	1st	111.0	3.35	4.7	BF-K1	HB	Cr	Fe	65.02503-8146
					2nd	111.0	3.0	4.6	T1	CR	Fe	Fe	
					Oil	111.0	4.0	4.25	E-BC16	CR	Cr	W	
D2366	11,051	BV113 Bus Wheel Loader Excavator	SDD20013ZZ	6	1st	123.0	3.35	5.0	BF-K1	HB	Cr	Fe	65.02503-8236 (cy1)
					2nd	123.0	3.0	5.0	T1-IC	CR	Fe	Fe	
					Oil	123.0	4.0	4.65	E-BC16	SR	Cr	Fe	
2848T		Truck Bus	SDD20001ZZ	V8	1st	128.0	3.306	5.2	BF-K1	HB	Cr	Fe	65.02503-8252
					2nd	128.0	3.0	5.2	TUC	CR	Cr	Fe	
					Oil	128.0	5.0	4.8	E-BC16	CR	Cr	Fe	
2848M		Truck Bus	TCC-N-0531	V8, V10, V12	1st	128.0	3.3		BF-K1	HB	Cr	Fe	65.02503-8251
					2nd	128.0	3.0		T1	CR	Cr	Fe	
					Oil	128.0	5.5		E-BC16	CR	Cr	Fe	

● Gasoline-engine Automobiles ● ガソリン車 ●

Engine Type	Exhaust quantity (c.c.)	Vehicle Model Chassis Type	NPR Catalog Code	Cyl No.	Position	Size (mm)			Shape	Material	Surface Treatment		Reference
						d 1 (D)	h 1 (B)	a 1 (T)			Outside	Upper/Lower	
G4HA EPSILON 0.8	798	Atos	SWG30020ZZ	4	1st	63.0	1.2	2.25	BF	SR	Cr	Fe	23040-02511
					2nd	63.0	1.5	2.8	T1-IB	CR	Fe	Fe	23040-02510
					Oil	63.0	2.8	2.75	NIFF-S	SR	Cr	Fe	
G4HC EPSILON 1.0	999	Atos	SWG30018ZZ	4	1st	66.0	1.2	2.25	BF	SR	Cr	Fe	23040-02700
					2nd	66.0	1.2	2.9	T1	CR	Fe	Fe	
					Oil	66.0	2.5	2.75	NIFF-S	SR	Cr	Fe	
G4HG EPSILON 1.1	1,086	Santro i 10	SWG30031ZZ	4	1st	67.0	1.2	2.3	BF	SR	GN	GN	23040-02820
					2nd	67.0	1.2	2.7	T1	CR	Fe	Fe	
					Oil	67.0	2.5	2.5	NIFF-S	SR	GN	GN	
			SWG30038ZZ	4	1st	67.0	1.2	2.3	BF	SR	GN	GN	23040-02950
					2nd	67.0	1.2	2.8	TUC	CR	Fe	Fe	23040-02955
					Oil	67.0	2.0	2.65	NIFF-H	SR	GN	GN	23040-02970 23040-02AA0
			SWG30051ZZ	4	1st	67.0	1.2	2.3	BF	SR	GN	GN	23040-02980
					2nd	67.0	1.2	2.8	TUC	CR	Fe	Fe	
					Oil	67.0	2.0	2.45	NIFF-H	SR	GN	GN	
X11 G4DG	1,298	Excel 94	SWG30022ZZ	4	1st	71.0	1.5	2.65	BF	SR	Cr	Fe	23040-24010
					2nd	71.0	1.5	3.1	T1	CR	Fe	Fe	
					Oil	71.0	4.0	3.25	NIFF-S	SR	Cr	Fe	
Kappa 1.2	1,197	Atos	SWG30058ZZ	4	1st	71.0	1.0	2.25	BF	SR	Cr	Fe	23040-03000
					2nd	71.0	1.2	2.5	TUC	CR	Fe	Fe	
					Oil	71.0	2.0	1.95	NIFF-H	SR	GN	GN	
	i10 i20 KIA : Picanto KIA : Rio	SWG30058ZY	4	1st	71.0	1.0	2.5	BF	SR	GN	GN	23040-03220	
				2nd	71.0	1.2	2.5	TUC	CR	Fe	Fe		
				Oil	71.0	2.0	2.2	NIFF-H	SR	GN	GN		
G4EA ALPHA 1.3 ALPHA 1.3s	1,341	Accent	SWG30016ZZ	4	1st	71.5	1.5	2.65	BF	SR	Cr	Fe	23040-22300
					2nd	71.5	1.5	3.1	T1	CR	Fe	Fe	23040-22351
					Oil	71.5	3.0	2.85	NIFF-S	SR	Cr	Fe	
	Click	SWG30036ZZ	4	1st	71.5	1.2	2.65	BF-IB	SR	Cr	Fe	23040-22301	
				2nd	71.5	1.2	3.0	TUC	CR	Fe	Fe		
				Oil	71.5	2.0	2.5	NIFF-H	SR	GN	GN		
G4LC Kappa 1.4	1,359	Accent	SWG30069ZZ	4	1st	72.0	1.0	2.25	BF-IB	SR	Cr	Fe	23040-03AA0
					2nd	72.0	1.2	2.6	TUC	CR	Fe	Fe	
					Oil	72.0	2.0	1.95	NIFF-H	SR	GN	GN	
G4AE ALPHA 1.5	1,468	Accent Scoupe	SWG30017ZX	4	1st	75.5	1.5	2.85	BF	SR	Cr	Fe	23040-22010
					2nd	75.5	1.5	3.1	T1	CR	Fe	Fe	23040-22601
					Oil	75.5	3.0	2.75	NIFF-S	SR	Cr	Fe	

Engine Type	Exhaust quantity (c.c.)	Vehicle Model Chassis Type	NPR Catalog Code	Cyl No.	Position	Size (mm)			Shape	Material	Surface Treatment		Reference
						d 1 (D)	h 1 (B)	a 1 (T)			Outside	Upper /Lower	
G4EK ALPHA 1.5	1,468	Accent Avante	SWG30019ZZ	4	1st	75.5	1.2	2.85	BF	SR	Cr	Fe	23010-26001
					2nd	75.5	1.5	3.1	T1	CR	Fe	Fe	
					Oil	75.5	3.0	2.75	NIFF-S	SR	Cr	Fe	
		Excel 1.5	SWG30023ZZ	4	1st	75.5	1.5	2.85	BF	SR	Cr	Fe	23040-21110 23040-21210 23040-24200 23040-21100
					2nd	75.5	1.5	3.3	T1	CR	Fe	Fe	
					Oil	75.5	4.0	3.25	NIFF-S	SR	Cr	Fe	
G4AJ	1,468	Click	SWG30035ZZ	4	1st	75.5	1.2	2.85	BF-IB	SR	Cr	Fe	23040-26002
					2nd	75.5	1.2	3.3	TUC	CR	Fe	Fe	
					Oil	75.5	2.0	2.8	NIFF-H	SR	GN	GN	
G4ED ALPHA 1.6	1,599	Elantra Santa Fe	SWG30030ZZ	4	1st	76.5	1.2	2.85	BF-IB	SR	Cr	Fe	23040-26101
					2nd	76.5	1.2	3.2	TUC	CR	Fe	Fe	
					Oil	76.5	2.5	2.85	NIFF-S	SR	Cr	Fe	
G4ED ALPHA II 1.6		Click	SWG30034ZZ	4	1st	76.5	1.2	2.85	BF-IB	SR	Cr	Fe	23040-26160
					2nd	76.5	1.2	3.2	TUC	CR	Fe	Fe	
					Oil	76.5	2.0	2.5	NIFF-H	SR	GN	GN	
GAMMA 1.4	1,396	Avante HD	SWG30046ZZ	4	1st	77.0	1.2	2.85	BF-IB	SR	Cr	Fe	23040-2B000 23040-2B600
GAMMA 1.6	1,591				2nd	77.0	1.2	3.05	TUC	CR	Fe	Fe	
					Oil	77.0	2.0	2.55	NIFF-H	SR	Cr	Fe	
G4FC GAMMA 1.6	1,591	Accent Celesta Elantra Verna Solaris i20 ix20	SWG30070ZZ	4	1st	77.0	1.2	2.5	BF-IB	SR	GN	GN	23040-2B800
					2nd	77.0	1.2	3.05	TUC	CR	Fe	Fe	
					Oil	77.0	2.0	2.4	NIFF-H	SR	GN	GN	
G4GR BETA 1.6 J2	1,559	Elantra	SWG30025ZZ	4	1st	77.4	1.2	2.85	BF-IB	SR	Cr	Fe	23040-23100 23040-23150 23040-23912
					2nd	77.4	1.2	3.3	T1	CR	Fe	Fe	
					Oil	77.4	2.5	2.8	NIFF-S	SR	Cr	Fe	
FB	1,793	Spectra 1.8	SWG30040ZZ	4	1st	81.0	1.2	3.3	BF-IB	SR	Cr	Fe	23040-2Y000
					2nd	81.0	1.2	3.4	TUC	CR	Fe	Fe	
					Oil	81.0	2.5	2.85	NIFF-S	SR	Cr	Fe	
2K0 Nu 1.8L	1,797	Elantra 11	SWG30059ZZ	4	1st	81.0	1.0	2.7	BF-IB	SR	GN	GN	23040-2E000
					2nd	81.0	1.2	3.15	TUC-RB	CR	Fe	Fe	
					Oil	81.0	2.0	2.2	NIFF-H	SR	GN	GN	
Nu 2.0L	1,999	Elantra i40 Tucson	SDG30065ZZ (TCC-K-2020)	4	1st	81.0	1.0	2.7	BF-IB	SR	GN	GN	23040-2E200
					2nd	81.0	1.2	3.15	TUC-RB	CR	Fe	Fe	
					Oil	81.0	2.0	2.75	E-BC16	SR	GN	GN	
G4DM SIRIUS 1.8D	1,836	Sonata	SWG30032ZZ	4	1st	81.5	1.2	3.1	BF	SR	GN	GN	23040-33430
					2nd	81.5	1.5	3.6	T1	CR	Cr	Fe	
					Oil	81.5	3.0	2.55	NIFF-S	SR	GN	GN	
G4GB BETA 1.8	1,796	Avante Tiburon Elantra	SWG30028ZY	4	1st	82.0	1.2	3.05	BF-IB	SR	Cr	Fe	23040-23000 23040-23050 23040-23200
					2nd	82.0	1.2	3.5	T1	CR	Fe	Fe	
					Oil	82.0	2.5	2.85	NIFF-S	SR	Cr	Fe	
G4GC G4GF BETA 2.0	1,975	Elantra Elantra Touring Coupe Tucson	SWG30054ZZ	4	1st	82.0	1.2	2.85	BF	SR	Cr	Fe	23040-23300 23040-23400
					2nd	82.0	1.2	3.05	TUC	CR	Fe	Fe	
					Oil	82.0	2.0	2.45	NIFF-H	SR	GN	GN	

Engine Type	Exhaust quantity (c.c.)	Vehicle Model Chassis Type	NPR Catalog Code	Cyl No.	Position	Size (mm)			Shape	Material	Surface Treatment		Reference
						d 1 (D)	h 1 (B)	a 1 (T)			Outside	Upper/Lower	
G4CR G4RJP SIRIUS 1.6	1,595	Elantra	SWG30021ZZ	4	1st	82.3	1.2	3.1	BF	SR	GN	GN	23040-33030
					2nd	82.3	1.5	3.8	T1	CR	Cr	Fe	
					Oil	82.3	3.0	2.85	NIFF-S	SR	GN	GN	
G4CP 2.0	1,997	Sonata 2.0	SWG30029ZZ	4	1st	85.0	1.5	3.25	BF	SR	Cr	Fe	23040-32800
					2nd	85.0	1.5	3.7	T1	CR	Fe	Fe	
					Oil	85.0	4.0	3.15	NIFF-S	SR	Cr	Fe	
			SWG30026ZZ	4	1st	85.0	1.2	3.1	BF-IB	SR	GN	GN	23040-38100
					2nd	85.0	1.5	3.8	TUC	CR	Fe	Fe	
					Oil	85.0	2.8	2.55	NIFF-S	SR	GN	GN	
G4CP 2.0 SIRIUS 2.0D	1,997	Sonata 2.0 New Sonata	SWG30027ZZ	4	1st	85.0	1.2	3.1	BF	SR	GN	GN	23040-33110
					2nd	85.0	1.5	3.8	TUC	CR	Cr	Fe	23040-33140
					Oil	85.0	3.0	2.55	NIFF-S	SR	GN	GN	23040-33150
THETA 2.0 THETA II 2.0	1,998	NF Sonata 2.0L	SWG30042ZZ	4	1st	86.0	1.2	3.05	BF	SR	Cr	Fe	23040-25000
					2nd	86.0	1.2	3.6	TUC	CR	Fe	Fe	
					Oil	86.0	2.0	2.45	NIFF-H	SR	Cr	Fe	
G4KC	1,975	Sonata Lotze	SWG30042ZY	4	1st	86.0	1.2	2.9	BF	SR	GN	GN	23040-2G000
					2nd	86.0	1.2	3.6	TUC	CR	Fe	Fe	
					Oil	86.0	2.0	2.5	NIFF-H	SR	GN	GN	
G4JS SIRIUS II	2,350	Grace (New) Grandeur Grace Grand Salon	SWG30024ZZ	4	1st	86.5	1.5	3.45	BF	SR	Cr	Fe	23040-32610
					2nd	86.5	1.5	3.8	TUC	CR	Fe	Fe	
					Oil	86.5	4.0	3.3	NIFF-S	SR	Cr	Fe	
		Santa Fe 2.4	SWG30047ZZ	4	1st	86.5	1.2	3.1	BF-IB	SR	Cr	Fe	23040-38200
					2nd	86.5	1.5	3.8	TUC	CR	Fe	Fe	23040-38212
					Oil	86.5	2.8	2.55	NIFF-S	SR	Cr	Fe	
G6BA DELTA 2.7	2,656	Delta Hyundai Coupe	SWG30037ZZ	V6	1st	86.7	1.2	3.05	BF-IB	SR	Cr	Fe	23040-37300
					2nd	86.7	1.2	3.6	T1	CR	Fe	Fe	
					Oil	86.7	2.5	2.9	NIFF-H	SR	Cr	Fe	
		Tiburon Sonata 05 Trajet Tucson	SWG30045ZZ	V6	1st	86.7	1.2	3.05	BF-IB	SR	Cr	Fe	23040-3E001
					2nd	86.7	1.2	3.6	T1	CR	Fe	Fe	
					Oil	86.7	2.0	2.65	NIFF-H	SR	GN	GN	
G4KC THETA II 2.4	2,359	NF Sonata 2.4L Tucson	SWG30041ZZ	4	1st	88.0	1.2	3.05	BF-IB	SR	Cr	Fe	23040-25200
					2nd	88.0	1.2	3.6	TUC	CR	Fe	Fe	
					Oil	88.0	2.0	2.45	NIFF-H	SR	Cr	Fe	
G6DB LAMBDA 3.3	3,342	Grandeur Azera Santa Fe Sonata	SWG30055ZZ	6	1st	92.0	1.2	3.1	BF-IB	SR	GN	GN	23040-3C150
					2nd	92.0	1.2	3.4	TUC	CR	Fe	Fe	
					Oil	92.0	2.0	2.55	NIFF-H	SR	GN	GN	
H10 G6AU SIGMA G6CU	3,467	Santa Fe XG 350	SWG30056ZZ	6	1st	93.0	1.5	3.3	BF	SR	GN	GN	23040-39800
					2nd	93.0	1.5	3.9	TUC	CR	Cr	Fe	
					Oil	93.0	3.0	2.85	NIFF-S	SR	GN	GN	
Lambda II 3.8	3,778	Grandeur Genesis	SWG30064ZZ	V6	1st	96.0	1.2	3.05	BF-IB	SR	Cr	Fe	23040-3C200
					2nd	96.0	1.2	3.7	TUC	CR	Fe	Fe	
					Oil	96.0	2.0	2.55	NIFF-H	SR	GN	GN	

● Diesel-engine Automobiles ● ディーゼル車 ●

Engine Type	Exhaust quantity (c.c.)	Vehicle Model Chassis Type	NPR Catalog Code	Cyl No.	Position	Size (mm)			Shape	Material	Surface Treatment		Reference
						d 1 (D)	h 1 (B)	a 1 (T)			Outside	Upper/Lower	
D4FA	1,493	Verna HD65 Truck	SDG30060ZZ	4	1st	75.0	1.75	2.9	BF-IB	SR	GN	GN	23040-2A900
					2nd	75.0	1.75	3.15	T1-IC	CR	Cr	Fe	
					Oil	75.0	3.0	3.0	E-BC16	SR	GN	GN	
D3EA	1,493	Accent LC	SDG30053ZZ	3	1st	83.0	1.93	2.9	BF-K1	SR	GN	GN	
					2nd	83.0	2.0	3.8	T1-RB	CR	Cr	Fe	
					Oil	83.0	3.0	3.25	E-BC16	SR	GN	GN	
D4EA	1,991	Santa Fe 2.0 Tucson Sonata	SDG30043ZZ	4	1st	83.0	1.93	2.9	BF-K1	SR	GN	GN	23040-27950 23040-27920
					2nd	83.0	2.0	3.8	T1-RB	CR	Cr	Fe	
					Oil	83.0	3.0	3.25	E-BC16	SR	GN	GN	
R-Line 2.0	1,995	iX35 Santa Fe Tucson	SDG30066ZZ	4	1st	84.0	2.43	3.05	BF-K1	HB	Cr	Fe	23040-2F930 23040-2F900
					2nd	84.0	2.0	3.6	T1-RB	CR	Fe	Fe	
					Oil	84.0	3.0	3.25	E-BC16	SR	GN	GN	
D6EA	2,959	Veracruz	TCC-P-0712	V6	1st	84.0	2.4		BF-K1	SR	GN	GN	23040-3A900
					2nd	84.0	1.75		T1-RB	CR	Cr	Fe	
					Oil	84.0	3.0		E-BC16	SR	GN	GN	
R-Line 2.2 D4HB	2,199	Santa Fe Grandeur	SDG30067ZZ	4	1st	85.4	2.45	3.1	BF-K1	HB	Cr	Fe	23040-2F910
					2nd	85.4	2.0	3.5	T1-RB	HB	Fe	Fe	
					Oil	85.4	3.0	3.25	E-BC16	SR	GN	GN	
D4EB	2,188	Santa Fe 2.2 CRDI	SDG30052ZZ	4	1st	87.0	2.5	3.35	BF-K2	HB	Cr	Fe	23040-27940
					2nd	87.0	2.0	3.7	T1	CR	Cr	Fe	
					Oil	87.0	3.0	3.85	E-BC16	CR	Cr	Fe	
			SDG30061ZZ	4	1st	87.0	2.5	3.3	BF-K1	SR	GN	GN	23040-27960
					2nd	87.0	2.0	3.7	T1-IC	HB	Cr	Fe	
					Oil	87.0	3.0	3.25	E-BC16	SR	GN	GN	
D4CB	2,497	H-1 Libero Sorento Starex i 800 Satellite	SDG30049ZZ	4	1st	91.0	2.44	3.3	BF-K2	HB	Cr	Fe	23040-4A900
					2nd	91.0	2.0	4.0	T1-RB	CR	Cr	Fe	
					Oil	91.0	3.0	3.25	E-BC16	SR	GN	GN	
			SDG30062ZZ	4	1st	91.0	2.5	3.3	BF-K2	SR	GN	GN	23040-4A940
					2nd	91.0	2.0	3.9	T1-IC	CR	Cr	Fe	
					Oil	91.0	3.0	3.25	E-BC16	SR	GN	GN	
D4BF	2,476	Galopper Grace Turbo Starex Turbo	SDG30009ZX	4	1st	91.1	2.5	3.25	BF-K2	SR	Cr	Fe	23040-42850 1110A561 23040-42510
					2nd	91.1	2.0	3.9	T1-K2	CR	Cr	Fe	
					Oil	91.1	4.0	4.35	E-BC16	SR	GN	GN	
D4BA(OLD) 1 ton	2,476	Grace Porter	SDG30003ZX	4	1st	91.1	2.5	3.45	BF	SR	Cr	Fe	23040-42000
					2nd	91.1	2.0	3.8	T1	CR	Cr	Fe	
					Oil	91.1	4.0	4.35	E-BC16	SR	GN	GN	
D4BA(NEW) 1 ton	2,476	Grace Porter Galopper	SDG30010ZX	4	1st	91.1	2.0	3.3	BF	SR	GN	GN	23040-42010
					2nd	91.1	2.0	3.8	T1	CR	Cr	Fe	
					Oil	91.1	4.0	4.35	E-BC16	SR	GN	GN	
D4BC D4BA D4BF D4BH	2,476	H100 Galopper Grace Starex Porter T, T2	SDG30011ZX	4	1st	91.1	2.0	3.3	BF	SR	GN	GN	23040-42210 23040-42200 23040-42202
					2nd	91.1	2.0	3.8	T1	CR	Cr	Fe	
					Oil	91.1	3.0	3.25	E-BC16	SR	GN	GN	

Engine Type	Exhaust quantity (c.c.)	Vehicle Model Chassis Type	NPR Catalog Code	Cyl No.	Position	Size (mm)			Shape	Material	Surface Treatment		Reference
						d 1 (D)	h 1 (B)	a 1 (T)			Outside	Upper/Lower	
J3CRDI	2,902	Terracan	SDG30044ZY	4	1st	97.1	2.45	3.5	BF-K2	HB	Cr	Fe	23040-4X920
					2nd	97.1	2.0	3.9	T1-RB	HB	Cr	Fe	
					Oil	97.1	3.0	3.25	E-BC16	SR	GN	GN	
D4AE D4AL	3,298	Mighty II 3.5ton	SDG30002ZZ	4	1st	100.0	3.0	4.0	BF-K1-HB	HB	Cr	Fe	23040-41400
					2nd	100.0	2.0	4.2	T1-IC	CR	Cr	Fe	
					Oil	100.0	4.0	4.35	E-BC16	SR	GN	GN	
D4AE(OLD)	3,298	Mighty	SDG30004ZX	4	1st	100.0	3.0	3.65	BF-K2	SR	Cr	Fe	23040-41060
					2nd	100.0	2.0	4.2	T1-IC	CR	Cr	Fe	
					Oil	100.0	5.0	4.95	E-BC16	SR	GN	GN	
D4AF K-1	3,567	Mighty	SDG30005ZX	4	1st	104.0	3.0	3.65	BF-K2	SR	Cr	Fe	23040-41200
					2nd	104.0	2.0	4.2	T1-IC	CR	Cr	Fe	
					Oil	104.0	4.0	4.4	E-BC16	SR	GN	GN	
D4DD	3,907	HD65 HD78	SDG30057ZZ	4	1st	104.0	2.806	3.7	BF-K1	SR	GN	GN	23040-45500
					2nd	104.0	2.0	4.2	T1-IC	CR	Cr	Fe	
					Oil	104.0	3.0	3.25	E-BC16	SR	GN	GN	
D6DA	6,606	Aero Aero Town	SDG30068ZZ	6	1st	109.0	2.806	4.5	BF-K1	HB	Cr	Fe	K0BRI-11-SCO
					2nd	109.0	2.5	4.6	T1-IC	HB	Cr	Fe	
					Oil	109.0	4.0	4.45	E-BC16	SR	GN	GN	
D6BR	7,545	4.5ton Truck 5ton Truck	SDG30006ZZ	6	1st	118.0	3.0	4.25	BF	SR	Cr	Fe	23040-93000
					2nd	118.0	2.5	4.6	T1-IC	CR	Cr	Fe	
					Oil	118.0	4.0	4.4	E-BC16	SR	GN	GN	
D6AB D6AC	11,149	Aero City Aero Town Aero Express HSX	SDG30008ZZ	6	1st	130.0	3.306	5.4	BF-K1	HB	Cr	Fe	23040-83020 23430-83000
					2nd	130.0	3.0	5.3	T1-IC	CR	Cr	Fe	
					Oil	130.0	6.0	5.5	E-BC16	CR	Cr	Fe	
D6CB	11,149	Aero City Aero Town Aero Express HSX	SDG30014ZX	6	1st	130.0	3.306	4.55	BF-K1	SR	Cr	Fe	23040-83030
					2nd	130.0	3.0	5.3	T1-IC	CR	Cr	Fe	
					Oil	130.0	4.0	4.35	E-BC16	SR	GN	GN	
D6AC	11,149	Aero Air Compressor	SDG30012ZZ	6	1st	130.0	3.306	4.55	BF-K1	SR	Cr	Fe	23040-83000
					2nd	130.0	3.0	5.2	T1-IC	CR	Cr	Fe	
					Oil	130.0	6.0	5.5	E-BC16	CR	Cr	Fe	
D70 D6CA	12,920	Samco	SDG30048ZZ	6	1st	133.0	3.33	5.4	BF-K1	HB	Cr	Fe	23430-84010
					2nd	133.0	3.0	5.35	T1	HB	Cr	Fe	
					Oil	133.0	4.0	4.15	E-BC16	SR	Cr	Fe	
D8AX	16,031	15ton Truck 18ton Truck	SDG30007ZZ	V8	1st	135.0	3.306	5.4	BF-K1	HB	Cr	Fe	23040-72020 23040-72800
					2nd	135.0	3.0	5.5	T1-IC	CR	Cr	Fe	
					3rd	135.0	3.0	5.5	B1-UC	CR	Cr	Fe	
					Oil	135.0	4.0	4.35	E-BC16	SR	GN	GN	
D8AY D8AX	16,031	15ton Truck 18ton Truck	SDG30013ZZ	V8	1st	135.0	3.306	5.4	BF-K1	HB	Cr	Fe	23040-72000
					2nd	135.0	3.0	5.5	T1-IC	CR	Cr	Fe	
					3rd	135.0	3.0	5.5	B1-UC	CR	Cr	Fe	
					Oil	135.0	6.0	5.7	E-BC16	CR	Cr	Fe	

● Gasoline-engine Automobiles ● ガソリン車 ●

Engine Type	Exhaust quantity (c.c.)	Vehicle Model Chassis Type	NPR Catalog Code	Cyl No.	Position	Size (mm)			Shape	Material	Surface Treatment		Reference
						d 1 (D)	h 1 (B)	a 1 (T)			Outside	Upper/Lower	
B1	1,138	Pride	SWK30018ZZ	4	1st	68.0	1.2	2.45	BF	SR	Cr	Fe	KK1Y-11-SCO
B3	1,324				2nd	68.0	1.5	3.1	TUC	CR	Fe	Fe	KK1Y8-11-SCO
					Oil	68.0	3.0	2.95	NIFF-S	SR	Cr	Fe	KKY1-11-SCO
C10	785	Towner	SWK30021ZZ	3	1st	70.0	1.2	2.5	BF-IB	SR	GN	GN	K0BMI-11-SCO
					2nd	70.0	1.5	3.0	TUC	CR	Fe	Fe	
					Oil	70.0	2.8	2.85	NIFF-S	SR	GN	GN	
B3	1,324	Pride	SWK30017ZZ	4	1st	71.0	1.2	2.47	BF	SR	Cr	Fe	K1Y0-11-SCO
					2nd	71.0	1.5	3.1	TUC	CR	Fe	Fe	K1Y1-11-SCO
					Oil	71.0	3.0	2.92	NIFF-S	SR	Cr	Fe	
1Y0 Kappa II 1.0L	998	Picanto	SWK30028ZZ	3	1st	71.0	1.0	2.3	BF-IB	SR	GN	GN	23040-04100
					2nd	71.0	1.2	2.5	TUC	CR	Fe	Fe	
					Oil	71.0	2.0	1.95	NIFF-H	SR	GN	GN	
B3 EURO4	1,324	Pride Rio	SWK30031ZZ	4	1st	71.0	1.2	2.5	BF	SR	GN	GN	
					2nd	71.0	1.2	2.5	TUC	CR	Fe	Fe	
					Oil	71.0	2.0	1.95	NIFF-H	SR	GN	GN	
DC	1,493	Rio	SWK30019ZZ	4	1st	75.5	1.2	2.85	BF-IB	SR	Cr	Fe	OK3Y0-11-SCO
					2nd	75.5	1.2	3.3	TUC	CR	Fe	Fe	OK3Y2-11-SCO
					Oil	75.5	2.5	2.8	NIFF-S	SR	Cr	Fe	
B6D	1,597	Sephia	SWK30026ZZ	4	1st	78.0	1.5	3.05	BF	SR	Cr	Fe	OK2Y2-11-SCO
					2nd	78.0	1.5	3.4	TUC	CR	Fe	Fe	OK2Y0-11-SCO
					Oil	78.0	3.0	3.0	NIFF-S	SR	Cr	Fe	
		Spectra	SWK30027ZZ	4	1st	78.0	1.2	2.85	BF-IB	SR	Cr	Fe	OK3Y3-11-SCO
	2nd				78.0	1.2	3.3	TUC	CR	Fe	Fe		
	Oil				78.0	2.5	2.8	NIFF-S	SR	Cr	Fe		
KV20 B5D	1,498	Sephia Capital	SWK30020ZZ	4	1st	78.0	1.5	3.05	BF	SR	Cr	Fe	K9Y1-11-SCO
	2nd				78.0	1.5	3.4	TUC	CR	Fe	Fe		
	Oil				78.0	4.0	3.05	NIFF-S	SR	Cr	Fe		
ROVER KV6 2.5L	2,497	Carnival	SWK30025ZZ	V6	1st	80.0	1.2	2.9	BF-IB	SR	Cr	Fe	OK9YV-11-SCO
	2nd				80.0	1.5	3.4	TUC	CR	Fe	Fe		
	Oil				80.0	2.5	2.85	NIFF-S	SR	Cr	Fe		
NuGDI 2.0L	1,999	Carens	SWK30030ZZ	4	1st	81.0	1.5	3.1	BF	SR	GN	GN	OK2Y3-11-SCO
	2nd				81.0	1.5	3.4	T1	CR	Fe	Fe		
	Oil				81.0	3.0	2.85	NIFF-S	SR	GN	GN		
FE FED	1,998	Sportage	SWK30022ZZ	4	1st	86.0	1.5	3.3	BF	SR	GN	GN	OKFY3-11-SCO
	2nd				86.0	1.5	3.8	TUC	CR	Fe	Fe		
	Oil				86.0	4.0	3.05	NIFF-S	SR	GN	GN		
G8BA Tau 4.6	4,627	Borrego Mohave Equus Genesis	TCC-P-0738	V8	1st	92.0	1.2	3.27	BF-IB	SR	Cr	Fe	23040-3F300
					2nd	92.0	1.2	3.4	TUC	CR	Fe	Fe	23040-3F302
					Oil	92.0	2.0	2.7	NIFF-H	SR	Cr	Fe	

● Diesel-engine Automobiles ● ディーゼル車 ●

Engine Type	Exhaust quantity (c.c.)	Vehicle Model Chassis Type	NPR Catalog Code	Cyl No.	Position	Size (mm)			Shape	Material	Surface Treatment		Reference
						d 1 (D)	h 1 (B)	a 1 (T)			Outside	Upper/Lower	
D4FB	1,582	Cerato Ceed Soul Venga	SDK30029ZZ	4	1st	77.2	1.75	2.9	BF-IB	SR	GN	GN	23040-2A960
					2nd	77.2	1.75	3.1	T1-IC	HB	Cr	Fe	
					Oil	77.2	3.0	3.0	E-BC16	SR	GN	GN	
D6EA	2,959	Mohave	TCC-P-0712	V6	1st	84.0	2.4		BF-K1	SR	GN	GN	23040-3A900
					2nd	84.0	1.75		T1-RB	CR	Cr	Fe	
					Oil	84.0	3.0		E-BC16	SR	GN	GN	
NB1(OLD)	2,184	Besta	SDK30006ZZ	4	1st	86.0	2.0	3.05	BF-IB	SR	Cr	Fe	R201-23-130
					2nd	86.0	2.0	3.6	T1-IC	CR	Fe	Fe	
					Oil	86.0	4.0	4.15	E-BC16	SR	GN	GN	
NB7	2,184	Sportage Sportage Turbo	SDK30011ZX	4	1st	86.0	2.0	3.05	BF-IB	SR	Cr	Fe	K7Y1-11-SCO
					2nd	86.0	2.0	3.6	T1-IC	CR	Cr	Fe	
					Oil	86.0	3.0	3.25	E-BC16	SR	GN	GN	
R2 NB1(NEW)	2,184	New Besta	SDK30013ZX	4	1st	86.0	2.0	3.05	BF-K2	SR	Cr	Fe	K7Y0-11-SCO
					2nd	86.0	2.0	3.6	T1-IC	CR	Fe	Fe	
					Oil	86.0	4.0	4.15	E-BC16	SR	GN	GN	
S2 XA	2,209 2,522	Bongo Ceres	SDK30007ZX	4	1st	88.925	2.383	3.45	BF	SR	Cr	Fe	K6ZO-11-SCO
					2nd	88.925	2.383	3.5	T1-IC	CR	Fe	Fe	
					Oil	88.925	4.763	4.6	E-BC16	SR	GN	GN	
D4BH D4BF	2,476	Pregio Galopper Satellite	TCC-P-0715	4	1st	91.1	2.5		BF-K2	SR	GN	GN	23040 42510
					2nd	91.1	2.0		T1-K2	HB	Cr	Fe	
					Oil	91.1	4.0		E-BC16	SR	GN	GN	
SF	2,417	K2400 Bongo Porter Bongo Wide Bongo	SDK30005ZX	4	1st	92.0	2.4	3.8	BF	CR	Cr	Fe	K7Z0-11-SCO K756-23-206
					2nd	92.0	2.4	3.8	T1	CR	Fe	Fe	
					Oil	92.0	4.0	4.35	E-BC16	SR	GN	GN	
SS SUTC	2,700	Besta Hi Topic	SDK30004ZX	4	1st	92.0	2.85	3.45	BF-K1	SR	Cr	Fe	K4Z0-11-SCO K480-23-206
					2nd	92.0	2.4	3.8	T1	CR	Fe	Fe	
					Oil	92.0	4.0	4.35	E-BC16	SR	GN	GN	
ZB	4,052	K4100	SDK30012ZX	6	1st	92.025	2.383	3.45	BF	SR	Cr	Fe	OK8Y1-11-SCO
					2nd	92.025	2.383	3.6	T1-IC	CR	Cr	Fe	
					Oil	92.025	4.763	4.6	E-BC16	SR	GN	GN	
RFA VN	2,662	Hi Besta	SDK30009ZZ	4	1st	93.0	2.0	3.25	BF-IB	SR	Cr	Fe	VNY1-11-SCO
					2nd	93.0	2.0	3.7	TUC	CR	Cr	Fe	
					Oil	93.0	3.0	3.25	E-BC16	SR	GN	GN	

Engine Type	Exhaust quantity (c.c.)	Vehicle Model Chassis Type	NPR Catalog Code	Cyl No.	Position	Size (mm)			Shape	Material	Surface Treatment		Reference
						d 1 (D)	h 1 (B)	a 1 (T)			Outside	Upper/Lower	
JS J2	2,665	K2700 Pregio	SDK30001ZZ	4	1st	94.5	2.0	3.3	BF	SR	GN	GN	K6Z1-11-SCO
					2nd	94.5	2.0	4.0	T1-IC	CR	Cr	Fe	
					Oil	94.5	3.0	3.25	E-BC16	SR	GN	GN	
HA1	2,957	K3000 Super Titan	SDK30010ZZ	4	1st	95.0	2.383	3.45	BF	SR	Cr	Fe	KOY0-11-SCO
					2nd	95.0	2.383	3.8	T1	CR	Cr	Fe	
					Oil	95.0	4.0	4.15	E-BC16	SR	GN	GN	
J3 TCI	2,902	Carnival	SDK30016ZZ	4	1st	97.1	2.0	3.5	BF-K2	SR	GN	GN	K5Z1-11-SCO
					2nd	97.1	2.0	3.9	T1-IC	CR	Cr	Fe	
					Oil	97.1	3.0	3.25	E-BC16	SR	GN	GN	
JT	2,956	K3000 K4000	SDK30008ZZ	4	1st	98.0	2.0	3.65	BF-IB	SR	Cr	Fe	K7Z1-11-SCO
					2nd	98.0	2.0	3.9	T1-IC	CR	Cr	Fe	
					Oil	98.0	3.0	3.25	E-BC16	SR	GN	GN	
JD	3,455	Trade K3500	SDK30014ZX	4	1st	100.0	2.5	3.65	BF	SR	Cr	Fe	K4Y0-11-SCO
					2nd	100.0	2.0	4.2	T1-IC	CR	Cr	Fe	
					Oil	100.0	4.5	4.6	E-BC16	SR	GN	GN	
SH	3,598	Trade K3600	SDK30003ZZ	4	1st	100.0	2.0	3.7	BF	SR	GN	GN	K4Y1-11-SCO
					2nd	100.0	2.0	4.2	T1-IC	CR	Cr	Fe	
					Oil	100.0	3.0	3.25	E-BC16	SR	GN	GN	
H07C	6,728	Cosmos	SDK30015ZX	6	1st	110.0	3.0	4.1	BF	SR	GN	GN	OK8Y0-11-SCO
					2nd	110.0	2.5	4.5	T1-IC	CR	Fe	Fe	
					3rd	110.0	2.5	4.5	B1-TUC	CR	Cr	Fe	
					Oil	110.0	5.0	4.95	E-BC16	SR	GN	GN	
EF750	16,745	Grantto Granbird	SDK30023ZZ	V8	1st	137.0	3.306	5.4	BF-K1	HB	Cr	Fe	AA92F-11120
					2nd	137.0	3.5	5.4	T1-IC	CR	Fe	Fe	
					3rd	137.0	3.5	5.4	B1-TUC	CR	Cr	Fe	
					Oil	137.0	6.0	5.5	E-BC3	CR	Cr	Fe	

● Gasoline-engine Automobiles ● ガソリン車 ●

Engine Type	Exhaust quantity (c.c.)	Vehicle Model Chassis Type	NPR Catalog Code	Cyl No.	Position	Size (mm)			Shape	Material	Surface Treatment		Reference
						d 1 (D)	h 1 (B)	a 1 (T)			Outside	Upper/Lower	
CD800 JADE	796	Towner	SWA20001ZZ	3	1st	70.0	1.2	2.5	BF-IB	SR	GN	GN	AA100-11-120
					2nd	70.0	1.5	3.0	TUC	CR	Fe	Fe	
					Oil	70.0	2.8	2.85	NIFF-S	SR	GN	GN	

● Diesel-engine Automobiles ● ディーゼル車 ●

Engine Type	Exhaust quantity (c.c.)	Vehicle Model Chassis Type	NPR Catalog Code	Cyl No.	Position	Size (mm)			Shape	Material	Surface Treatment		Reference
						d 1 (D)	h 1 (B)	a 1 (T)			Outside	Upper/Lower	
EM100	9,419	Truck	SDA20002ZX	6	1st	124.0	2.806	4.45	BF-K1	SR	Cr	Fe	EA1522-2010AS
					2nd	124.0	2.5	5.0	T1-IC	CR	Cr	Fe	
					3rd	124.0	3.0	5.0	BI-TUC	CR	Cr	Fe	
					Oil	124.0	5.0	4.95	E-BC16	SR	GN	GN	

● Gasoline-engine Automobiles ● ガソリン車 ●

Engine Type	Exhaust quantity (c.c.)	Vehicle Model Chassis Type	NPR Catalog Code	Cyl No.	Position	Size (mm)			Shape	Material	Surface Treatment		Reference
						d 1 (D)	h 1 (B)	a 1 (T)			Outside	Upper/Lower	
6G73	2,497	Avenger Cirrus Stratus	SWC10009ZZ	V6	1st	83.5	1.2	2.85	BF	SR	Cr	Fe	MD310258
					2nd	83.5	1.5	3.5	T1	CR	Fe	Fe	MD159836
					Oil	83.5	3.0	2.85	NIFF-S	SR	Cr	Fe	
EER 2.7	2,736	Concorde Interpid	SWC10001ZZ	V6	1st	86.0	1.5	3.45	BF	SR	Cr	Fe	4897027 AA
					2nd	86.0	1.5	4.0	T1-RB	CR	Fe	Fe	
ELLESMERE L81	2,962	Stratus			Oil	86.0	3.0	3.0	NIFF-S	SR	Cr	Fe	
SLANT 6	3,687	Pick up Ram Van Ram Wagon	SWC10017ZZ	V6	1st	86.36	1.98	4.0	BF	CR	Cr	Fe	4131203
					2nd	86.36	1.98	4.0	T1-RB	CR	Fe	Fe	4131214
					Oil	86.36	4.76	4.2	NIFF-S	SR	Cr	Fe	4131205
K 2.2 K 2.2T K 2.5 K 2.5T	2,212	Acclaim	SWC10003ZZ	4	1st	87.5	1.5	3.8	BF	CR	Cr	Fe	4626636
	2,507	Caravan			2nd	87.5	1.5	4.0	T1-RB	CR	Fe	Fe	4411977
		Dakota			Oil	87.5	4.0	3.8	NIFF-S	SR	Cr	Fe	4626575
EDZ 2.4	2,429	Stratus Sebring	SWC10004ZZ	4	1st	87.5	1.2	2.9	BF	SR	GN	GN	4897024 AA
					2nd	87.5	1.5	3.9	T1-RB	CR	Cr	Fe	
					Oil	87.5	3.0	2.55	NIFF-S	SR	GN	GN	
EDT 2.4	2,429	Neon PT Cruiser Wranger	SWC10010ZY	4	1st	87.5	1.2	2.9	BF	SR	GN	GN	5093441 AA 4798324
					2nd	87.5	1.5	4.0	TUC	CR	Fe	Fe	
					Oil	87.5	2.5	2.8	NIFF-S	SR	Cr	Fe	
EDZ 2.4 POWERTech 2.4	2,429	Sebring Stratus	SWC10007ZZ	4	1st	87.5	1.5	3.3	BF-IB	SR	GN	GN	5073524 AA 4773005
					2nd	87.5	1.5	4.0	TUC	CR	Fe	Fe	
					Oil	87.5	3.0	2.55	NIFF-S	SR	GN	GN	
TIGERSHARK 2.0	1,998	200 Cherokee Dart	SWC10027ZZ	4	1st	88.0	1.2	2.7	BF	SR	GN	GN	68165801AA 68231951AB
					2nd	88.0	1.2	3.35	TUH	CR	Fe	Fe	
TIGERSHARK 2.4	2,359	Renegade			Oil	88.0	2.0	2.55	NIFF-H	SR	GN	GN	
EGW 3.2	3,195	Concorde Interpid	SWC10008ZZ	V6	1st	92.0	1.2	3.3	BF	SR	GN	GN	4897032 AA
					2nd	92.0	1.5	4.1	TUC	CR	Fe	Fe	
					Oil	92.0	3.0	3.05	NIFF-S	SR	GN	GN	
EGA 3.3 POWERTech 3.7	3,293	Grand	SWC10002ZZ	V6	1st	93.0	1.5	3.25	BF	SR	Cr	Fe	4897033 AA 5241052 5012364 AC
	3,701	Caravan			2nd	93.0	1.5	3.9	T1-RB	CR	Fe	Fe	
		Voyager			Oil	93.0	3.0	3.0	NIFF-S	SR	Cr	Fe	
EGJ 3.5 EGH 3.8	3,507 3,802	Concorde Interpid	SWC10005ZZ	V6	1st	96.0	1.5	3.5	BF	SR	GN	GN	4626388 4626660
					2nd	96.0	1.5	4.0	T1-RB	CR	Fe	Fe	
					Oil	96.0	3.0	3.2	NIFF-S	SR	GN	GN	
EGG 3.5 EGQ 4.0 EGS 4.0	3,518 3,952	Pacifica Nitro Concorde	SWC10013ZZ	V6	1st	96.0	1.2	3.5	BF	SR	GN	GN	4897035 AA
					2nd	96.0	1.5	4.0	TUC	CR	Fe	Fe	
					Oil	96.0	3.0	3.45	NIFF-S	SR	Cr	Fe	

Engine Type	Exhaust quantity (c.c.)	Vehicle Model Chassis Type	NPR Catalog Code	Cyl No.	Position	Size (mm)			Shape	Material	Surface Treatment		Reference
						d 1 (D)	h 1 (B)	a 1 (T)			Outside	Upper /Lower	
EGJ 3.5 EGH 3.8 SMPI 4.0	3,523	Concorde	SWC10015ZX	V6	1st	96.0	1.2	3.5	BF	SR	GN	GN	4773023
	3,778	Grand Caravan			2nd	96.0	1.5	4.0	T1-RB	CR	Fe	Fe	
	3,952	Town & County			Oil	96.0	3.0	3.2	NIFF-S	SR	GN	GN	
PENTASTAR 3.6L	3,604	200 300	SWC10025ZZ	V6	1st	96.0	1.2	3.1	BF	SR	GN	GN	68078776AA
		Avenger			2nd	96.0	1.2	3.7	TUC	CR	Fe	Fe	
		Challenger			Oil	96.0	2.0	2.55	NIFF-H	SR	GN	GN	
		Charger											
		Durango											
		Grand Caravan											
		Grand Cherokee											
		Journey											
		Ram 1500											
		Ram Cargo Van											
		Ram Promaster											
		Town & Country											
		Wrangler											
AMC 150	2,464	Cherokee	SWC10011ZX	4	1st	98.43	1.5	3.5	BF	SR	GN	GN	4798324
		Dakota			2nd	98.43	1.5	4.5	T1-RB	CR	Fe	Fe	
					Oil	98.43	4.0	3.2	NIFF-S	SR	Cr	Fe	
POWERTECH 4.0	3,966	Wrangler	SWC10012ZY	V6	1st	98.43	1.5	3.5	BF	SR	GN	GN	4798878
		Cherokee			2nd	98.43	1.5	4.5	T1-RB	CR	Fe	Fe	
					Oil	98.43	4.0	3.2	NIFF-S	SR	Cr	Fe	
LA239	3,917	Pick up	SWC10018ZZ	V6	1st	99.31	2.0	4.5	BF-IB	CR	Cr	Fe	3780007
		Ram Van			2nd	99.31	2.0	4.5	T1-RB	CR	Fe	Fe	
		Dakota			Oil	99.31	4.76	4.2	NIFF-S	SR	Cr	Fe	
LA318 MAGNUM 5.2	5,211	Pick up	SWC10019ZZ	V8	1st	99.31	2.0	4.5	BF-IB	CR	Cr	Fe	2808553
		Ram Van			2nd	99.31	2.0	4.5	T1-RB	CR	Fe	Fe	2808550
		Ram Wagon			Oil	99.31	4.76	4.2	NIFF-S	SR	Cr	Fe	3780007
MAGNUM 5.2	5,211	Dakota	SWC10020ZX	V8	1st	99.31	2.0	3.45	BF	SR	Cr	Fe	4638060
		Ram Van			2nd	99.31	2.0	4.5	T1	CR	Fe	Fe	4720727
		Ram Wagon			Oil	99.31	4.0	3.1	NIFF-S	SR	GN	GN	
HEMI 5.7 EZB HEMI 5.7	5,654	Durango	SWC10016ZX	V8	1st	99.5	1.5	3.5	BF	SR	GN	GN	5086002 AA
		Ram 1500			2nd	99.5	1.5	4.5	T1-RB	CR	Fe	Fe	
		Ram 2500			Oil	99.5	3.0	2.85	NIFF-S	SR	GN	GN	
HEMI 5.7L	5,654	Challenger	SWC10024ZZ	V8	1st	99.5	1.2	3.1	BF	SR	GN	GN	68046210AB
		Charger			2nd	99.5	1.2	4.0	TUC	CR	Fe	Fe	
		Grand Cherokee			Oil	99.5	2.0	2.7	NIFF-H	SR	Cr	Fe	
		Durango											
		Ram 1500											
		Ram 2500											
		Ram 3500											
HEMI 6.4 HEMI 6.4 ESG	6,424	300	SWC10026ZZ	V8	1st	103.9	1.5	3.3	BF	SR	GN	GN	68092206AA
		Challenger			2nd	103.9	1.2	4.2	TUC	CR	Cr	Fe	
		Charger			Oil	103.9	2.0	2.8	NIFF-H	SR	GN	GN	
		Durango											
		Grand Cherokee											
		Ram 2500											
		Ram 3500											
		Ram 4500 Chassis											
		Ram 5500 Chassis											

● Diesel-engine Automobiles ● ディーゼル車 ●

Engine Type	Exhaust quantity (c.c.)	Vehicle Model Chassis Type	NPR Catalog Code	Cyl No.	Position	Size (mm)			Shape	Material	Surface Treatment		Reference
						d l (D)	h l (B)	a l (T)			Outside	Upper/Lower	
6BT ISB5.9	5,899	Pick up Ram 2500 Ram 3500 Ram Charger	SDC1002ZZ	6	1st	102.0	2.84	4.2	BF-K1	HB	Cr	Fe	4089258
					2nd	102.0	2.385	4.3	T1-RB	CR	Fe	Fe	4761334
					Oil	102.0	4.0	4.3	E-BC16	CR	Cr	Fe	
B6.7	6,690	Ram 2500 Ram 3500 Ram 4500 Chassis Cab Ram 5500 Chassis Cab	SDC1002ZX	6	1st	107.0	2.85	4.4	BF-K1	HB	Cr	Fe	4955366
					2nd	107.0	2.5	4.5	T1-RB	CR	Fe	Fe	
					Oil	107.0	3.5	4.15	E-BC16	CR	Cr	Fe	

● Gasoline-engine Automobiles ● ガソリン車 ●

Engine Type	Exhaust quantity (c.c.)	Vehicle Model Chassis Type	NPR Catalog Code	Cyl No.	Position	Size (mm)			Shape	Material	Surface Treatment		Reference
						d 1 (D)	h 1 (B)	a 1 (T)			Outside	Upper/Lower	
ZETEC ROCAM	999	Escort Fiesta Ka Focus EcoSport	SWF30033ZZ (TCC-H-0046)	4	1st	68.68	1.2	2.5	BF	SR	GN	GN	A59870
					2nd	68.68	1.5	2.85	TUC	CR	Fe	Fe	
					Oil	68.68	2.0	3.1	NIFF-H	SR	Cr	Fe	
ECOBOOST 16T	1,596	Escape Fiesta Fusion Transit Concept	SWF30030ZZ	4	1st	79.0	1.2	2.9	BF	SR	GN	GN	CJ5Z-6148-A CJ5Z-6148-B
					2nd	79.0	1.2	2.9	TUC	SR	Fe	Fe	
					Oil	79.0	2.0	2.5	NIFF-H	SR	GN	GN	
ZL16 ROCAM	1,596	Focus	SWF30017ZZ	4	1st	82.0	1.2	2.85	BF	SR	Cr	Fe	XS6E 6148 DA
					2nd	82.0	1.5	3.5	TUC	CR	Fe	Fe	
					Oil	82.0	2.0	3.05	NIFF-H	SR	Cr	Fe	
DURATEC VE DURATEC 25SVT	2,540	Contour	SWF30003ZZ	6	1st	82.5	1.2	2.9	BF	SR	GN	GN	F5RZ 6148E XS2Z 6148 AA
					2nd	82.5	1.5	3.6	TUC	CR	Fe	Fe	
					Oil	82.5	3.0	2.85	NIFF-S	SR	GN	GN	
FS FS05	1,991	Probe	SWF30001ZZ	4	1st	83.0	1.2	3.1	BF-IB	SR	GN	GN	FSY2-11-SCO E62Z 6149 AA
					2nd	83.0	1.5	3.6	TUC	CR	Fe	Fe	
					Oil	83.0	3.0	3.2	NIFF-S	SR	Cr	Fe	
ECOBOOST 27T ECOBOOST 27TT	2,687	Bronco Continental Edge Sport F150 Fusion MKX Nautilus	SWF30031ZZ	V6	1st	83.0	1.2	2.7	BF	SR	GN	GN	FT4Z-6148-A
					2nd	83.0	1.2	3.1	TUH	CR	Fe	Fe	
					Oil	83.0	2.0	2.2	NIFF-H	SR	GN	GN	
ZETEC-R 2.0	1,991	Cougar Escape Focus ZX2	SWF30002ZZ	4	1st	84.8	1.5	3.05	BF	SR	Cr	Fe	YS4Z 6135 AA F8CZ 6148 AA
					2nd	84.8	1.75	3.9	TUC	CR	Fe	Fe	
					Oil	84.8	3.0	3.2	NIFF-S	SR	Cr	Fe	
CVH 2.0	1,986	Focus Escape Tracer	SWF30005ZZ	4	1st	84.86	1.5	3.1	BF	SR	GN	GN	F7CZ 6148 AA 2MGZ 6135 AA
					2nd	84.86	1.5	3.9	T1-RB	CR	Fe	Fe	
					Oil	84.86	3.0	3.1	NIFF-S	SR	GN	GN	
ZETEC-E 2.0	1,991	Mystique	SWF30007ZZ	4	1st	84.86	1.5	3.1	BF	SR	GN	GN	F5RZ 6148 A
					2nd	84.86	1.75	3.8	TUC	CR	Fe	Fe	
					Oil	84.86	3.0	3.1	NIFF-S	SR	GN	GN	
ECO BOOST 20T DURATEC 20H	1,999	Escape Focus Fusion Taurus	SWF30023ZZ	4	1st	87.5	1.2	2.9	BF	SR	GN	GN	AG9Z 6148 A CM5Z 6148 AB
					2nd	87.5	1.2	3.4	TUC	CR	Fe	Fe	
					Oil	87.5	2.0	2.5	NIFF-H	SR	GN	GN	
DURATEC 25	2,488	Escape Fusion Escape hybrid Fusion hybrid	SWF30024ZZ	4	1st	89.0	1.2	2.9	BF-IB	SR	GN	GN	9E5Z 6148 A
					2nd	89.0	1.2	3.8	TUC	CR	Fe	Fe	
					Oil	89.0	2.5	2.45	NIFF-H	SR	GN	GN	
VULCAN V6	2,997	Sable Taurus Ranger	SWF30016ZZ	V6	1st	89.0	1.5	3.45	BF	SR	Cr	Fe	4F1Z 6148 CA 2F1Z 6148 AA
					2nd	89.0	1.5	3.7	TUC	CR	Fe	Fe	
					Oil	89.0	3.0	2.95	NIFF-S	SR	Cr	Fe	

Engine Type	Exhaust quantity (c.c.)	Vehicle Model Chassis Type	NPR Catalog Code	Cyl No.	Position	Size (mm)			Shape	Material	Surface Treatment		Reference
						d 1 (D)	h 1 (B)	a 1 (T)			Outside	Upper/Lower	
DURATEC 30	2,967	Fusion Taurus	SWF30021ZZ	V6	1st 2nd Oil	89.0 89.0 89.0	1.2 1.5 2.5	3.5 4.1 2.85	BF TUC NIFF-S	SR CR SR	GN Fe GN	GN Fe GN	YF1Z 6148BA
TRITON 46GT TRITON 46V	4,605	Expedition	SWF30006ZY	V8	1st 2nd Oil	90.2 90.2 90.2	1.5 1.5 3.0	3.25 4.1 3.25	BF TUC NIFF-S	SR CR SR	Cr Fe Cr	Fe Fe Fe	F5LY 6148 A F7AZ 6148 AA 2L3Z 6148 AA
F150													
TRITON 54 TRITON 54V	5,408	F250		V8									
TRITON 46 TRITON 46C INTECH 46	4,605	Continental Mustang Town Car	SWF30008ZZ	V8	1st 2nd Oil	90.2 90.2 90.2	1.2 1.5 3.0	3.3 3.9 3.1	BF T1-RB NIFF-S	SR CR SR	GN Fe GN	GN Fe GN	F8LZ 6148 AA
TRITON 6.8	6,801	Fullsize Van	SWF30019ZY	V10	1st 2nd Oil	90.2 90.2 90.2	1.5 1.5 3.0	3.25 4.1 3.25	BF TUC NIFF-S	SR CR SR	Cr Fe Cr	Fe Fe Fe	2L3Z 6148 AA
COYOTE 50	4,951	F150 Mustang	SWF30027ZZ (TCC-G-0090)	V8	1st 2nd Oil	92.2 92.2 92.2	1.2 1.2 2.5	3.1 3.5 2.75	BF TUC NIFF-H	SR HB SR	GN Cr GN	GN Fe GN	CU7Z 6148 A
DURATEC 35	3,496	Edge Fusion Taurus Explorer F150	SWF30026ZZ	6	1st 2nd Oil	92.5 92.5 92.5	1.2 1.5 2.5	3.1 3.55 2.75	BF TUC NIFF-H	SR CR SR	GN Fe GN	GN Fe GN	ATAZ 6148 C
COLOGNE 29	2,901	Bronco II Ranger	SWF30014ZY	V6	1st 2nd Oil	93.0 93.0 93.0	1.6 1.75 3.5	3.9 3.9 3.05	BF T1 NIFF-S	HB CR SR	Cr Fe GN	Fe Fe GN	E7RY 6148 A
HSC 2.3	2,311	Tempo Topaz	SWF30011ZX	4	1st 2nd Oil	93.47 93.47 93.47	2.0 2.0 4.76	3.3 4.3 4.2	BF T1-RB NIFF-S	SR CR SR	GN Fe Cr	GN Fe Fe	E63Z 6148 A
HSC 2.5	2,496	Sable Taurus											
DURATEC 37	3,721	Edge Sports Mustang Continental F150 Lincoln MKS Lincoln MKT Lincoln MKX Lincoln MKZ Transit	TCC-M-0112	V6	1st 2nd Oil	95.5 95.5 95.5	1.2 1.5 2.5		BF TUC NIFF-S	SR CR SR	GN Fe GN	GN Fe GN	BA5Z 6148 C
OHC 2.3	2,295	Tempo Mustang Marquis	SWL03268ZX	4	1st 2nd Oil	96.0 96.0 96.0	1.5 1.5 4.0	3.45 4.0 3.25	BF T1-RB NIFF-S	SR CR SR	Cr Fe Cr	Fe Fe Fe	F1ZZ 6148 A
ESSEX V6 38	3,802	Thunderbird Continental Cougar	SWF30013ZY	V6	1st 2nd Oil	96.8 96.8 96.8	1.5 1.5 4.0	3.45 4.2 3.2	BF T1-RB NIFF-S	SR CR SR	Cr Fe Cr	Fe Fe Fe	E8DZ 6148 A F4DZ 6148 A E9SZ 6148 B
232CI V6 ESSEX V6 38	3,802	Cougar Mustang Marquis	SWF30015ZZ	V6	1st 2nd Oil	96.8 96.8 96.8	2.0 2.0 4.0	4.4 4.4 4.05	BF T1-RB NIFF-S	CR CR SR	Cr Fe Cr	Fe Fe Fe	E2DZ 6148 A

Engine Type	Exhaust quantity (c.c.)	Vehicle Model Chassis Type	NPR Catalog Code	Cyl No.	Position	Size (mm)			Shape	Material	Surface Treatment		Reference
						d 1 (D)	h 1 (B)	a 1 (T)			Outside	Upper/Lower	
ESSEX V6 38 ESSEX V6 42	3,802	Windstar	SWF30004ZZ	V6	1st	96.8	1.5	3.3	BF	SR	GN	GN	F6ZZ 6148 A 2L3Z 6148 KA
	4,195	Mustang			2nd	96.8	1.5	4.2	T1-RB	CR	Fe	Fe	
		Cougar			Oil	96.8	3.0	3.2	NIFF-S	SR	GN	GN	
COLOGNE 40	4,015	Explorer	SWF30012ZZ	V6	1st	100.4	1.2	3.5	BF	SR	GN	GN	2U3Z 6148 AA
		Mustang			2nd	100.4	1.5	4.2	TUC	CR	Fe	Fe	
		Mountaineer			Oil	100.4	3.0	3.25	NIFF-S	SR	Cr	Fe	
BOSS 62	6,211	F150	SWF30032ZZ	V8	1st	102.0	1.5	3.3	BF	SR	GN	GN	AU7Z-6148-G
		F250			2nd	102.0	1.5	4.3	TUH	CR	Fe	Fe	
		F350 Super Duty			Oil	102.0	2.5	3.0	NIFF-H	SR	Cr	Fe	

● Diesel-engine Automobiles ● ディーゼル車 ●

Engine Type	Exhaust quantity (c.c.)	Vehicle Model Chassis Type	NPR Catalog Code	Cyl No.	Position	Size (mm)			Shape	Material	Surface Treatment		Reference
						d 1 (D)	h 1 (B)	a 1 (T)			Outside	Upper/Lower	
POWER STROKE 6.0	5,954	Econoline E350	SDF30029ZZ	V8	1st	95.0	2.2	3.7	BF-K1	SR	GN	GN	3C3Z 6148 AA 4C3Z 6148 AA
		Excursion			2nd	95.0	2.0	4.2	T1-RB	CR	Fe	Fe	
		F250/F350 F450/F550			Oil	95.0	3.5	3.75	E-BC16	CR	Cr	Fe	
POWER STROKE 6.4	6,399	F250	SDF30022ZX	V8	1st	98.2	2.35	3.5	BF-K1	SR	GN	GN	8C3Z 6148 AA
		F350			2nd	98.2	2.0	4.3	T1-RB	CR	Fe	Fe	
		F450			Oil	98.2	3.0	3.25	E-BC16	SR	GN	GN	
POWER STROKE 6.7T	6,651	Econoline E450	SDF30025ZZ	V8	1st	99.0	2.85	3.6	BF-K1	HB	Cr	Fe	BC3Z 6148 A
		Econoline E550			2nd	99.0	2.0	3.6	TUC	CR	Fe	Fe	
		F250 F350 F450 F550			Oil	99.0	2.5	2.85	E-BC16	SR	GN	GN	
POWER STROKE 7.3T	7,276	Econoline	SDF30020ZX	V8	1st	104.4	3.0	3.9	BF-K1	SR	GN	GN	F81Z 6148 AA F7TZ 6148 AA
		Excursion			2nd	104.4	2.0	4.0	T1-RB	CR	Fe	Fe	
		F250 F350 F450 F550 F650			Oil	104.4	3.5	3.85	E-BC16	CR	Cr	Fe	

● Gasoline-engine Automobiles ● ガソリン車 ●

Engine Type	Exhaust quantity (c.c.)	Vehicle Model Chassis Type	NPR Catalog Code	Cyl No.	Position	Size (mm)			Shape	Material	Surface Treatment		Reference
						d 1 (D)	h 1 (B)	a 1 (T)			Outside	Upper/Lower	
S-TEC II 1.0L	996	Spark	SWG10045ZZ	4	1st	68.5	1.2	2.65	BF-IB	SR	Cr	Fe	93745491
					2nd	68.5	1.2	2.8	T1	CR	Fe	Fe	
					Oil	68.5	2.0	2.55	NIFF-H	SR	Cr	Fe	
S-TEC II 1.2L	1,206	Spark Aveo Sail	SWG10033ZZ	4	1st	69.7	1.2	2.65	BF-IB	SR	Cr	Fe	93744884
					2nd	69.7	1.2	2.8	T1	CR	Fe	Fe	
					Oil	69.7	2.0	2.4	NIFF-H	SR	Cr	Fe	
B12D LAQ	1,206	N200 N300	SWG10047ZZ	4	1st	69.7	1.2	2.5	BF	SR	GN	GN	24545481
					2nd	69.7	1.2	2.8	T1	HB	Fe	Fe	
					Oil	69.7	2.0	2.5	NIFF-H	SR	GN	GN	
ECOTEC I4 ECOTEC LLO	1,249	Chevrolet Spark	SWG10051ZZ	4	1st	70.5	1.0	2.3	BF	SR	GN	GN	25191142
					2nd	70.5	1.2	2.55	TUC	CR	Fe	Fe	
					Oil	70.5	2.0	1.95	NIFF-H	SR	GN	GN	
C10NE	999	Corsa Meriva	SWG10055ZZ	4	1st	71.08	1.5	3.0	BF	HB	Cr	Fe	
					2nd	71.08	1.5	3.0	T1	CR	Fe	Fe	
					Oil	71.08	3.0	3.35	NIFF-S	SR	Cr	Fe	
ECOTEC LUJ	1,364	Cruze Encore Sonic Trax	SWG10061ZZ	4	1st	72.5	1.2	2.7	BF-IB	SR	GN	GN	25195065 55571045
					2nd	72.5	1.2	3.0	TUH	CR	Fe	Fe	
					Oil	72.5	2.0	2.6	NIFF-H	SR	Cr	Fe	
S-TEC III 1.4L	1,399	Sail Spin	SWG10034ZZ	4	1st	73.8	1.2	2.5	BF-IB	SR	GN	GN	93736247
					2nd	73.8	1.2	2.8	TUC	HB	Fe	Fe	
					Oil	73.8	2.0	2.45	NIFF-H	SR	GN	GN	
ECOTEC LYX 1.5L (TURBO)	1,490	Equinox Terrain	SWG10058ZZ (TCC-M-0137)	4	1st	74.0	1.2	2.7	BF	SR	GN	GN	12682502
					2nd	74.0	1.2	2.9	TUC	CR	Fe	Fe	
					Oil	74.0	2.0	2.8	NIFF-H	SR	GN	GN	
S-TEC III 1.5L	1,485	Sail Spin	SWG10046ZZ	4	1st	74.71	1.0	2.25	BF	SR	Cr	Fe	25190067
					2nd	74.71	1.2	2.8	TUC	CR	Fe	Fe	
					Oil	74.71	2.0	2.2	NIFF-H	SR	GN	GN	
E-TEC I 1.3L 13N 13S	1,297	Corsa 1.3	SWG10041ZZ	4	1st	75.0	1.5	3.25	BF-IB	SR	Cr	Fe	93244958
					2nd	75.0	1.5	3.3	T1-IB	CR	Fe	Fe	
					Oil	75.0	3.0	2.9	NIFF-S	SR	Cr	Fe	
E-TEC II 1.5L LV8	1,498	Chevy Taxi Aveo	SWG10030ZZ	4	1st	76.5	1.5	3.1	BF	HB	Cr	Fe	93742961
					2nd	76.5	1.5	3.2	TUC	CR	Fe	Fe	
					Oil	76.5	2.0	2.7	NIFF-H	SR	Cr	Fe	
E-TEC I 1.4L X14XE1	1,389	Corsa 1.4 Evolution	SWG10028ZZ	4	1st	77.6	1.5	2.85	BF-IB	SR	Cr	Fe	93227616
					2nd	77.6	1.5	3.2	TUC	CR	Fe	Fe	
					Oil	77.6	3.0	3.2	NIFF-S	SR	Cr	Fe	
F14D3 85CB 89CB	1,796	Lacetti	SWG10026ZZ	4	1st	77.88	1.2	2.85	BF	SR	Cr	Fe	93740229
					2nd	77.88	1.5	3.3	TUC	CR	Fe	Fe	
					Oil	77.88	2.5	2.9	NIFF-H	SR	Cr	Fe	
E-TEC I 1.6L X16XE1	1,598	Corsa 1.6	SWG10029ZZ	4	1st	79.0	1.2	3.05	BF	SR	Cr	Fe	93235611
					2nd	79.0	1.5	3.3	TUC	CR	Fe	Fe	
					Oil	79.0	3.0	3.0	NIFF-S	SR	Cr	Fe	

Engine Type	Exhaust quantity (c.c.)	Vehicle Model Chassis Type	NPR Catalog Code	Cyl No.	Position	Size (mm)			Shape	Material	Surface Treatment		Reference
						d 1 (D)	h 1 (B)	a 1 (T)			Outside	Upper/Lower	
E-TEC II 1.6L L91	1,598	Sonic Aveo Aveo5 Cruze G3(Pontiac)	SWG10054ZZ (TCC-J-0068)	4	1st	79.0	1.2	2.7	BF	SR	GN	GN	55581399 93744928
					2nd	79.0	1.2	3.2	TUC	CR	Fe	Fe	
					Oil	79.0	2.0	2.95	NIFF-H	SR	GN	GN	
E-TEC I 1.8L X18XE1	1,796	Corsa 1.8 Evolution	SWG10035ZZ	4	1st	80.5	1.2	3.1	BF	SR	GN	GN	93332835
					2nd	80.5	1.2	3.0	T1	CR	Fe	Fe	
					Oil	80.5	2.0	3.0	NIFF-H	SR	Cr	Fe	
ECOTEC LUW	1,796	Astra Cruze Sonic	SWG10056ZZ	4	1st	80.5	1.2	3.1	BF	SR	GN	GN	55568927 95507585
					2nd	80.5	1.2	3.2	TUC	CR	Fe	Fe	
					Oil	80.5	2.0	2.75	NIFF-H	SR	GN	GN	
SATURN I4 LLO SATURN I4 LKO	1,901	SC SC1 SC2	SWG10020ZX	4	1st	82.0	1.5	3.05	BF	SR	Cr	Fe	21006715 21006721
					2nd	82.0	1.5	3.5	TUC	CR	Fe	Fe	
					Oil	82.0	3.0	3.2	NIFF-S	SR	Cr	Fe	
SATURN I4 L24 SATURN I4 LLO	1,901	SI SC1 SC2	SWG10021ZY	4	1st	82.0	1.2	2.85	BF	SR	Cr	Fe	21007180
					2nd	82.0	1.5	3.5	TUC	CR	Fe	Fe	
					Oil	82.0	3.0	3.2	NIFF-S	SR	Cr	Fe	
ECOTEC LSJ ECOTEC 2.2 L61 ECOTEC 2.2 LAP	1,998	Cobalt G5 Alero	SWG10019ZY	4	1st	86.0	1.2	2.9	BF	SR	GN	GN	21018813
	2,196				2nd	86.0	1.5	3.5	TUC	CR	Fe	Fe	
					Oil	86.0	2.5	2.85	NIFF-S	SR	Cr	Fe	
ELLESMERE L81	2,962	Catera L300 LS2	SWG10016ZZ	V6	1st	86.0	1.2	2.9	BF	SR	GN	GN	9118853
					2nd	86.0	1.5	3.5	TUC	CR	Fe	Fe	
					Oil	86.0	3.0	3.05	NIFF-S	SR	GN	GN	
CID 121 GM 122 2.0L	1,983	Sunbird Skyhawk	SWG10010ZZ	4	1st	86.0	1.5	3.3	BF	SR	GN	GN	52273305 52273308
	1,999				2nd	86.0	1.5	3.6	TUC	CR	Fe	Fe	
					Oil	86.0	3.0	3.05	NIFF-S	SR	GN	GN	
ECOTEC LNF ECOTEC 2.2 LAP	1,998	Chevrolet Captexiva Sports	SWG10032ZX	4	1st	86.0	1.2	3.1	BF	SR	GN	GN	89018107
	2,201				2nd	86.0	1.5	3.5	TUC	CR	Fe	Fe	
					Oil	86.0	2.0	2.75	NIFF-H	SR	GN	GN	
Northstar L47	3,995	Aurora	SWG10015ZY	V8	1st	87.0	1.2	2.9	BF	SR	Cr	Fe	12555219
					2nd	87.0	1.5	3.6	TUC	CR	Fe	Fe	
					Oil	87.0	3.0	2.85	NIFF-S	SR	Cr	Fe	
ECOTEC 2.4L ECOTEC 2.5L	2,384	Equinox LaCrosse Regal HHR Maribu Verano Impala Hybrid Regal Hybrid Terrain	SWG10048ZZ	4	1st	88.0	1.2	2.9	BF-IB	SR	GN	GN	12659419
	2,457				2nd	88.0	1.5	4.0	TUC	CR	Cr	Fe	
					Oil	88.0	2.0	2.45	NIFF-H	SR	Cr	Fe	

DAIHATSU
SUZUKI
HINO
HONDA
ISUZU
KOMATSU
MAZDA
MITSUBISHI
NISSAN
UD TRUCKS
SUZUKI
TOYOTA
DAEWOO
HYUNDAI
KIA
ASIA
CHRYSLER
FORD
GM

Engine Type	Exhaust quantity (c.c.)	Vehicle Model Chassis Type	NPR Catalog Code	Cyl No.	Position	Size (mm)			Shape	Material	Surface Treatment		Reference
						d 1 (D)	h 1 (B)	a 1 (T)			Outside	Upper/Lower	
GM 60°L82 GM 60°LG8	3,136	Lumina Monte Carlo Century	SWG10004ZZ	V6	1st	89.0	1.2	3.5	BF	SR	GN	GN	12538683
					2nd	89.0	1.5	3.6	TUC	CR	Fe	Fe	12481987
					Oil	89.0	3.0	2.85	NIFF-S	SR	GN	GN	
GM 60°LE2	2,835	Citation II S-15 Jimmy S-15 Pickup	SWL03235ZX	V6	1st	89.0	1.5	3.25	BF-IB	SR	Cr	Fe	14034969
					2nd	89.0	2.0	4.05	T1	CR	Fe	Fe	
					Oil	89.0	4.76	3.85	NIFF-S	SR	Cr	Fe	
ALLOYTEC 3.2	3,195	Winstorm Winstorm MaXX Captive Captive MaXX Antara Escudo	SWG10044ZZ	V6	1st	89.0	1.2	3.1	BF-IB	SR	GN	GN	92068446
					2nd	89.0	1.5	3.25	TUC	CR	Fe	Fe	
					Oil	89.0	2.5	2.85	NIFF-S	SR	GN	GN	
QUAD-4 LD9	2,392	Cabaler Grand AM Malibu	SWG10022ZX	4	1st	90.0	1.2	3.3	BF	SR	GN	GN	24575965
					2nd	90.0	1.5	3.8	T1-RB	CR	Fe	Fe	
					Oil	90.0	3.0	3.25	NIFF-S	SR	Cr	Fe	
QUAD-4 LGO	2,254	Achieva Skylark Grand AM	SWG10014ZZ	4	1st	92.0	1.5	3.3	BF	SR	GN	GN	22548439
					2nd	92.0	1.5	3.7	T1-RB	CR	Fe	Fe	
					Oil	92.0	3.0	3.05	NIFF-S	SR	GN	GN	
GM 60°LA1	3,392	Montana Alero Grand AM	SWG10001ZZ	V6	1st	92.0	1.2	3.3	BF	SR	Cr	Fe	12537866
					2nd	92.0	1.5	3.7	T1	CR	Fe	Fe	
					Oil	92.0	4.0	3.65	NIFF-S	SR	Cr	Fe	
GM 60°LA1	3,392	Alero Aztek	SWG10009ZZ	V6	1st	92.0	1.2	3.3	BF	SR	GN	GN	12481322
					2nd	92.0	1.5	3.8	T1-RB	CR	Fe	Fe	
GM 60°LHJ	3,350	Grand AM			Oil	92.0	3.0	2.55	NIFF-S	SR	GN	GN	
NORTHSTAR L37	4,605	Allante Deville Eldorado	SWG10008ZZ	V8	1st	93.0	1.5	3.3	BF	SR	GN	GN	3543903
					2nd	93.0	1.5	3.9	TUC	CR	Fe	Fe	
					Oil	93.0	3.0	2.85	NIFF-S	SR	GN	GN	
NORTHSTAR L37	4,605	Deville Eldorado Seville	SWG10013ZZ	V8	1st	93.0	1.2	3.5	BF	SR	GN	GN	89017431
					2nd	93.0	1.5	3.9	TUC	CR	Fe	Fe	
					Oil	93.0	3.0	2.85	NIFF-S	SR	GN	GN	
CADILLAC V8 LD8 NORTHSTAR LD8 NORTHSTAR LH2 NORTHSTAR L37	4,605	Deville Eldorado Seville	SWG10011ZZ	V8	1st	93.03	1.2	3.5	BF	SR	GN	GN	89017413
					2nd	93.03	1.5	3.9	TUC	CR	Fe	Fe	
					Oil	93.03	2.5	2.6	NIFF-S	SR	GN	GN	
POWER TECH4.7	4,703												
BUICK 3300	3,343	Cutlass Ciera Cutlass Cruiser	SWG10012ZZ	V6	1st	94.0	1.5	3.5	BF	SR	GN	GN	24501330
					2nd	94.0	1.5	3.7	T1-RB	CR	Fe	Fe	
					Oil	94.0	3.0	3.2	NIFF-S	SR	GN	GN	
HIGH VALUE LX9	3,498	G6 Malibu Montana Relay Rendezvous	SWG10038ZX	V6	1st	94.0	1.2	3.3	BF	SR	GN	GN	12584525
					2nd	94.0	1.5	3.7	T1-RB	CR	Fe	Fe	
					Oil	94.0	2.5	2.7	NIFF-H	SR	Cr	Fe	

Engine Type	Exhaust quantity (c.c.)	Vehicle Model Chassis Type	NPR Catalog Code	Cyl No.	Position	Size (mm)			Shape	Material	Surface Treatment		Reference
						d 1 (D)	h 1 (B)	a 1 (T)			Outside	Upper/Lower	
ALLOYTEC LY7	3,564	Chevrolet Captexiva Sports	SWG10039ZZ	V6	1st	94.0	1.2	2.9	BF-IB	SR	GN	GN	12608615
					2nd	94.0	1.5	3.4	TUC	CR	Fe	Fe	
					Oil	94.0	2.5	2.5	NIFF-H	SR	Cr	Fe	
LLT LLE	3,564	Camaro Acadia CTS	SWG10052ZZ	V6	1st	94.0	1.2	3.3	BF	SR	GN	GN	12616973
					2nd	94.0	1.5	3.4	TUC	CR	Fe	Fe	
					Oil	94.0	2.5	2.5	NIFF-H	SR	Cr	Fe	
VORTEC 3700 LLR ATLAS LLR	3,653	Canyon Colorado H3	SWG10036ZZ	5	1st	95.5	1.2	3.3	BF	SR	GN	GN	89018219
					2nd	95.5	1.5	3.7	TUC	CR	Fe	Fe	
					Oil	95.5	2.5	2.85	NIFF-S	SR	Cr	Fe	
VORTEC 2900 LLV	2,921	Canyon Colorado	SWG10037ZZ	4	1st	95.5	1.2	3.3	BF	SR	GN	GN	89018219
					2nd	95.5	1.5	3.7	TUC	CR	Fe	Fe	
					Oil	95.5	2.5	2.85	NIFF-S	SR	Cr	Fe	
ECOTEC3 L83	5,328	Express G1500 Sierra 1500 Sierra 1500 Denali Silverado 1500 Suburban Tahoe Yukon Yukon XL	SWG10059ZZ	V8	1st	96.0	1.2	3.3	BF	SR	GN	GN	12663865
					2nd	96.0	1.5	3.7	TUH	CR	Fe	Fe	
					Oil	96.0	2.5	3.0	NIFF-H	SR	Cr	Fe	
VORTEC 4800 LR4 VORTEC 4800 LY2 VORTEC 5300 III VORTEC 5300 IV VORTEC 5300 LH6 VORTEC 5300 LH8 VORTEC 5300 LM7 VORTEC 5300 LS4	4,818	Savana Express Sierra 1500	SWG10005ZZ	V8	1st	96.01	1.5	3.3	BF	SR	GN	GN	12456338
	5,328				2nd	96.01	1.5	4.0	TUC	CR	Fe	Fe	
					Oil	96.01	3.0	3.2	NIFF-S	SR	GN	GN	
Buick V6 L27 Buick V6 L67	3,785	Ninety Eight Eighty Eight Bonneville	SWG10006ZZ	V6	1st	96.5	1.2	3.5	BF	SR	GN	GN	24502947
	3,791				2nd	96.5	1.5	3.8	T1-RB	CR	Fe	Fe	
					Oil	96.5	3.0	2.85	NIFF-S	SR	GN	GN	
Oldsmobile V8 307	5,031	Caprice Cutlass Delta 88 Electra Ninety Eight	SWG10023ZY	V8	1st	96.5	2.0	3.5	BF	SR	GN	GN	22529562
					2nd	96.5	2.0	4.4	T1-RB	CR	Fe	Fe	
					Oil	96.5	4.76	4.05	NIFF-S	SR	Cr	Fe	
BUICK V6 L26 BUICK V6 L36	3,785	LSS Bonneville Park avenue	SWG10003ZZ	V6	1st	96.52	1.2	3.5	BF	SR	GN	GN	12480825 12537410
	3,791				2nd	96.52	1.5	3.8	T1-RB	CR	Fe	Fe	
					Oil	96.52	2.0	2.8	NIFF-H	SR	GN	GN	
HI VALUE LZE	3,510	Monte Carlo Malibu Pontiac G6	SWG10049ZZ	V6	1st	99.0	1.2	3.3	BF	SR	GN	GN	89018067 89018068
					2nd	99.0	1.5	3.75	TUC	CR	Fe	Fe	
					Oil	99.0	2.5	2.85	NIFF-S	SR	GN	GN	

Engine Type	Exhaust quantity (c.c.)	Vehicle Model Chassis Type	NPR Catalog Code	Cyl No.	Position	Size (mm)			Shape	Material	Surface Treatment		Reference
						d 1 (D)	h 1 (B)	a 1 (T)			Outside	Upper/Lower	
VORTEC 5700 LS1 VORTEC 5700 LS6	5,670	Corvette GTO Camaro	SWG10018ZZ	V8	1st	99.0	1.5	3.5	BF	SR	GN	GN	12533556
					2nd	99.0	1.5	4.1	TUC	CR	Fe	Fe	88894247
					Oil	99.0	3.0	3.2	NIFF-S	SR	GN	GN	88894299
ECOTEC3 LV3	4,301	Cutaway Express Savana Sierra Silverado	SWG10062ZZ (TCC-M-0185)	V6	1st	99.6	1.2	3.55	BF	SR	GN	GN	12656882
					2nd	99.6	1.5	3.9	TUH	CR	Fe	Fe	12685186
					Oil	99.6	2.5	2.9	NIFF-S	SR	GN	GN	
VORTEC 6000	5,967	Chevrolet Avalanch	SWG10031ZX	V8	1st	101.6	1.2	3.5	BF	SR	GN	GN	89017484
					2nd	101.6	1.5	4.2	TUC	CR	Fe	Fe	
					Oil	101.6	2.5	2.55	NIFF-H	SR	Cr	Fe	
VORTEC 6200	6,162	Chevrolet Corvette Pontiac GTO Cadillac CTS	SWG10050ZZ	V8	1st	103.25	1.5	3.5	BF	SR	GN	GN	19168090
					2nd	103.25	1.5	4.7	TUC	CR	Fe	Fe	
					Oil	103.25	2.5	2.85	NIFF-H	SR	Cr	Fe	
ECOTEC3 L86	6,162	Escalade Escarade EXT Sierra 1500 Silverado 1500 Suburban Tahoe Yukon Yukon XL Yukon Denali	SWG10060ZZ	V8	1st	103.25	1.2	3.5	BF-IB	SR	GN	GN	12663867
					2nd	103.25	1.5	4.7	TUC	CR	Fe	Fe	12685185
					Oil	103.25	2.5	2.85	NIFF-H	SR	Cr	Fe	

● Diesel-engine Automobiles ● ディーゼル車 ●

Engine Type	Exhaust quantity (c.c.)	Vehicle Model Chassis Type	NPR Catalog Code	Cyl No.	Position	Size (mm)			Shape	Material	Surface Treatment		Reference
						d 1 (D)	h 1 (B)	a 1 (T)			Outside	Upper/Lower	
DURAMAX LWN (TURBO)	2,776	Colorado Canyon	SDG10063ZZ (TCC-N-0200)	4	1st	94.0	2.85	3.95	BF-K1	HB	Cr	Fe	24585029
					2nd	94.0	2.0	4.0	TUC	CR	Fe	Fe	
					Oil	94.0	2.0	2.74	E-BC16	SR	GN	GN	
GM 6.5	6,473	C3500 HD Chery Van Cutaway	SDG10024ZX	V8	1st	103.0	2.8	3.7	BF-K1-IB	SR	GN	GN	12369198
					2nd	103.0	2.0	4.1	T1-IB	CR	Fe	Fe	
					Oil	103.0	4.0	4.15	E-BC16	SR	GN	GN	
DURAMAX L5P	6,599	Silverado HD GMC Sierra HD Sierra 2500HD Sierra 3500 Silverado 2500HD Silverado 3500HD Silverado 4500HD Silverado 5500HD Silverado 6500HD	TCC-P-0736	V8	1st	103.0	2.948	3.9	BF-K1	SR	GN	GN	12686801
					2nd	103.0	2.0	4.4	T1-IC	CR	Cr	Fe	
					Oil	103.0	3.0	3.0	E-BC16	SR	GN	GN	

CYLINDER LINER



DAIHATSU

HINO

ISUZU

KOMATSU

MITSUBISHI

UD TRUCKS

TOYOTA

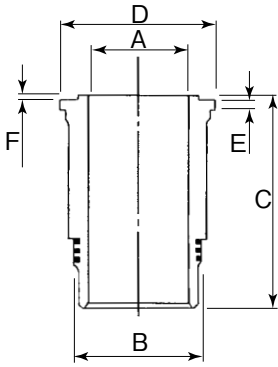
MAZDA

KIA

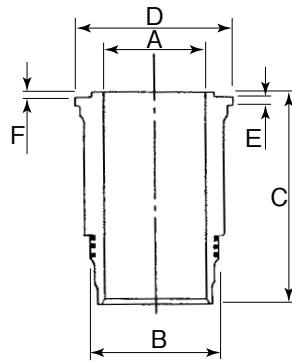
DAIHATSU
HINO
ISUZU
KOMATSU
MITSUBISHI
UD TRUCKS
TOYOTA
MAZDA
KIA

D01	D02	D03	D04
D05			
W01	W02	W03	W04
W05	W06	W07	W08

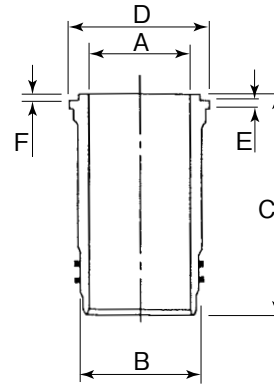
W09



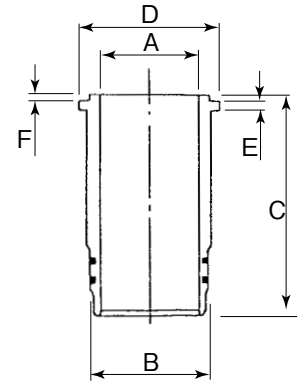
W10



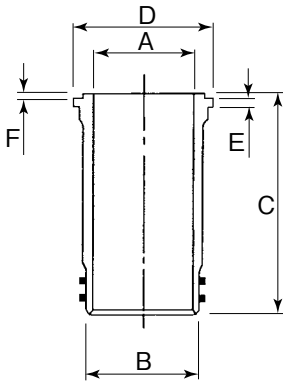
W11



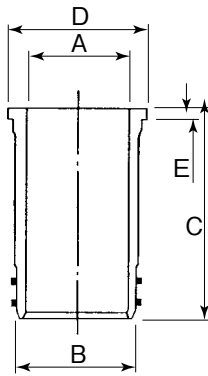
W12



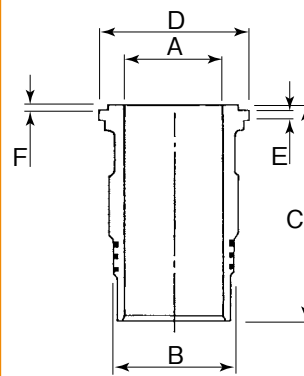
W13



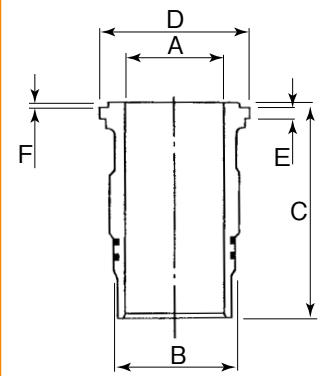
W14



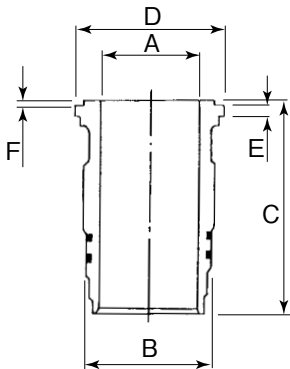
W15



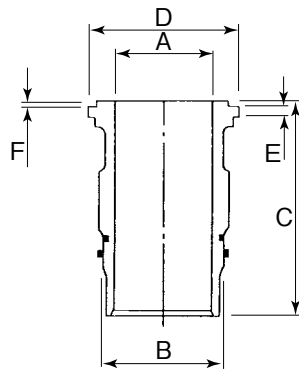
W16



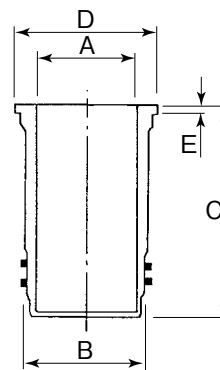
W17



W18



W19



Surface Treatment

- DC..... Water jacket only is chromium plated
- F..... Phosphated (all over)
- CF..... Outside chromium plated + phosphated
- CM..... Inside chromium plated
- NF..... Nitrided + Phosphated
- NON... Without any surface treatment

ライナ表面処理

- DC..... 外周 W/J 部のみクロムメッキ
- F..... 燐酸塩被膜処理
- CF..... 外周クロム + 燐酸塩皮膜処理
- CM..... 内周クロム
- NF..... 窒化 + 燐酸塩皮膜処理
- NON... 表面処理なし

The world standard cylinder liners



NIPPON PISTON RING CO.,LTD.

5-12-10, Honmachi-Higashi, Chuo-ku, Saitama City, Saitama, 338-8503 JAPAN

<http://www.npr.co.jp/>

Engine Type	Exhaust quantity (c.c.)	Cyl No.	NPR Product Code	Bore/A	Type	Surface	Finish/Semi	Size (mm)					Reference
								Grade	B	C	D	E	
DG	2,530	4	L12752-AC	88.00	D03	NON	F	1	93.00	182.00	97.00	7.00	992-5113-91171-6
			L12752-AC	88.00	D03	NON	F	2	93.00	182.00	97.00	7.00	992-5113-91171-7
			L12752-AC	88.00	D03	NON	F	3	93.00	182.00	97.00	7.00	992-5113-91171-8
DR	2,530	4	L12752-BB	87.60	D03	NON	S	1	93.00	182.00	97.00	3.00	11461-87380
			L12752-BB	87.60	D03	NON	S	2	93.00	182.00	97.00	3.00	11462-87380
			L12752-BB	87.60	D03	NON	S	3	93.00	182.00	97.00	3.00	11463-87380
DL	2,765	4	L15486-AA	91.60	D03	NON	S	1	96.00	182.00	101.00	3.00	11461-87303
			L15486-AA	91.60	D03	NON	S	2	96.00	182.00	101.00	3.00	11462-87303
			L15486-AA	91.60	D03	NON	S	3	96.00	182.00	101.00	3.00	11463-87303
DL (NEW)	2,765	4	L55903-AA	92.00	D03	NON	S		96.00	178.00	101.00	3.00	11461-87305

DAIHATSU

HINO

ISUZU

KOMATSU

MITSUBISHI

UD TRUCKS

TOYOTA

MAZDA

KIA

Engine Type	Exhaust quantity (c.c.)	Cyl No.	NPR Product Code	Bore/A	Type	Surface	Finish/Semi	Size (mm)					Reference
								Grade	B	C	D	E	
DM100	4,313	4	L12732-CC	90.00	W02	NON	F		104.50	198.50	110.00	9.00	11467-1330, -1401, -1440
EC100	5,010	4	L15137-BA	97.00	W02	NON	F		110.50	206.00	117.00	10.00	11467-1130
W04CTi	4,009	4	L16188CPB	104.00	D02	NF	F	A	107.00	200.00	112.00	8.00	11467-2181A
			L16188CQB	104.00	D02	NF	F	B	107.00	200.00	112.00	8.00	11467-2191A
			L16188CSB	104.00	D02	NF	F	C	107.00	200.00	112.00	8.00	11467-2211A
W04D W06D W06E N04C	5,759	4, 6	L16188DFA	104.00	D02	F	F	A	107.00	200.00	112.00	8.00	11467-1762A, 11461-78021
			L16188DGA	104.00	D02	F	F	B	107.00	200.00	112.00	8.00	11467-1772A, 11461-78031
			L16188DHA	104.00	D02	F	F	C	107.00	200.00	112.00	8.00	11467-1792A, 11461-78051
			L16188CTA	104.00	D03	F	F	W	107.00	201.00	112.00	8.00	11467-1761A
			L16188CUA	104.00	D03	F	F	X	107.00	201.00	112.00	8.00	11467-1771A
			L16188CVA	104.00	D03	F	F	Y	107.00	201.00	112.00	8.00	11467-1781A
			L16188CWA	104.00	D03	F	F	Z	107.00	201.00	112.00	8.00	11467-1791A
EH100	5,871	6	L16048-BE	105.00	D03	NON	F		110.00	206.00	115.00	8.00	11461-1060A
H06BTi H06BT	6,224	6	L16163BZA	105.80	D03	NF	F	W	110.00	204.00	118.00	8.00	11467-2740A, 11467-1921A
			L16163CAA	105.80	D03	NF	F	X	110.00	204.00	118.00	8.00	11467-2750A, 11467-1931A
			L16163CBA	105.80	D03	NF	F	Y	110.00	204.00	118.00	8.00	11467-2760A, 11467-1941A
			L16163CCA	105.80	D03	NF	F	Z	110.00	204.00	118.00	8.00	11467-2770A, 11467-1951A
EH300	6,211	6	L16071-ZA	108.00	D03	NON	F	AA	112.00	204.00	118.00	8.00	11467-1010A
			L16071AAA	108.00	D03	NON	F	BB	112.00	204.00	118.00	8.00	11467-1020B
EH700 H07CT	6,443	6	L16100AJA	110.00	D03	F	F	W	113.00	204.00	118.00	8.00	11467-1200, -1201, -1202
			L16100AKA	110.00	D03	F	F	X	113.00	204.00	118.00	8.00	11467-1210, -1211, -1212
			L16100ALA	110.00	D03	F	F	Y	113.00	204.00	118.00	8.00	11467-1220, -1221, -1222
			L16100AMA	110.00	D03	F	F	Z	113.00	204.00	118.00	8.00	11467-1230, -1231, -1232

Engine Type	Exhaust quantity (c.c.)	Cyl No.	NPR Product Code	Bore/A	Type	Surface	Finish/Semi	Size (mm)					Reference
								Grade	B	C	D	E	
EH500 H06CT	6,485	6	L16163BMA	108.00	D03	F	F	W	113.00	204.00	118.00	8.00	11467-1592A
			L16163BNA	108.00	D03	F	F	X	113.00	204.00	118.00	8.00	11467-1602A
			L16163BPA	108.00	D03	F	F	Y	113.00	204.00	118.00	8.00	11467-1612A
			L16163BQA	108.00	D03	F	F	Z	113.00	204.00	118.00	8.00	11467-1622A
H07BTi	6,224	6	L16567-DA	105.80	D03	F	F	W	113.00	203.00	118.00	8.00	11467-2900A
			L16567-EA	105.80	D03	F	F	X	113.00	203.00	118.00	8.00	11467-2910A
			L16567-FA	105.80	D03	F	F	Y	113.00	203.00	118.00	8.00	11467-2920A
			L16567-GA	105.80	D03	F	F	Z	113.00	203.00	118.00	8.00	11467-2930A
H08C J08 J05C	7,961	4, 6	L16521ECA	114.00	D02	F	F	A	117.00	203.00	122.00	8.00	11467-2601B
			L16521EKA	114.00	D02	F	F	A	117.00	203.00	122.00	3.00	11462-E0090
			L16521EDA	114.00	D02	F	F	B	117.00	203.00	122.00	8.00	11467-2611B / 11467-2790
			L16521ELA	114.00	D02	F	F	B	117.00	203.00	122.00	3.00	11463-E0060
			L16521EEA	114.00	D02	F	F	C	117.00	203.00	122.00	8.00	11467-2621B
			L16521EMA	114.00	D02	F	F	C	117.00	203.00	122.00	3.00	11464-E0060
			L16521DZA	114.00	D03	F	F	A	117.00	204.00	122.00	8.00	11467-2601A
			L16521EAA	114.00	D03	F	F	B	117.00	204.00	122.00	8.00	11467-2611A
			L16521EBA	114.00	D03	F	F	C	117.00	204.00	122.00	8.00	11467-2621A
J08BTi		6	L16567-LA	110.90	D03	NF	F	A	117.00	204.00	122.00	8.00	11467-3070A
			L16567-MA	110.90	D03	NF	F	B	117.00	204.00	122.00	8.00	11467-3080A
			L16567-NA	110.90	D03	NF	F	C	117.00	204.00	122.00	8.00	11467-3090A
YJ75 S05D			L16568-YB	114.00	D02	F	F	A	117.00	186.50	122.00	8.00	11467-2941A, 11461-78090
			L16568-ZB	114.00	D02	F	F	B	117.00	186.50	122.00	8.00	11467-2951A, 11461-78100
			L16568AAB	114.00	D02	F	F	C	117.00	186.50	122.00	8.00	11467-2961A, 11461-78110
J05D		4	L16568ADB	112.00	D02	F	F	A	117.00	186.50	122.00	8.00	11467-3170, S1146-73170
			L16568AEB	112.00	D02	F	F	B	117.00	186.50	122.00	8.00	11467-3180, S1146-73180
			L16568AFB	112.00	D02	F	F	C	117.00	186.50	122.00	8.00	11467-3190, S1146-73190

DAIHATSU

HINO

ISUZU

KOMATSU

MITSUBISHI

UD TRUCKS

TOYOTA

MAZDA

KIA

Engine Type	Exhaust quantity (c.c.)	Cyl No.	NPR Product Code	Bore/A	Type	Surface	Finish/Semi	Size (mm)					Reference
								Grade	B	C	D	E	
J08E		6	L16576-YB	112.00	D02	F	F	A	117.00	203.00	122.00	8.00	11467-3200B/S1146-73200
			L16576-ZB	112.00	D02	F	F	B	117.00	203.00	122.00	8.00	11467-3210B/S1146-73210
			L16576AAB	112.00	D02	F	F	C	117.00	203.00	122.00	8.00	11467-3220B/S1146-73220
			L16576BGA	112.00	D02	F	F	A	117.00	203.00	122.00	3.00	11462-E0080
			L16576BHA	112.00	D02	F	F	B	117.00	203.00	122.00	3.00	11463-E0050
			L16576BJA	112.00	D02	F	F	C	117.00	203.00	122.00	3.00	11464-E0050
A09		6	L16603-KA	112.00	D02	F	F	A	117.00	228.00	123.00	3.00	11462-E0010
			L16603-LA	112.00	D02	F	F	B	117.00	228.00	123.00	3.00	11463-E0010
			L16603-MA	112.00	D02	F	F	C	117.00	228.00	123.00	3.00	11464-E0010
P09BTi P09BT			L16227ABA	117.80	D03	NF	F	A	122.80	234.70	132.00	8.00	11467-2100A, 1970A
			L16227ACA	117.80	D03	NF	F	B	122.80	234.70	132.00	8.00	11467-2110A, 1980A
			L16227ADA	117.80	D03	NF	F	C	122.80	234.70	132.00	8.00	11467-2120A, 1990A
P10CTI			L16561-LA	117.80	D03	NF	F	A	122.80	222.80	132.00	8.00	11467-2810A
			L16561-MA	117.80	D03	NF	F	B	122.80	222.80	132.00	8.00	11467-2820A
			L16561-NA	117.80	D03	NF	F	C	122.80	222.80	132.00	8.00	11467-2830A
EP100	8,821	6	L16183DSA	120.00	D03	F	F	A	125.00	236.00	132.00	8.00	11467-1731A
			L16183DTA	120.00	D03	F	F	B	125.00	236.00	132.00	8.00	11467-1741
			L16183DUA	120.00	D03	F	F	C	125.00	236.00	132.00	8.00	11467-1751
P11C	10,520	6	L16536BHA	122.00	D03	F	F	A	127.00	229.00	134.00	8.00	11467-3130A
			L16536BJA	122.00	D03	F	F	B	127.00	229.00	134.00	8.00	11467-3140A
			L16536BKA	122.00	D03	F	F	C	127.00	229.00	134.00	8.00	11467-3150A
			L16536BHB	122.00	D02	F	F	A	127.00	228.00	134.00	8.00	11462-E0160
			L16536BJB	122.00	D02	F	F	B	127.00	228.00	134.00	8.00	11463-E0130
			L16536BKB	122.00	D02	F	F	C	127.00	228.00	134.00	8.00	11464-E0130

Engine Type	Exhaust quantity (c.c.)	Cyl No.	NPR Product Code	Bore/A	Type	Surface	Finish/Semi	Size (mm)					Reference
								Grade	B	C	D	E	
P11BTi		6	L16567-HA	121.99	D03	NF	F	A	127.00	229.00	134.00	8.00	11467-3000A
			L16567-JA	121.99	D03	NF	F	B	127.00	229.00	134.00	8.00	11467-3010A
			L16567-KA	121.99	D03	NF	F	C	127.00	229.00	134.00	8.00	11467-3020A
EL100		6	L16081-DC	116.00	W11	NON	F		129.00	222.80	138.00	9.00	11467-1240
EM100	9,419	6	L16125AJA	124.00	D03	F	F	A	129.00	236.00	134.00	8.00	11467-1661, -1662
			L16125AKA	124.00	D03	F	F	B	129.00	236.00	134.00	8.00	11467-1671, -1672A
M10U	9,880	6	L16218AEA	127.00	D03	F	F	A	130.30	236.00	135.20	8.00	11467-2000A
			L16218AFA	127.00	D03	F	F	B	130.30	236.00	135.20	8.00	11467-2010A
			L16218AGA	127.00	D03	F	F	C	130.30	236.00	135.20	8.00	11467-2020A
			L16218AHA	127.00	D03	F	F	D	130.30	236.00	135.20	8.00	11467-2030A
EB300 EB400		6	L16132-AB	120.00	W02	NON	F		136.00	287.30	143.00	11.10	11467-1180
E13C	12,913	6	L16577-QB	137.00	D03	F	F	A	142.00	251.00	149.60	5.00	11462-E0030
			L16577-RB	137.00	D03	F	F	B	142.00	251.00	149.60	5.00	11463-E0030
			L16577-SB	137.00	D03	F	F	C	142.00	251.00	149.60	5.00	11464-E0030
ED100	11,581	6	L12770-RC	128.00	W11	NON	F		144.00	291.00	151.00	11.10	11461-1010B, 11467-1370A
EF100	13,804	8	L12742-EJ	130.00	W11	NON	F		146.00	247.80	157.00	12.12	11467-1110
EG100	14,886	6	L16035-AH	135.00	W11	NON	F		151.00	247.80	162.00	12.10	11467-1120
EF300	14,886	8	L16086-GA	132.00	W11	NON	F		151.00	247.80	162.00	13.62	11467-1071
F20C V25C	19,688 24,610	8, 10	L16512BUA	146.00	D03	F	F	A	152.00	244.60	159.00	8.00	11467-2280B, 2490A
			L16512BVA	146.00	D03	F	F	B	152.00	244.60	159.00	8.00	11467-2290B, 2500A
			L16512BWA	146.00	D03	F	F	C	152.00	244.60	159.00	8.00	11467-2300B, 2510A
EF500		8	L16093-BA	135.00	W11	NON	F		153.00	247.80	165.00	13.62	11467-1101
EF700 EF750	16,745	8	L16094-GB	137.00	W11	NON	F		153.00	247.80	165.00	12.12	11461-1081C 11467-1091B (11461-1480B) (11467-1900A)
EF550	16,260	8	L16179-BC	135.00	W11	NON	F		153.00	247.80	165.00	12.12	11467-1690

Engine Type	Exhaust quantity (c.c.)	Cyl No.	NPR Product Code	Bore/A	Type	Surface	Finish/Semi	Size (mm)				Reference	
								Grade	B	C	D		E
EK100 K13D	13,267	6	L16195-GB	137.00	W11	NON	F		153.00	266.80	164.00	12.12	11467-1080, 11467-1650, 11467-1910
F17D	17,238	8	L16523-AC	137.00	W11	F	F		153.00	248.00	165.00	12.00	11467-2270
YJ38 K13C	12,882	6	L16542-TC	135.00	W11	F	F		153.00	266.80	164.00	12.08	11467-1960A, 11467-2380B
F17C	16,745	8	L16706-AA	139.00	W11	F	F		154.00	248.00	166.00	12.00	11467-1702A (w/o outside chromium plating)
F20CE	19,688	8	L16512CAA	146.00	D03	F	F	D	154.00	244.60	161.00	8.50	11467-2680A
			L16512CBA	146.00	D03	F	F	E	154.00	244.60	161.00	8.50	11467-2690A
			L16512CCA	146.00	D03	F	F	F	154.00	244.60	161.00	8.50	11467-2700A
F21C	20,781	8	L16555-YA	150.00	D03	F	F	D	154.00	244.60	161.00	8.50	11467-3030A, -2650A
			L16555-ZA	150.00	D03	F	F	E	154.00	244.60	161.00	8.50	11467-3040A, -2660A
			L16555AAA	150.00	D03	F	F	F	154.00	244.60	161.00	8.50	11467-3050A, -2670A
F21C V26C	20,781 25,977	8, 10	L16555-TB	150.00	D03	F	F		154.00	244.60	161.00	8.50	11467-2650A
K13BTI		6	L16543-AA	132.90	W03	NF	F		155.00	266.80	164.00	12.08	11461-1810A, 11467-2480A
V22C	21,548	10	L16504-BB	139.00	W11	NON	F		156.00	247.80	167.00	12.10	11467-2130
V22D	21,548	10	L16504-ND	139.00	W11	F	F		156.00	247.80	167.00	12.00	11467-2320

Engine Type	Exhaust quantity (c.c.)	Cyl No.	NPR Product Code	Bore/A	Type	Surface	Finish/Semi	Size (mm)				Reference	
								Grade	B	C	D		E
C190	1,951	4	L65001-DA	86.00	D04	CM	F		88.00	163.00	94.00	0.82	8-97176-659-0/660-0 8-97176-661-0/662-0 8-97176-663-0/664-0 8-97176-665-0/666-0
C240	2,369	4	L65002-DA	86.00	D04	CM	F		88.00	178.00	94.00	0.82	8-97176-896-0/897-0 8-97176-898-0/899-0 8-97176-900-0/901-0 8-97176-902-0/903-0
C223	2,238	4	L65003-DA	88.00	D04	CM	F		90.00	163.00	95.00	0.82	8-97176-675-0/676-0 8-97176-677-0/678-0 8-97176-679-0/680-0 8-97176-681-0/682-0
4JA1		4	L65004-DA	93.00	D04	CM	F		95.00	156.00	101.00	0.82	8-97176-691-0/692-0 8-97176-693-0/694-0 8-97176-695-0/696-0 8-97176-697-0/698-0
4JB1	2,771	4	L65005-DA	93.00	D04	CM	F		95.00	181.00	101.00	0.82	8-97176-683-0/684-0 8-97176-685-0/686-0 8-97176-687-0/688-0 8-97176-689-0/690-0
4JG2 4JH1 4JH1T	3,059	4	L65013-DA	95.40	D04	CM	F		97.00	178.00	102.42	1.15	8-97176-699-0/700-0 8-97176-701-0/702-0 8-97176-703-0/704-0 8-97176-705-0/706-0
4BA1		4	L65006-DA	98.00	D04	CM	F		101.00	156.00	108.00	1.32	8-97176-904/905 8-97176-906/907 8-97176-908/909 8-97176-910/911
4BC2		4	L66007-DA	102.00	D04	CM	F		105.00	187.00	112.00	1.32	8-97176-707-1/708-1 8-97176-709-1/710-1 8-97176-711-1/712-1 8-97176-713-1/714-1
6BB1 6BD1 6BD1T 4BB1 4BD1 4BD1T		4, 6	L66008-DA	102.00	D04	CM	F		105.00	204.00	112.00	1.32	1-11261-240-0/241-0 1-11261-242-0/243-0 1-11261-244-0/245-0 1-11261-246-0/247-0

DAIHATSU

HINO

ISUZU

KOMATSU

MITSUBISHI

UD TRUCKS

TOYOTA

MAZDA

KIA

Engine Type	Exhaust quantity (c.c.)	Cyl No.	NPR Product Code	Bore/A	Type	Surface	Finish/Semi	Size (mm)					Reference
								Grade	B	C	D	E	
4BE1		4	L66009-DA	105.00	D04	CM	F		107.00	187.00	113.00	1.32	8-97176-715-0/716-0 8-97176-717-0/718-0 8-97176-719-0/720-0 8-97176-721-0/722-0
6BG1		6	L66010-DA	105.00	D04	CM	F		107.00	203.00	113.00	1.32	1-11261-248-0/249-0 1-11261-250-0/251-0 1-11261-252-0/253-0 1-11261-254-0/255-0
6HE1TC	7,172	6	L16549-QC	110.00	D02	F	F	1X	113.00	210.00	119.70	6.00	8-94391-600-0
			L16549-RC	110.00	D02	F	F	3X	113.00	210.00	119.70	6.00	8-94391-601-0
			L16549-BE	110.00	D02	F	F		113.00	210.00	119.70	6.00	8-94394-563-1
DA120	6,126	6	L22090ALA	100.00	W03	NON	F	A	113.00	220.00	116.00	10.00	9-11261-301-1
			L22090AJB	100.00	W03	NON	F	B	113.00	220.00	119.00	8.00	9-11261-095-0, 9-11261-095-1, 9-11261-287-1
DA640	6,373	6	L22498-KA	102.00	W19	NON	F		113.00	220.00	119.00	8.00	9-11261-293-0
			L22540-UB	102.00	W19	NON	F		113.00	228.00	119.00	8.00	9-11261-288-0, 9-87692-096
4HE1	4,751	4	L66014BCA	110.00	D03	F	F	OD=1X	115.00	210.00	120.70	5.65	8-97176-723 / 724
			L66014CCA	110.00	D03	F	F	OD=3X	115.00	210.00	120.70	5.65	8-97176-725 / 726
4HF1 6HF1	4,334	4,	L16639-AA	112.00	D02	F	F	OD=1X	115.00	180.00	121.70	6.00	8-97176-727 8-94389-276
		6	L16639-BA	112.00	D02	F	F	OD=3X	115.00	180.00	121.70	6.00	8-97176-728 8-94389-276
6HH1 6HK1	8,226	6	L16549ADD	115.00	D02	F	F	1X	118.00	210.00	123.70	6.00	8-94391-602 8-94393-273 8-98014-046-0
			L16549AED	115.00	D02	F	F	3X	118.00	210.00	123.70	6.00	8-94391-603 8-94393-273 8-98014-047-0
6HL 4HL	4,777	4, 6	L16549-VD	115.00	D02	F	F	1X	118.00	183.00	123.70	6.00	8-98014-042-0 8-97600-240-2
	7,166		L16549-WD	115.00	D02	F	F	3X	118.00	183.00	123.70	6.00	8-98014-043-0 8-97600-241-2
4HG1	4,751	4	L16554-LC	115.00	D02	F	F	1X	118.00	180.00	123.70	6.00	8-98014-048-0
			L16554-MC	115.00	D02	F	F	3X	118.00	180.00	123.70	6.00	8-98014-049-0

Engine Type	Exhaust quantity (c.c.)	Cyl No.	NPR Product Code	Bore/A	Type	Surface	Finish/Semi	Size (mm)				Reference	
								Grade	B	C	D		E
6SA1	8,413	6	L16107AEA	115.00	D05	NON	F	1AX	119.00	216.00	125.70	6.00	1-11261-347-0
			L16107AFA	115.00	D05	NON	F	1CX	119.00	216.00	125.70	6.00	1-11261-348-0
			L16107AGA	115.00	D05	NON	F	2AX	119.00	216.00	125.70	6.00	1-11261-349-0
			L16107AHA	115.00	D05	NON	F	2CX	119.00	216.00	125.70	6.00	1-11261-350-0
			L16107AJA	115.00	D05	NON	F	3AX	119.00	216.00	125.70	6.00	1-11261-351-0
			L16107AKA	115.00	D05	NON	F	3CX	119.00	216.00	125.70	6.00	1-11261-352-0
6UZ1		6	L16640-AB	120.00	D05	NON	F	1X/AX	123.00	239.20	129.70	6.00	1-11261-368-1
			L16640-BB	120.00	D05	NON	F	1X/CX	123.00	239.20	129.70	6.00	1-11261-369-1
			L16640-CB	120.00	D05	NON	F	3X/AX	123.00	239.20	129.70	6.00	1-11261-370-1
			L16640-DB	120.00	D05	NON	F	3X/CX	123.00	239.20	129.70	6.00	1-11261-371-1
6UZ1-F		6	L16640-EB	120.00	D03	F	F	1X/AX	123.00	239.20	129.70	6.00	
			L16640-FB	120.00	D03	F	F	1X/CX	123.00	239.20	129.70	6.00	
			L16640-GB	120.00	D03	F	F	3X/AX	123.00	239.20	129.70	6.00	
			L16640-HB	120.00	D03	F	F	3X/CX	123.00	239.20	129.70	6.00	
6SD1 6SD1T	9,839	6	L16642-AA	120.00	D05	NON	F	1X/AX	123.00	239.20	129.70	6.00	1-11261-298-0
			L16642-BA	120.00	D05	NON	F	1X/CX	123.00	239.20	129.70	6.00	1-11261-299-0
			L16642-CA	120.00	D05	NON	F	3X/AX	123.00	239.20	129.70	6.00	1-11261-300-0
			L16642-DA	120.00	D05	NON	F	3X/CX	123.00	239.20	129.70	6.00	1-11261-301-0
6SD1-F	9,839	6	L16642-EA	120.00	D05	F	F	1X/AX	123.00	239.20	129.70	6.00	
			L16642-FA	120.00	D05	F	F	1X/CX	123.00	239.20	129.70	6.00	
			L16642-GA	120.00	D05	F	F	3X/AX	123.00	239.20	129.70	6.00	
			L16642-HA	120.00	D05	F	F	3X/CX	123.00	239.20	129.70	6.00	

DAIHATSU

HINO

ISUZU

KOMATSU

MITSUBISHI

UD TRUCKS

TOYOTA

MAZDA

KIA

Engine Type	Exhaust quantity (c.c.)	Cyl No.	NPR Product Code	Bore/A	Type	Surface	Finish/Semi	Size (mm)					Reference
								Grade	B	C	D	E	
10PA1 10PB1 12PA1 12PB1 8PA1 8PB1	9,971 12,464 14,957	8, 10, 12	L16047CNA	115.00	W11	NON	F		130.00	219.25	141.70	10.00	1-11261-063-0
PA1 PB1		8, 10, 12	L16047CYA	115.00	W11	NON	F	AX	130.00	219.25	141.70	10.00	1-11261-256-0
			L16047CZA	115.00	W11	NON	F	CX	130.00	219.25	141.70	10.00	1-11261-256-0
8PE1 10PE1 12PE1		8, 10, 12	L16531-PF	127.00	D02	F	F		130.60	233.00	136.60	6.00	1-11261-175-1
PE1		8, 10	L16531AHC	127.00	D02	F	F	1X	130.60	233.00	136.60	6.00	1-11261-202-0, 1-11261-372-1
			L16531AJC	127.00	D02	F	F	3X	130.60	233.00	136.60	6.00	1-11261-203-0, 1-11261-373-1
12PB1T	11,217 14,022 16,826	8, 10, 12	L16047CXA	115.00	W07	NON	F		133.00	219.25	143.70	10.00	1-11261-104-0
8PB1MTC		8, 10, 12	L16047CWB	115.00	W07	NON	F		133.00	219.25	143.70	10.00	1-11261-155-0
PC1	15,014	8, 10, 12	L16177-TA	119.00	W18	NON	F	AX	133.00	219.25	143.70	10.00	1-11261-264-0
			L16177-VA	119.00	W18	NON	F	AX	133.00	219.25	143.70	10.00	1-11261-272-0
			L16177-UA	119.00	W18	NON	F	CA	133.00	219.25	143.70	10.00	1-11261-265-0
			L16177-WA	119.00	W18	NON	F	CX	133.00	219.25	143.70	10.00	1-11261-273-0
			L16177-RA	119.00	W18	NON	F		133.00	219.25	143.70	10.00	1-11261-076-1
			L16177-SA	119.00	W18	NON	F		133.00	219.25	143.70	10.00	1-11261-111-0
			L16177-FG	119.00	W18	NON	F		133.00	219.25	143.70	10.00	1-11261-143-2
			L16177-ME	119.00	W18	NON	F		133.00	219.25	143.70	10.00	1-11261-145-2, 1-11261-147-2
10PD1	16,683	10	L56017ABA	119.00	W18	NON	F	ID=AX	133.00	234.30	143.70	10.00	1-11261-282
			L56017BBA	119.00	W18	NON	F	ID=CX	133.00	234.30	143.70	10.00	1-11261-283
			L56017-BA	119.00	W18	NON	F		133.00	234.30	143.70	10.00	1-11261-161

Engine Type	Exhaust quantity (c.c.)	Cyl No.	NPR Product Code	Bore/A	Type	Surface	Finish/Semi	Size (mm)					Reference
								Grade	B	C	D	E	
6WA1TC	12,068	6	L16520-WD	132.90	D02	F	F	1X	137.00	266.00	143.70	6.00	1-11261-362-1
			L16520-XD	132.90	D02	F	F	3X	137.00	266.00	143.70	6.00	1-11261-363-1
E110	9,203	6	L12538-QA	125.00	W16	NON	F		140.00	281.30	147.00	11.00	9-11261-228-0
6QA1	9,203	6	L12635-ZB	125.00	W16	NON	F		140.00	282.00	147.00	11.00	1-11261-061-1
D920	9,203	6	L12635AEA	125.00	W12	NON	F	AX	140.00	256.30	147.00	11.00	1-11261-335-0
			L12635AFA	125.00	W12	NON	F	CX	140.00	256.30	147.00	11.00	1-11261-336-0
6QA1	11,044	6	L56019AHA	125.00	W16	DC	F	ID=AX	140.00	257.00	147.00	5.65	1-11261-290
			L56019ABA	125.00	W16	NON	F	ID=AX	140.00	257.00	147.00	5.65	(1-11261-290)
			L56019BHA	125.00	W16	DC	F	ID=CX	140.00	257.00	147.00	5.65	1-11261-291
			L56019BBA	125.00	W16	NON	F	ID=CX	140.00	257.00	147.00	5.65	(1-11261-291)
			L56019-HA	125.00	W16	DC	F		140.00	257.00	147.00	5.65	1-11261-160
6RA1 6RB1	13,741	6	L12760ADA	135.00	D02	F	F	1	141.00	264.00	146.70	6.00	1-11261-204-0
			L12760AEA	135.00	D02	F	F	2	141.00	264.00	146.70	6.00	1-11261-208-0
6RB1MTC	13,741	6	L12760ABC	132.90	D03	F	F	1	141.00	265.90	146.70	6.00	1-11261-202-0
			L12760ACC	132.90	D03	F	F	2	141.00	265.90	146.70	6.00	1-11261-203-0
6RB1X	13,741	6	L12760-ZB	135.00	D02	F	F	1	141.00	264.00	146.70	6.00	1-11261-288-0
			L12760AAB	135.00	D02	F	F	2	141.00	264.00	146.70	6.00	1-11261-289-0
6WG1UMTC		6	L16552-TA	142.90	D05	F	F	1X	151.50	267.00	158.30	6.00	1-11261-392-0
			L16552-UA	142.90	D05	F	F	3X	151.50	267.00	158.30	6.00	1-11261-393-0

DAIHATSU

HINO

ISUZU

KOMATSU

MITSUBISHI

UD TRUCKS

TOYOTA

MAZDA

KIA

Engine Type	Exhaust quantity (c.c.)	Cyl No.	NPR Product Code	Bore/A	Type	Surface	Finish/Semi	Size (mm)					Reference
								Grade	B	C	D	E	
6WG1TC	15,681	6	L16552-FC	147.00	D05	F	F	1X	151.60	267.00	158.30	6.00	1-11261-333-2
			L16552-PC	147.00	D05	F	F	1X	151.60	267.00	158.30	6.00	1-11261-379-2
			L16552-GC	147.00	D05	F	F	3X	151.60	267.00	158.30	6.00	1-11261-334-2
			L16552-QC	147.00	D05	F	F	3X	151.60	267.00	158.30	6.00	1-11261-380-2
V170	15,513	8	L12694-PB	145.00	W09	NON	F		164.00	238.80	173.00	10.10	9-11261-274-0

Engine Type	Exhaust quantity (c.c.)	Cyl No.	NPR Product Code	Bore/A	Type	Surface	Finish/Semi	Size (mm)					Reference
								Grade	B	C	D	E	
4D95	3,260	4	L65901ABA	95.00	D04	NON	F	OD=A	98.00	180.00	104.00	4.00	6207-21-2111
			L65901BBA	95.00	D04	NON	F	OD=B	98.00	180.00	104.00	4.00	6207-21-2121
S6D102	5,900	6	L66904-AA	102.00	D01	NON	S		104.50	200.00	-	-	6736-21-2110
S6D108	7,150	6	L66903-CA	108.00	D05	F	F		115.50	219.50	120.00	5.10	6121-21-2210, 6121-21-2220, 6121-21-2230
S6D105	6,490	6	L56905-BA	105.00	W09	NON	F		118.70	223.00	127.00	10.10	6136-21-2210
			L56905-CA	105.00	W09	F	F		118.70	223.00	127.00	10.10	6137-23-2211
S6D125	11,040	6	L66902-CA	125.00	W09	F	F		141.50	256.30	153.00	10.20	6150-21-2221/2220

DAIHATSU

HINO

ISUZU

KOMATSU

MITSUBISHI

UD TRUCKS

TOYOTA

MAZDA

KIA

Engine Type	Exhaust quantity (c.c.)	Cyl No.	NPR Product Code	Bore/A	Type	Surface	Finish/Semi	Size (mm)				Reference	
								Grade	B	C	D		E
4DQ5	2,084	4	L55111-AA	84.00	D01	NON	S		87.00	162.50	-	-	30607-50301
4D56	2,476	4	L55113-AA	91.10	D01	NON	S		94.10	167.00	-	-	MD168963
4D55	2,346	4	L65112-AA	91.10	D01	NON	S		94.10	164.50	-	-	MD050430
4D56	2,476	4	L65101-AA	91.10	D01	NON	S		94.20	167.00	-	-	MD103648
			L65101-BA	91.10	D01	NON	F		94.20	167.00	-	-	MD168963
4DR51	2,659	4	L55114-AA	92.00	D01	NON	S		95.00	176.00	-	-	ME001245
S4S	3,331	4	L65104-AA	94.00	D01	NON	S		98.00	185.50	-	-	32A07-00300
4M40	2,835	4	L65126-AA	95.00	D01	NON	S		99.00	190.00	-	-	
S4E2	2,609	4	L65115-AA	98.00	D01	NON	S		101.70	168.50	-	-	34407-05400
4D31	3,298	4	L66102-AA	100.00	D01	NON	S		104.00	191.50	-	-	ME011604
S4K S6KT	6,380	4, 6	L66103-AA	102.00	D01	NON	S		105.00	196.00	-	-	34307-00501
			L66116-AA	104.00	D01	NON	S		107.00	192.00	-	-	ME012900
6DS1	4,678	6	L12641-DD	95.00	W02	NON	F		108.00	191.20	115.00	10.00	ME020306
4D34	3,907	4	L66117-AA	104.00	D01	NON	S		108.00	197.50	-	-	ME013366
6DS7	5,430	6	L15203-AC OLD	98.00	W09	NON	F		110.00	201.20	117.00	10.00	ME021843
			L15203-BA NEW	98.00	W08	NON	F		110.00	206.20	117.00	10.00	ME029187
4D33	4,214	4	L66118-AA	108.00	D01	NON	S		112.00	198.00	-	-	ME013333
6D15T		6	L66113-CA	113.00	D03	F	F		117.00	206.00	125.00	8.00	ME071086
6D15T2	6,919	6	L66105ACA	113.00	D05	F	F	A	117.00	206.00	125.00	8.00	ME071090
			L66105BCA	113.00	D05	F	F	B	117.00	206.00	125.00	8.00	ME071091
			L66105CCA	113.00	D05	F	F	C	117.00	206.00	125.00	8.00	ME071092
			L66105-CA	113.00	D03	F	F		117.00	206.00	125.00	8.00	ME07089
6D10	5,974	6	L16128-AA	105.00	W04	NON	F		119.00	205.80	125.60	10.00	ME031502, ME031503, ME031504
6D14	6,557	6	L16131-AB	110.00	W13	NON	F		122.00	206.00	130.60	10.00	ME071178, ME071179, ME071180

Engine Type	Exhaust quantity (c.c.)	Cyl No.	NPR Product Code	Bore/A	Type	Surface	Finish/Semi	Size (mm)					Reference
								Grade	B	C	D	E	
6M60	7,545	6	L16641-AA (TCC-G-905)	118.00	D03	F	F	1A	122.00	210.50	128.00	8.00	ME071937
			L16641-BA (TCC-G-906)	118.00	D03	F	F	2A	122.00	210.50	128.00	8.00	ME071938
			L16641-CA (TCC-G-907)	118.00	D03	F	F	3A	122.00	210.50	128.00	8.00	ME071939
			L16641-DA (TCC-G-908)	118.00	D03	F	F	1B	122.00	210.50	128.00	8.00	ME071940
			L16641-EA (TCC-G-909)	118.00	D03	F	F	2B	122.00	210.50	128.00	8.00	ME071941
			L16641-FA (TCC-G-910)	118.00	D03	F	F	3B	122.00	210.50	128.00	8.00	ME071942
6D16	7,545	6	L16189AGA	118.00	D03	F	F	1A	122.00	206.00	128.00	8.00	ME041102
			L16189AKA	118.00	D03	F	F	1B	122.00	206.00	128.00	8.00	ME041105
			L16189AHA	118.00	D03	F	F	2A	122.00	206.00	128.00	8.00	ME041103
			L16189ALA	118.00	D03	F	F	2B	122.00	206.00	128.00	8.00	ME041106
			L16189AJA	118.00	D03	F	F	3A	122.00	206.00	128.00	8.00	ME041104
			L16189AMA	118.00	D03	F	F	3B	122.00	206.00	128.00	8.00	ME041107
6D16R	7,545	6	L16189-ZA	118.00	D02	F	F	1A	122.00	209.00	128.00	8.00	ME071225
			L16189ACA	118.00	D02	F	F	1B	122.00	209.00	128.00	8.00	ME071228
			L16189AAA	118.00	D02	F	F	2A	122.00	209.00	128.00	8.00	ME071226
			L16189ADA	118.00	D02	F	F	2B	122.00	209.00	128.00	8.00	ME071229
			L16189ABA	118.00	D02	F	F	3A	122.00	209.00	128.00	8.00	ME071227
			L16189AEA	118.00	D02	F	F	3B	122.00	209.00	128.00	8.00	ME071230
6D17	7,545	6	L16189AUA	118.00	D02	F	F	1A	122.00	209.00	128.00	8.00	ME071538
			L16189AXA	118.00	D02	F	F	1B	122.00	209.00	128.00	8.00	ME071541
			L16189AVA	118.00	D02	F	F	2A	122.00	209.00	128.00	8.00	ME071539
			L16189AYA	118.00	D02	F	F	2B	122.00	209.00	128.00	8.00	ME071542
			L16189AWA	118.00	D02	F	F	3A	122.00	209.00	128.00	8.00	ME071540
			L16189AZA	118.00	D02	F	F	3B	122.00	209.00	128.00	8.00	ME071543

DAIHATSU

HINO

ISUZU

KOMATSU

MITSUBISHI

UD TRUCKS

TOYOTA

MAZDA

KIA

Engine Type	Exhaust quantity (c.c.)	Cyl No.	NPR Product Code	Bore/A	Type	Surface	Finish/Semi	Size (mm)					Reference
								Grade	B	C	D	E	
6D14T		6	L66111-BA	110.00	W11	NON	F		122.00	211.00	131.00	10.00	ME071175
6DB	8,553	6	L66130-BA (L22557-AF)	110.00	W01	NON	F		125.00	270.00	135.00	11.80	30007-62200, ME040040
6D15T 6D15(OLD)		6	L66110-BA	113.00	W02	NON	F		125.00	211.00	133.00	10.00	ME071062
			L66112-BA	113.00	W09	NON	F		125.00	206.00	133.00	10.00	ME031655/56/57
6D15(NEW)			L66120-BA	113.00	W09	NON	F		125.00	206.00	133.00	10.00	ME071041/42/43/44
6D40	13,023	6	L16517APA	135.00	D03	F	F	1A	140.00	259.30	149.00	9.00	ME120025
			L16517ASA	135.00	D03	F	F	1B	140.00	259.30	149.00	9.00	ME120028
			L16517AQA	135.00	D03	F	F	2A	140.00	259.30	149.00	9.00	ME120026
			L16517ATA	135.00	D03	F	F	2B	140.00	259.30	149.00	9.00	ME120029
			L16517ARA	135.00	D03	F	F	3A	140.00	259.30	149.00	9.00	ME120027
			L16517AUA	135.00	D03	F	F	3B	140.00	259.30	149.00	9.00	ME120030
6D20	10,308	6	L16158-LA	125.00	W15	NON	F	A	143.00	261.30	153.00	11.50	ME051554
			L16158-MA	125.00	W15	NON	F	B	143.00	261.30	153.00	11.50	ME051555
			L16158-NA	125.00	W15	NON	F	C	143.00	261.30	153.00	11.50	ME051556
8DC2 6DC2		6, 8	L16021-AH	130.00	W10	NON	F		147.00	229.00	157.00	11.80	31107-02203/ME061158
6D22T	11,149	6	L16165BMA	130.00	W15	NON	F	A	147.00	261.81	156.00	11.50	ME051632
			L16165BNA	130.00	W15	NON	F	B	147.00	261.81	156.00	11.50	ME051633
			L16165BPA	130.00	W15	NON	F	C	147.00	261.81	156.00	11.50	ME051634
8DC81 82	14,886	8	L56122-HA	135.00	W10	DC	F		154.00	229.70	163.00	11.80	ME062379/ME062597/98/99
8DC90	16,031	8	L56123-HA	135.00	W15	DC	F		154.00	259.70	163.00	11.80	ME091488/89
8DC91	16,031	8	L56124-HA	135.00	W10	DC	F		154.00	259.70	163.00	11.80	ME062602/603/604
8DC81 82	14,886	8	L66122-BA	135.00	W10	NON	F		154.00	229.70	163.00	11.80	ME062379/ME062597/98/99
8DC91	16,031	8	L66124-BA	135.00	W10	NON	F		154.00	259.70	163.00	11.80	(ME062602/603/604)

Engine Type	Exhaust quantity (c.c.)	Cyl No.	NPR Product Code	Bore/A	Type	Surface	Finish/Semi	Size (mm)					Reference
								Grade	B	C	D	E	
8DC9	16,031	8	L66106-HA	135.00	W10	DC	F		155.00	259.30	163.00	11.80	ME061782
8DC91	16,031	8	L66107-HA	135.00	W10	CF	F		155.00	259.70	163.00	11.80	ME062602
			L66107-FA	135.00	W10	DC	F		155.00	259.70	163.00	11.80	(ME062602)
8DC10	16,752	8	L66108-BA	138.00	W10	NON	F		155.00	259.70	163.00	13.40	ME062857
8DC11	17,737	8	L66109-HA	142.00	W11	DC	F		161.00	259.50	163.00	15.00	(ME060439)
			L66109-FA	142.00	W11	DC	F		161.00	259.50	163.00	15.00	ME060439
			L66109-BA	142.00	W11	NON	F		161.00	259.50	163.00	15.00	ME060439
6M7	13,023	6	L16517AVA	135.00	D03	F	F	1A	140.00	260.60	149.00	9.00	ME180960
			L16517AYA	135.00	D03	F	F	1B	140.00	260.60	149.00	9.00	ME180963
			L16517AWA	135.00	D03	F	F	2A	140.00	260.60	149.00	9.00	ME180961
			L16517AZA	135.00	D03	F	F	2B	140.00	260.60	149.00	9.00	ME180964
			L16517AXA	135.00	D03	F	F	3A	140.00	260.60	149.00	9.00	ME180962
			L16517BAA	135.00	D03	F	F	3B	140.00	260.60	149.00	9.00	ME180965

DAIHATSU

HINO

ISUZU

KOMATSU

MITSUBISHI

UD TRUCKS

TOYOTA

MAZDA

KIA

Fit for UD TRUCKS NISSAN / UDトラックス
(NISSAN DIESEL / 日産ディーゼル)

DAIHATSU
HINO
ISUZU
KOMATSU
MITSUBISHI
UD TRUCKS
TOYOTA
MAZDA
KIA

Engine Type	Exhaust quantity (c.c.)	Cyl No.	NPR Product Code	Bore/A	Type	Sur-face	Finish/Semi	Size (mm)					Reference
								Grade	B	C	D	E	
SD23/25	2,289	4	L55213-AA	88.50	D04	NON	S		92.00	172.00	98.00	5.00	11012-L2002/04
			L55213-BA	89.00	D04	NON	F		92.00	172.00	98.00	5.00	11012-L2002/04
TD23	2,289	4	L65201-AA	88.50	D04	NON	S		92.00	160.00	98.00	5.00	11012-02N45
			L65201-BA	89.00	D04	NON	F		92.00	160.00	98.00	5.00	11012-02N10
TD25	2,494	4	L55214-AA	92.40	D04	NON	S		95.90	160.00	101.90	5.00	11012-44G40
			L55214-BA	92.90	D04	NON	F		95.90	160.00	101.90	5.00	11012-44G10
TD25/ BD25	2,289	4	L65202-AA	92.90	D04	NON	S		96.00	160.00	102.00	5.00	11012-44G10
TD27	2,664	4	L55215-AA	95.50	D04	NON	S		99.00	160.00	105.00	5.00	11012-43G45
BD30	2,953	4	L55226-BA	96.00	D02	NON	F		99.00	172.50	105.00	5.00	11012-54T00
TD42	4,169	6	L65228-BA	96.00	D02	NON	F		99.00	164.00	105.00	5.00	11012-06J00
TD27	2,664	4	L65203-AA	95.50	D04	NON	S		99.00	160.00	105.00	5.00	11012-43G10
FE6	6,925	6	L16618-DA	108.00	D03	F	F	0	111.00	217.00	116.00	8.00	11012-Z5604
			L16618-GA	108.00	D03	F	F	0	111.00	220.00	116.00	8.00	11012-Z5518
			L16618-EA	108.00	D03	F	F	1	111.00	217.00	116.00	8.00	11012-Z5604
			L16618-HA	108.00	D03	F	F	1	111.00	220.00	116.00	8.00	11012-Z5518
			L16618-FA	108.00	D05	NON	F		111.00	217.00	116.00	8.00	11012-Z5604
			L16618-JA	108.00	D05	NON	F		111.00	220.00	116.00	8.00	11012-Z5518
			L16618-AA	108.00	D03	F	F	0	111.00	212.00	116.00	8.00	11012-Z5616
			L16618-BA	108.00	D03	F	F	1	111.00	212.00	116.00	8.00	11012-Z5617
			L16618-KA	108.00	D03	F	F	2	111.00	212.00	116.00	8.00	
FD42	4,214	4	L66231-BA	108.00	D05	NON	F		111.00	191.00	116.00	8.00	11012-0T000 11012-0T001
FD46	4,617	4	L66232-BA	108.00	D05	NON	F		111.00	215.00	116.00	8.00	11012-0T300 11012-0T301
GH5/ GH7	4,675 7,013		TCC-G-911	110.00	D03	NON	F	0	113.00	225.00	119.00	6.00	52214-09575
			TCC-G-912	110.00	D03	NON	F	1	113.00	225.00	119.00	6.00	52214-09575

Engine Type	Exhaust quantity (c.c.)	Cyl No.	NPR Product Code	Bore/A	Type	Surface	Finish/Semi	Size (mm)					Reference
								Grade	B	C	D	E	
ED33	3,298	4	L56216-BA	100.00	W08	NON	F		112.00	191.00	118.00	8.00	11012-T9002
FD6	5,654	6	L66217-BA	100.00	W02	NON	F		112.00	212.00	118.00	8.00	11012-Z5001 11012-Z5002
FD35	3,465	4	L56226-BA	102.50	W02	NON	F		113.20	191.00	119.20	8.00	11012-01T13
ND(OLD)	6,842	6	L12656AJA	110.00	D05	NON	F		115.00	229.00	119.00	3.00	11012-95001 11012-95002
ND6	6,842	6	L12656AKA	110.00	D05	NON	F	0	115.00	229.00	121.00	3.00	11012-95065
			L12656ALA	110.00	D05	NON	F	1	115.00	229.00	121.00	3.00	11012-95066
NE/ NE6(H)	6,842	6	L12656-WC	110.00	D05	F	F	0	115.00	229.00	119.00	3.00	11012-95005
			L12656-XC	110.00	D05	F	F	1	115.00	229.00	119.00	3.00	11012-95006
NE6TA	7,000	6	L16534-SB	110.00	D03	F	F	0	115.00	229.00	121.00	3.00	11012-95063
			L16534-TB	110.00	D03	F	F	1	115.00	229.00	121.00	3.00	11012-95064
NF6	9,160	6	L66204-CA	120.00	D05	F	F		123.00	226.00	129.00	8.00	11012-95516
MD92	9,203	6	L66230-BA	125.00	D05	NON	F		129.00	200.00	135.00	8.00	11012-Z6008
PD6	10,308	6	L12568-MB	125.00	D05	NON	F	0	130.00	259.00	134.00	3.00	11012-96009
			L12568-MB	125.00	D05	NON	F	1	130.00	259.00	134.00	3.00	11012-96010
			L12568-MB	125.00	D05	NON	F	2	130.00	259.00	134.00	3.00	11012-96011
PE6 PE6T PF6	11,670 12,503	6	L16701-AB	133.00	D05	NON	F		138.00	259.00	144.00	3.00	11012-96565 11012-96575 11012-96576
			L16701-BB	133.00	D05	F	F		138.00	259.00	144.00	3.00	(11012-96565) (11012-96575) (11012-96576)
PE6	11,670	6	L66205-BA	133.00	D05	NON	F		138.00	259.00	142.00	3.00	11012-96500
PE6 PE6T	11,670	6	L66206-BA	133.00	D05	NON	F		138.00	259.00	142.00	3.00	11012-96561 11012-96562
PE6TA	11,670	6	L66223-BA	133.00	D05	NON	F		138.00	259.00	144.00	3.00	11012-96607
RE8	15,115	8	L56224-BA	135.00	W09	NON	F		153.00	236.00	161.00	11.20	11012-97202

DAIHATSU
HINO
ISUZU
KOMATSU
MITSUBISHI
UD TRUCKS
TOYOTA
MAZDA
KIA

Fit for UD TRUCKS NISSAN / UDトラックス
(NISSAN DIESEL / 日産ディーゼル)

DAIHATSU
HINO
ISUZU
KOMATSU
MITSUBISHI
UD TRUCKS
TOYOTA
MAZDA
KIA

Engine Type	Exhaust quantity (c.c.)	Cyl No.	NPR Product Code	Bore/A	Type	Surface	Finish/Semi	Size (mm)					Reference
								Grade	B	C	D	E	
RD8	14,313	8	L56225-GZ	135.00	W09	CF	F		153.00	243.00	161.00	8.20	11012-97063
			L56225-HA	135.00	W09	DC	F		153.00	243.00	161.00	8.20	11012-97062
			L66214-BZ (L56225-BA)	135.00	W09	NON	F		153.00	243.00	161.00	8.20	11012-97025
RE8	15,115	8	L66208-BA	135.00	W09	NON	F		154.00	238.00	161.00	11.10	11012-97161
			L66208-GA	135.00	W09	DC	F		154.00	238.00	161.00	11.10	11012-97161
GE13	13,074	6	L66229-BA	136.00	W10	NON	F		157.50	243.60	166.50	9.65	(11012-00Z11) (11012-00Z13)
			L66229-FA	136.00	W10	DC	F		157.50	243.60	166.50	9.65	11012-00Z11 11012-00Z13
RF8	16,991	8	L66210-GA	138.00	W09	DC	F		160.00	235.80	168.50	12.30	11012-97164
			L66210-BA	138.00	W09	NON	F		160.00	235.80	168.50	12.30	(11012-97164)
			L66211-GA	138.00	W09	DC	F		160.00	235.80	167.00	12.30	11012-97178
			L66211-BA	138.00	W09	NON	F		160.00	235.80	167.00	12.30	(11012-97178)
RG8	17,991	8	L66212-GA	142.00	W10	DC	F		160.00	236.00	167.00	12.30	11012-97219
			L66212-BA	142.00	W10	NON	F		160.00	236.00	167.00	12.30	(11012-97219)
RH8 RH10	21,205	8,	L16638-AA L16638-BA	150.00	D03	NON	F	0	153.00	246.20	161.00	8.00	11012-97261
	26,507	10		150.00	D03	NON	F	1	153.00	246.20	161.00	8.00	11012-97262

Engine Type	Exhaust quantity (c.c.)	Cyl No.	NPR Product Code	Bore/A	Type	Surface	Finish/Semi	Size (mm)				Reference	
								Grade	B	C	D		E
2C	1,974	4	L55307-AA	86.00	D01	NON	S		90.00	158.00	-	-	11461-64060
2J(OLD)	2,481	4	L65301-AA	88.00	D01	NON	S		92.00	183.00	-	-	11461-48010
2J(NEW)	2,481	4	L65302-AA	88.00	D01	NON	S		92.00	184.00	-	-	11461-48011
L	2,188	4	L15287-FA	89.60	D03	NON	S		94.00	160.50	101.00	3.50	11461-54010
			L15455-AA	90.00	D03	NON	F		94.00	160.50	101.00	3.50	11461-54010
2H	3,980	6	L55308-AA	91.00	D03	NON	S		95.00	184.00	100.80	2.55	11461-68010
2L	2,446	4	L55309-AA	92.00	D01	NON	S		96.00	176.00	-	-	11461-54060
1HZ	4,163	6	L65303-AA	94.00	D01	NON	S		98.00	190.20	-	-	11461-17010
11B	2,977	4	L55310-BA	94.50	D03	NON	S		99.00	191.20	105.00	2.50	11461-56030
			L55310-AA	95.00	D03	NON	F		99.00	191.20	105.00	2.50	11461-56030
3L	2,779	4	L55312-AA	96.00	D02	NON	S		100.00	180.00	105.00	3.50	11461-54100
			L55313-AA	96.00	D02	NON	S		100.00	180.00	105.00	3.50	11461-54120
B	2,977	4	L65311-AA	95.00	D03	NON	F		100.00	190.20	108.00	2.50	11461-56010
			L15456-AB	94.60	D03	NON	S		102.00	190.20	108.00	2.50	11461-56020
2B	3,168	4	L55314-AA	98.00	D03	NON	S		102.00	190.20	108.00	2.50	11461-57010
13B	3,431	4	L66304-AA	101.60	D03	NON	S		106.00	190.20	111.70	2.50	11461-58020
3B	3,431	4	L66315-AA	101.60	D03	NON	S		106.00	187.70	111.70	2.50	11461-58010
14B	3,660	4	L66316-AA	101.60	D01	NON	S		106.00	200.00	-	-	11461-58040
2D	6,494	6	L12248-KA	105.00	W11	NON	F		115.50	233.30	121.00	10.00	11461-77021, 11461-77041
			L12248-AB	105.00	W11	NON	F		115.50	242.00	120.00	10.00	SL2248E

DAIHATSU

HINO

ISUZU

KOMATSU

MITSUBISHI

UD TRUCKS

TOYOTA

MAZDA

KIA

Engine Type	Exhaust quantity (c.c.)	Cyl No.	NPR Product Code	Bore/A	Type	Surface	Finish/Semi	Size (mm)					Reference
								Grade	B	C	D	E	
PB	987	4	L15289-AA	68.00	W19	NON	F		77.00	125.00	87.95	8.50	0249-10-311
R2B6	2,148	4	L15577-RC	86.00	D02	F	F	WHITE	89.00	163.35	94.00	2.85	R2B6-10-311B R2B6-10-312B R2B6-10-313B
			L15577-SC	86.00	D02	F	F	YELLOW	89.00	163.35	94.00	2.85	R2B6-10-3B7B
RFT	2,000	4	L15614-SA	86.00	D02	F	F	WHITE	89.00	155.35	94.00	2.85	RFJ5-10-313B
			L15614-TA	86.00	D02	F	F	YELLOW	89.00	155.35	94.00	2.85	RFJ5-10-3B7B
XA	2,552	4	L55908-BA	88.90	D03	NON	F		96.90	189.00	101.00	3.80	S501-23-051
HA	2,977	4	L55909-BA	95.00	D03	NON	F		98.50	191.00	103.50	3.80	SE01-23-051
SLA1	3,500	4	L16191BUB	100.00	D03	F	F	RED	103.00	193.70	108.00	2.50	SLY0-10-313
			L16191BVB	100.00	D03	F	F		103.00	193.70	108.00	2.50	SLY0-10-311
SL	3,500	4	L16191AKB	100.01	D03	F	F	GREEN	103.50	193.70	108.00	2.50	SL01-23-312
			L16191AJB	100.01	D03	F	F	RED	103.50	193.70	108.00	2.50	SL01-23-311
TF01	4,021	4	L16238ACC	105.50	D03	F	F	GREEN	109.00	200.00	114.50	6.00	TFY0-10-311
			L16238ABC	105.50	D03	F	F	RED	109.00	200.00	114.50	6.00	TFY0-10-313
TM	4,553	4	L56910ACA	109.00	D03	F	F	A	112.50	202.50	118.00	6.00	TMY0-10-311
			L56910BCA	109.00	D03	F	F	B	112.50	202.50	118.00	6.00	TMY0-10-313

Engine Type	Exhaust quantity (c.c.)	Cyl No.	NPR Product Code	Bore/A	Type	Surface	Finish/Semi	Size (mm)				Reference	
								Grade	B	C	D		E
JS	2,665	4	L65905-CA	94.50	D05	F	F		97.50	166.40	104.00	3.90	OK65A-10311
JT	2,954	4	L65906-CA	98.00	D05	F	F		101.50	165.50	107.00	2.50	OK75A-10311B

DAIHATSU

HINO

ISUZU

KOMATSU

MITSUBISHI

UD TRUCKS

TOYOTA

MAZDA

KIA

HEAD OFFICE/International Sales Department

No.12-10-5, Honmachi-Higashi, Chuo-Ku, Saitama-City, Saitama JAPAN
Tel : +81-48-856-5022 Fax : +81-48-856-5038

PLANTS

- Tochigi ● Iwate/Ichinoseki, Senmaya ● Fukushima

DOMESTIC SALES OFFICE

- Tokyo Sales Dep. ● Hamamatsu Sales Branch
- Nagoya Sales Dep. ● Osaka Sales Dep.
- Hiroshima Sales Branch ● Fukuoka Sales Branch
- Sendai Sales Branch ● Sapporo Sales Branch

OVERSEAS SALES OFFICE

U.S.A. ● NPR of America, Inc. Los Angeles office <NOA>

7001 Village Drive, Suite 240 Buena Park, CA 90621, U.S.A.
Phone : +1-562-207-6882 Fax : +1-562-207-6883

● NPR of America, Inc. Detroit Office <NOA>

975 S. Opdyke Road, Suite 100 Auburn Hills, MI 48326, U.S.A.
Phone : +1-248-449-8955 Fax : +1-248-449-6705

EUROPE ● NPR of Europe GmbH <NOE>

Siemensstr, 56 70825 Korntal-Münchingen F. R. GERMANY
Phone : +49-7150-9163-0 Fax : +49-7150-9163-100

ASIA ● NPR of Singapore Pte.Ltd <NPRS>

28 Pioneer Crescent, #05-13, West Park BizCentral,
628559 SINGAPORE
Phone : +65-6466-3922 Fax : +65-6468-3966

● E.A.Associates Sdn.Bhd.

No.4A(1st Floor)Jalan SS 15/8B 47500 Subang jaya Selangor
Darul Ehsan MALAYSIA
Phone : +60-3-5634-8900 Fax : +60-3-5634-8901



NIPPON PISTON RING CO.,LTD.

URL <http://www.npr.co.jp>

